

# PRD 3ft direct

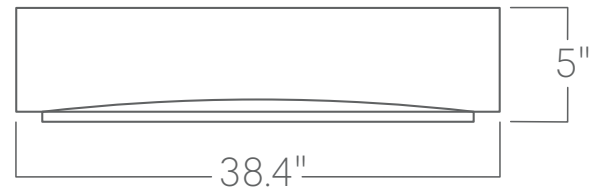


Our Performance Decorative luminaires offer a variety of decorative forms and sizes suitable for any modern space.

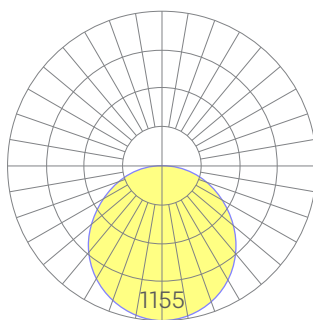
## Features

- Cold-rolled steel housing
- Specifiable color temperature. CRI > 90, R9 >50
- Integral, specifiable dimmable drivers or PoE
- Custom colors and wood finishes finishes available
- 5 Year, 50,000 hour warranty, damp location rated
- WELL Building Standard compatible [learn more](#)

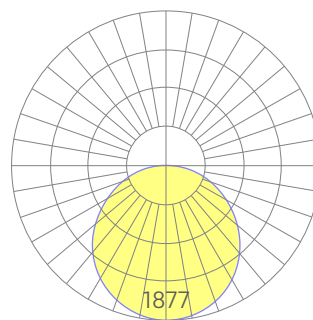
## Dimensions



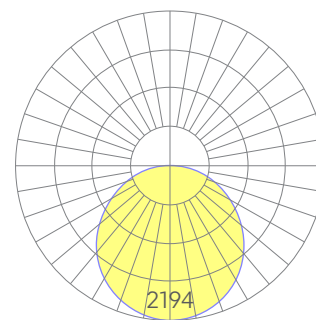
## Optics



low



medium



high

Representative distribution and peak candela. For other options see order information or IES files [here](#).

# PRD 3ft direct

## Ordering Information

-  -  -  -  -  -  -  -  -  -  -

Example: PRD - X - 35 - MED - UNV - DB - W - AC - SD - CCS - DAYCKT - NA

Fixture ID	1	Size	2	Color Temperature	3	Output	4
PRD		3 3 ft		<b>27</b> 2700K/90 CRI <b>30</b> 3000K/90 CRI <b>35</b> 3500K/90 CRI <b>40</b> 4000K/90 CRI <b>50</b> 5000K/90 CRI  <b>WD<sup>1</sup></b> Warm Dim 2200K–3000K <b>TW<sup>2</sup></b> Tunable White 2700K–6500K  <small><sup>1</sup>Must use WD10 driver. <sup>2</sup>Must use TW10 or PSQ driver.</small>		<b>LOW</b> Low output <b>MED</b> Medium output <b>HIGH</b> High output <b>CUST</b> Custom output <sup>1</sup>  <small><sup>1</sup>consult factory</small>	
Voltage	5	Driver	6	Finish	7	Mounting	8
<b>UNV</b> Universal (120/277V) <b>347V<sup>1</sup></b> 347V		<b>DB</b> Standard 0-10V 1% <b>DB.1%</b> 0-10V 0.1% <b>ELV<sup>2</sup></b> Reverse Phase 1% (120V only) <b>TRI<sup>2</sup></b> Forward phase (120V only) <b>LDE1</b> Lutron Digital EcoSystem <b>DALI</b> DALI-2 Driver <b>PoE</b> Power over ethernet. <b>TW10</b> Dual channel, 0-10V for tunable white. <b>WD10</b> 0-10V Warm Dim <b>PSQ</b> Lutron T-Series 2-channel 1% for tunable white <b>DMX<sup>1</sup></b> DMX512  <small><sup>1</sup>Set to default address 001. Contact us for other addressing needs. <sup>2</sup>For compatible dimmers, click <a href="#">here</a>.</small>		<b>W</b> White <b>BLK</b> Black <b>SLV</b> Silver <b>CC<sup>1</sup></b> Custom Color <b>CWF<sup>1</sup></b> Custom Wood Finish  <small><sup>1</sup>Custom Color. See finish options <a href="#">here</a>. White SJ cord and canopy provided; for other requests, see section 12 to specify.</small>		<b>AC</b> Aircraft Cable (50") <b>SM</b> Surface Mount <b>PS-X</b> Pendant Stem (12", 18", 24", 36", 48")  <small>White stems and canopy provided. Must specify other requests.</small>	
Optics	9	Sensors/Controls	10	Circuit	11	Options	12
<b>SD</b> Standard Diffuser <b>DL</b> 1/2" Drop Lens		<b>NA</b> None <b>ACM</b> Acuity nLight Module Only <b>CCS</b> Casambi Module <b>AWNRR</b> Lutron Athena Wireless Node Module  <small>Consult factory for other options.</small>		<b>NA</b> None <b>EMPCK</b> Emergency Battery Pack <b>EMCKT</b> Emergency Circuit <b>DAYCKT</b> Daylight Circuit		<b>NA</b> None	

## Performance

Output <sup>1</sup>	Watts	Lumens
Low	40	3292
Medium	65	5350
High	76	6254

<sup>1</sup>Based on a typically configured 90 CRI, 3500K luminaire using one driver.

Custom outputs available. Please consult factory.  
For 4000K multiply by 1.05; for 3000K 0.96; for 2700K, 0.92

## Technical Information



click [here](#) or scan QR code

Wiring diagrams, PoE and sensor details

Modification date: January 2023

Page 2 of 3

# PRD 3ft direct

## Drivers & Electrical

Integral drivers\* with 0-10V Dimming standard. Several other driver options available; see ordering information.

\*DMX drivers are provided in remote enclosures.

## Emergency Back-Up

Emergency, battery-powered drivers are available. Emergency circuits for use with building generators are also available.

## PoE (Power over Ethernet)

Compatible with virtually all PoE systems including Moxel Coresync, Igor, Smartengine, Platformatics, and NuLED SPICEbox. Consult Factory for systems not listed, See [here](#) for more info.

## Weight

15 lbs

## Optics

Custom opal lens provides excellent diffusion, high transmission, and no LED imaging.

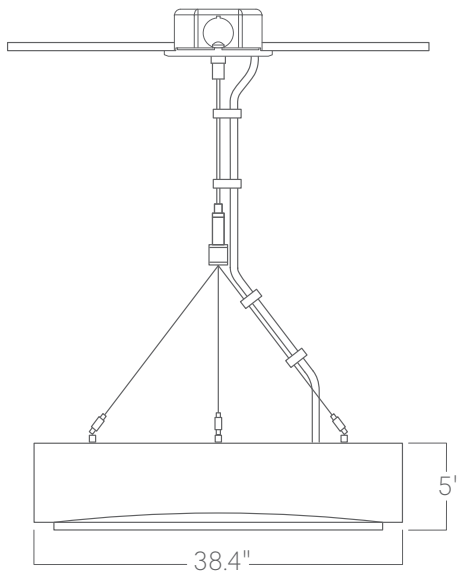
## Construction

Cold-rolled steel.

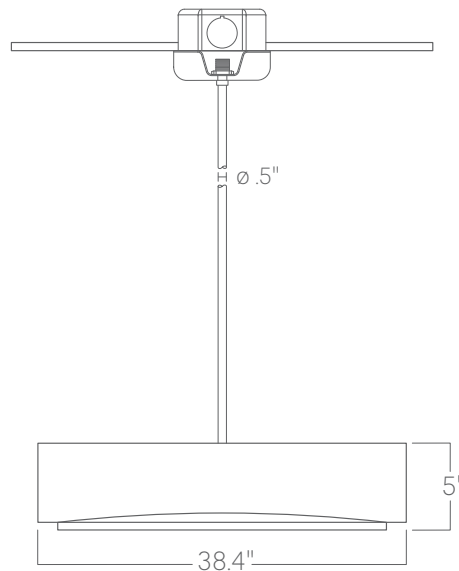
## Finishes

All luminaires are finished in high quality polyester powder coating. Our standard color is white. Any RAL color may be specified.

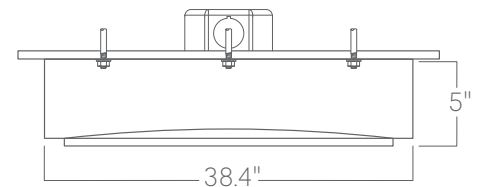
## Mounting



**Aircraft cable**



**Pendant stem**



**Surface mount**