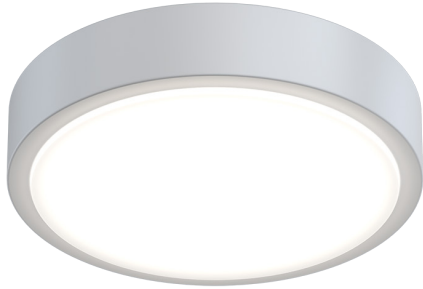


# PRD 18in direct

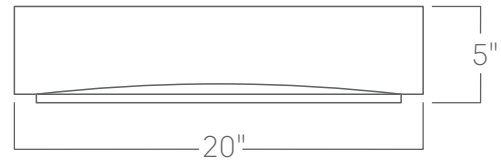


Our Performance Decorative luminaires offer a variety of decorative forms and sizes, suitable for any modern space.

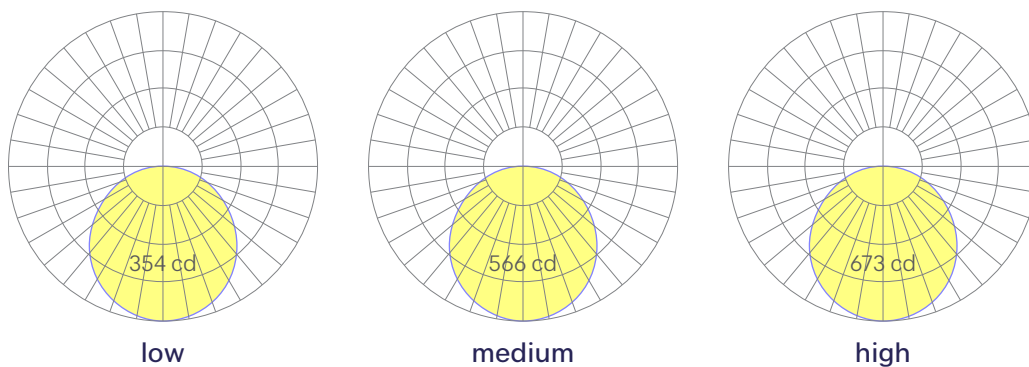
## Features

- Cold-rolled steel housing
- Specifiable color temperature. CRI > 90, R9 > 50
- Integral, specifiable dimmable drivers or PoE
- Custom colors and wood finishes available
- 5 Year, 50,000 hour warranty, damp location rated
- WELL Building Standard compatible [learn more](#)

## Dimensions



## Optics



Representative distribution and peak candela. For other options see order information or IES files [here](#).

# PRD 18in direct

## Ordering Information

For each option group below specify one option. If you don't see your preferred option listed, contact us for [help](#).

1	Fixture ID	2	Length	3	Color Temperature	4	Output
	<b>PRD.18</b>	<b>18</b>	18-inch nominal diameter	<b>27</b>	2700K/90 CRI	<b>LOW</b>	Low output
				<b>30</b>	3000K/90 CRI	<b>MED</b>	Medium output
				<b>35</b>	3500K/90 CRI	<b>HIGH</b>	High output
				<b>40</b>	4000K/90 CRI	<b>CUST</b>	Custom output Specify watts or lumens.
				<b>50</b>	5000K/90 CRI		
				<b>TW</b>	Tunable White 2700K-6500K Must use TW10 driver.		
				<b>WD</b>	Warm Dim 2200K-3000K Must use WD10 driver.		
5	Voltage	6	Driver	7	Finish	8	Mounting
	<b>UNV</b> Universal (120/277V)	<b>DB</b> Standard 0-10V 1%		<b>W</b> White		<b>AC.CENT</b> Central canopy 50 in. steel cable provided; White canopies & power cord.	
	<b>347V</b> 347V	<b>DB.1%</b> 0-10V 0.1%		<b>BLK</b> Black		<b>AC.MULT</b> Individual suspension points 50 in. steel cable provided; White canopies & power cord.	
		<b>ELV</b> Reverse phase 1% (120V only)		<b>CC</b> Custom color <a href="#">See finish options here</a>		<b>SM</b> Surface Mount	
		<b>TRI</b> Forward phase		<b>SLV</b> Silver		<b>PS.X</b> Pendant stem with standard 5-inch canopy. 12, 18, 24, 36, or 48 in. Consult factory for lengths not shown.	
		<b>LDE1</b> Lutron Digital EcoSystem				<b>PSFC</b> Field cuttable pendant stem 94 in. stem field cuttable to any length.	
		<b>DALI</b> DALI-2 driver					
		<b>PoE</b> Power over ethernet					
		<b>TW10</b> 2 channel 0-10V for tunable white					
		<b>WD10</b> 0-10V warm dimming					
		<b>DMX</b> DMX512 All DMX drivers set to default address 001 and provided in remote enclosers. Contact us for other addressing needs.					
		<b>JA8</b> JA8 compliant 1% dimming					
9	Optics	10	Sensors/Controls	11	Circuit	12	Options
	<b>SD</b> Standard diffuser	<b>NA</b> None		<b>NA</b> None		<b>NA</b> None	
	<b>DL</b> 1/2 inch drop lens	<b>ACM</b> Acuity nLight- module only		<b>EMPCK</b> Emergency battery pack		<b>STD</b> White canopy/cord/stem	
		<b>CCS</b> Casambi module		<b>EMCKT</b> Emergency circuit May require additional power feeds.		<b>CAN.X</b> Canopy + color <a href="#">See finish options here</a>	
		<b>AWNR</b> Lutron Athena wireless node		<b>DAYCKT</b> Daylight circuit May require additional power feeds.		<b>SJ.BLK</b> Black cord	
		<b>OTHER</b> Consult factory				<b>SJ.WHT</b> White cord	

## Performance

Output <sup>1</sup>	Watts	Lumens	LPW
Low	15	1025	68
Medium	24	1640	68
High	29	1947	67

<sup>1</sup>Based on a typically configured 90 CRI, 3500K luminaire using one driver.  
Custom outputs available. Please consult factory.  
For 4000K multiply by 1.05; for 3000K, 0.9; for 2700K, 0.92.  
For Warm Dim multiply by .80.

## Technical Information



click [here](#) or scan QR code

Wiring diagrams, PoE and sensor details

# PRD 18in direct

## Drivers & Electrical

Integral drivers\* with 0-10V Dimming standard. Several other driver options available; see ordering information.

\*DMX drivers are provided in remote enclosures.

## Emergency Back-Up

Emergency, battery-powered drivers are available. Emergency circuits for use with building generators are also available.

## PoE (Power over Ethernet)

Compatible with virtually all PoE systems including Moxel Coresync, Igor, Smartengine, Platformatics, and NuLED SPICEbox.

Consult factory for systems not listed. See [here](#) for more info.

## Weight

20 lbs

## Optics

Custom opal lens provides excellent diffusion, high transmission, and no LED imaging.

## Construction

Cold-rolled steel.

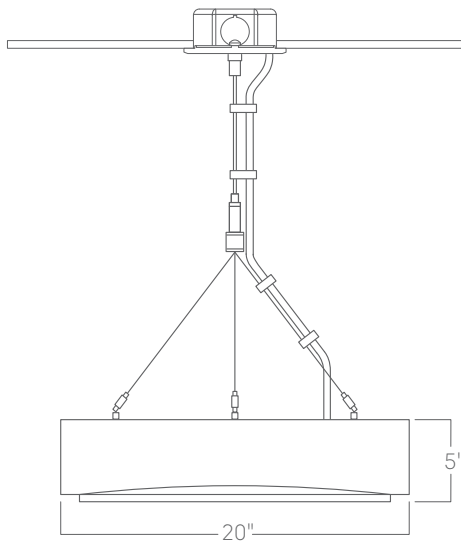
## Finishes

All luminaires are finished in high quality polyester powder coating. Our standard color is white. Any RAL color may be specified.

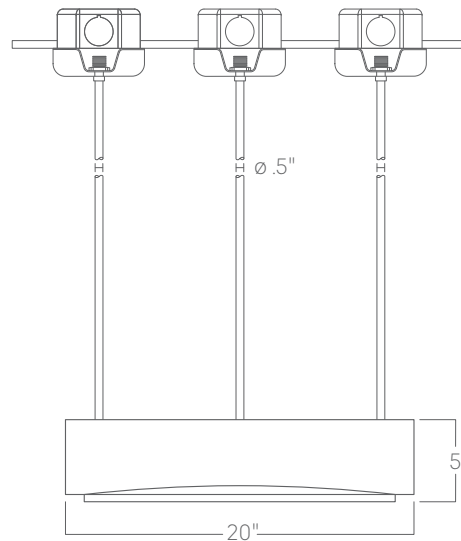
# PRD 18in direct

## Mounting Options

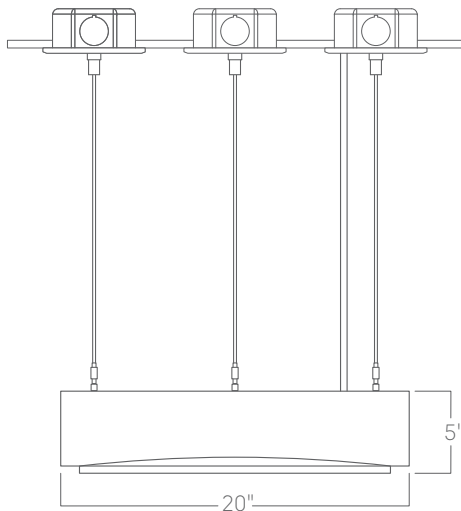
Custom mounting types and ceiling transitions available; consult factory.  
Mounting and power feed locations will be added to approval drawings on request.



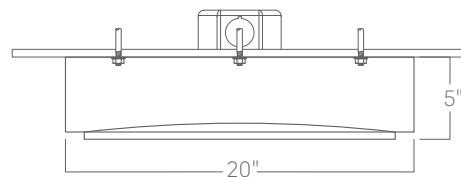
**Aircraft cable  
(Single canopy at the center)**



**Pendant stem (3 stems)**



**Aircraft cable (individual susp. points)**



**Surface mount**

Please consult factory shop drawings for suspension points.

To prevent damage to fixtures, factory designated suspension points must not be field altered.

Do not attempt installation if you do not understand the installation instructions.