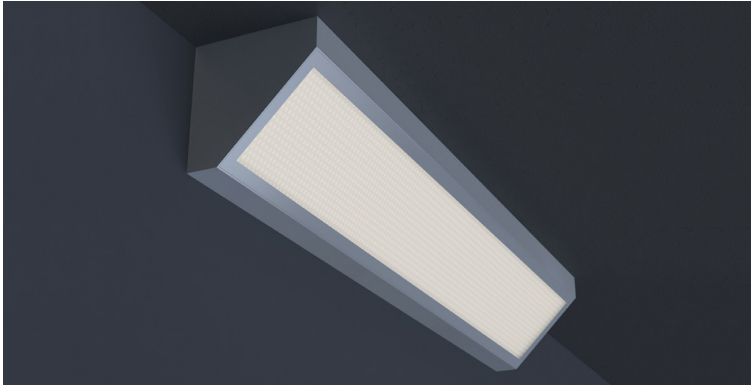


DATE _____ PROJECT _____ FIRM _____ TYPE _____



FEATURES

- Continuous Row Mounting
- Damp Location Rated
- CRI 90+ Standard; R9>50
- 5 Year, 50,000 Hour Fixture Warranty
- 2700K, 3000K, 3500K, 4000K & 5000K Color Temperatures Available
- Available with PoE- [See More](#)

APPLICATIONS Hospitals, Stairwells, Corridors, Fitting Rooms, Stairwells, Nursing Homes

FINISH Standard Powder-Coated White. Custom RAL Colors Available

CONSTRUCTION Die Formed and Spot Welded, Heavy Gauge Cold Rolled Steel Housing

OPTICS Opal White Acrylic Snap-In Lens

FIXTURE RATINGS & CERTIFICATIONS Union Made ETL Listed Made In The USA Damp Location Rated



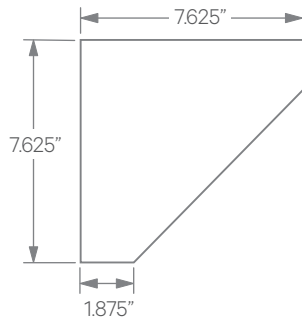
DRIVERS, SENSORS, & POE

For Wiring Diagrams, POE, and Sensor Information Click [Here](#)



ELECTRICAL Integral Driver with 0-10V Dimming Standard. Several Driver Options Available

EXTRUSION DIMENSIONS



LED SYSTEM INFORMATION

	Nominal System Watts	Nominal Delivered Lumens
Standard (LTG1)	29 W	3,665 lm
Low (LTG2)	20 W	2,603 lm
High (LTG3)	40 W	4,903 lm

Based on a 90CRI, 3500K luminaire using one driver. Custom outputs available; specify below.

ORDERING



1 - FIXTURE ID

CCU LED

2 - LENGTH

2 - 2 ft
4 - 4 ft

3 - COLOR TEMP

27 - 2700K/90 CRI
30 - 3000K/90 CRI
35 - 3500K/90 CRI
40 - 4000K/90 CRI
50 - 5000K/90 CRI
WD* - Warm Dim 2200K-3000K
TW** - Tunable White 2700K-6500K
RGBW30*** - RGB + 3000K
RGBW35*** - RGB + 3500K
*Requires WD10 Driver
**Requires DMX or TW10 Driver
***Requires DMX Driver

4 - LED SYSTEM

LTG1 - Standard
LTG2 - Low
LTG3 - High
LTGC - Custom Output

5 - VOLTAGE

UNV - Universal (120/277V)
347V* - 347V
*Must use DB Driver

6 - DRIVER

DB - Standard 1% Dimming (0-10V)
DB.1% - 0.1% Dimming (0-10V)
ELV-TRI - 2-wire 1% Dimming (120V only) ELV and TRIAC Compatible
LDE1 - Lutron Digital EcoSystem
LDE5 - 5 Series EcoSystem; 5% Dimming
DALI - DALI-2 Driver
PoE - Power over Ethernet. Consult Factory for Compatibility
DMX - For Color Tuning and RGBW (Remote)
TW10 - Dual Channel, 0-10V For Color Tuning (CCT and Intensity Control)
WD10 - 0-10V Driver For Warm Dimming

7 - FINISH

W - White (Standard)
CC - Custom Color (provide RAL#)

8 - MOUNTING

SM - Surface Mount

9 - OTHER OPTIONS

EM 120V - Emergency Pack
EM 277V - Emergency Pack
EMCKT - Emergency Circuit