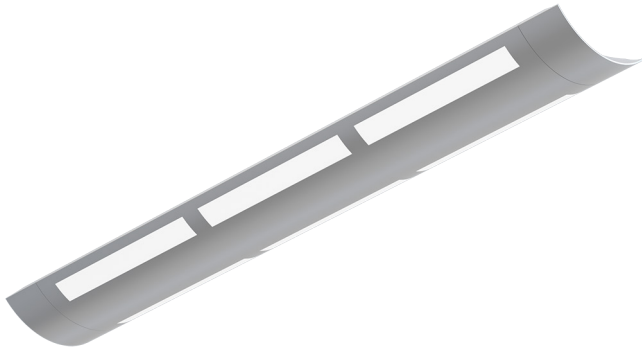


1050 direct

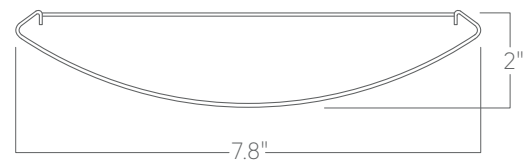


Our linear architectural luminaires offer a wide range of profiles and mounting options. Custom lengths and patterns are tailored to suit any modern space.

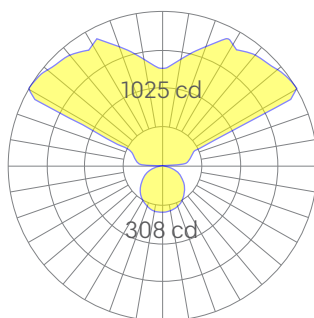
Features

- Semi-indirect distribution
- Aluminum core LED boards, specifiable output
- Specifiable color temperature. CRI > 90, R9 >50
- Continuous row mounting
- Custom finishes available
- Specifiable dimmable drivers or PoE
- 5 Year, 50,000 hour warranty, damp location rated
- 70% indirect, 30% direct distribution

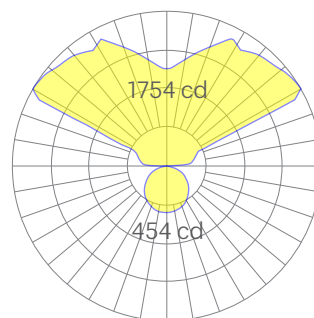
Dimensions



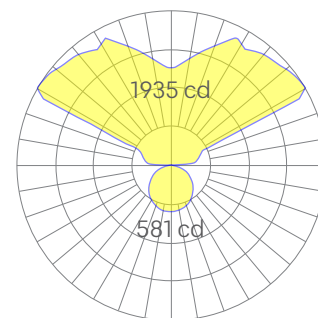
Optics



low



medium



high

Representative distribution and peak candela. For other options see order information. See IES files [here](#).

1050 direct

Ordering Information

- - - - - - - - - - -

Example: 1050-8-35-MED-UNV-DB-W-AC-SD-CCS-DAYCKT-SE

Fixture ID	1	Length	2	Color Temperature	3	Output	4
1050		4 4 ft 8 8 ft X' Specify length <small>Increments of 4' and 8'</small>		27 2700K/90 CRI 30 3000K/90 CRI 35 3500K/90 CRI 40 4000K/90 CRI 50 5000K/90 CRI WD¹ Warm Dim 2200K–3000K TW² Tunable White 2700K–6500K RGBW30³ RGB +white, 3000k RGBW35³ RGB +white, 3500k RGBW40³ RGB +white, 4000k		LOW Low output MED Medium output HIGH High output CUST Custom output ¹	
		<small>All lengths are nominal.</small>		<small>¹Must use WD10 driver. ²Must use TW10 or PSQ driver. ³Must use remote DMX driver. "High" output not available.</small>		<small>¹consult factory</small>	
Voltage	5	Driver	6	Finish	7	Mounting	8
UNV 347V ¹	Universal (120/277V) 347V	DB Standard 0-10V 1% DB.1% 0-10V 0.1% ELV² Reverse Phase 1% (120V only) TRI² Forward phase (120V only) LDE1 Lutron Digital EcoSystem DALI DALI-2 Driver PoE Power over ethernet. TW10 Dual channel, 0-10V for tunable white. WD10 0-10V Warm Dim PSQ Lutron T-Series 2-channel 1% for tunable white DMX¹ DMX512		W White BLK Black SLV Silver CC¹ Custom Color		AC Aircraft Cable (50") AC3.5 3.5" canopy + jbox adaptor ¹	
	<small>¹Must use DB Driver</small>	<small>¹Set to default address 001. Contact us for other addressing needs. ²For compatible dimmers, click here.</small>		<small>¹Custom Color. See finish options here.</small>		<small>¹Adaptor must be mudded-in White stems and canopy provided unless otherwise specified in options (section 11).</small>	
Optics	9	Sensors/Controls	10	Circuit	11	Options	12
SD	Standard Diffuser	NA None ACM Acuity nLight Module Only CCS Casambi Module AWNRR Lutron Athena Wireless Node Module		NA None EMPCK Emergency Battery Pack EMCKT Emergency Circuit DAYCKT Daylight Circuit		SE Spade end caps BN Bullnose end caps	
		<small>Consult factory for other options.</small>					

Performance

Output ¹	Watts/ft	Lumens/ft
Low	10	1097
Medium	16	1598
High	21	2067

¹Based on a typically configured 90 CRI, 3500K luminaire using one driver.

Custom outputs available. Please consult factory.
 For 4000K multiply by 1.05; for 3000K 0.96; for 2700K, 0.92

Technical Information



click [here](#) or scan QR code

Wiring diagrams, PoE and sensor details

Modification date: August 2023

Page 2 of 4

1050 direct

Drivers & Electrical

Integral drivers* with 0-10V Dimming standard. Several other driver options available; see ordering information.

*DMX drivers are provided in remote enclosures.

Controls

Control modules may be mounted within luminaires or remotely.

Emergency Back-Up

For fixtures three-feet or longer, a 4W integral emergency driver may be wired to 4ft sections. 7W, 10W, and 12W drivers are also available (not all integral; consult factory). Emergency circuits for use with building generators are also available.

PoE (Power over Ethernet)

Compatible with virtually all PoE systems including Molex Coresync, Igor, Smartengine, Platformatics, and NuLED SPICEbox. Consult Factory for systems not listed, See [here](#) for more info.

Finishes

All luminaires are finished in high quality polyester powder coating. Our standard color is white. Any RAL color may be specified.

Weight

5 lbs per foot

Optics

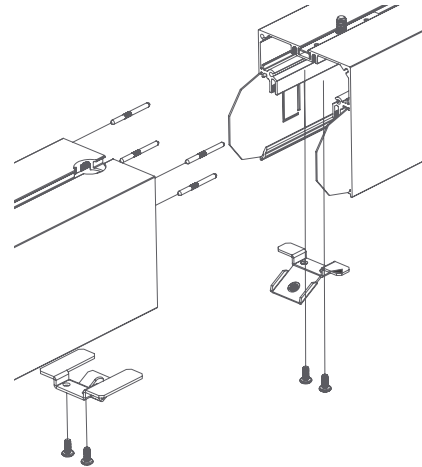
Acrylic overlay slots.

Construction

Housings are cold-rolled steel.

Joined Runs

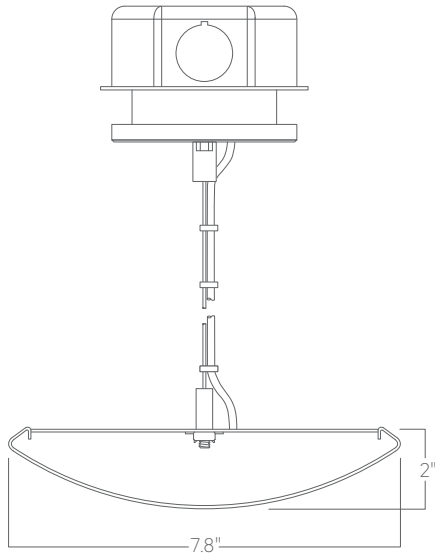
Continuous rows may be specified and are comprised of multiple, factory-engineered, joined sections. Individually specified luminaires are not field joinable.



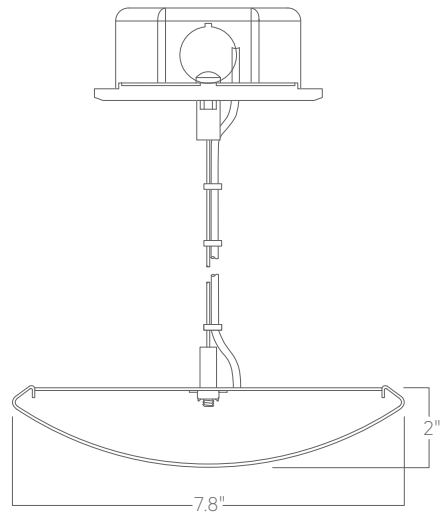
Representative joinery. For product specific details see installation guides or submittal drawings.

Mounting Options

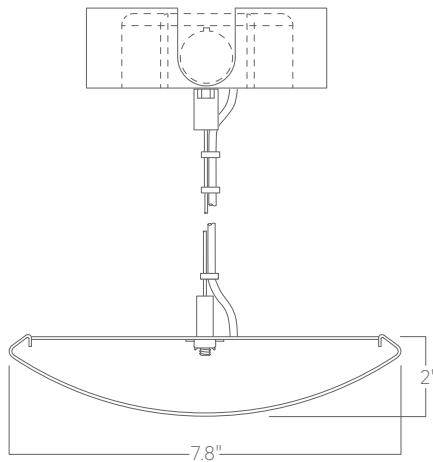
Custom mounting types and ceiling transitions available; consult factory.



**Aircraft cable
3.5" canopy**



**Aircraft cable
5" canopy**



**Aircraft cable
Conduit canopy
with knockouts**