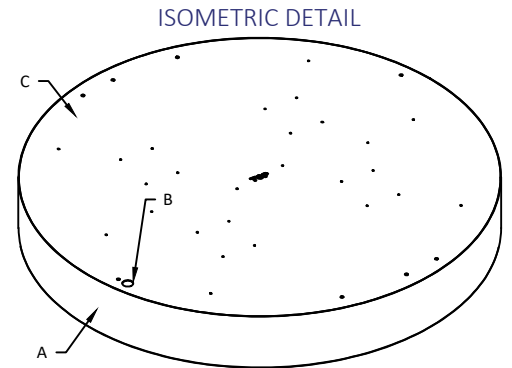
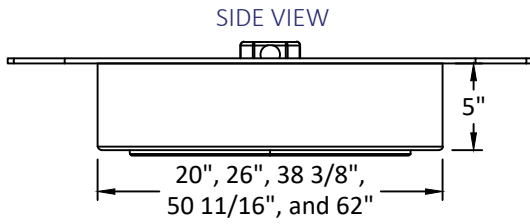


INSTALLATION GUIDE-SURFACE MOUNT



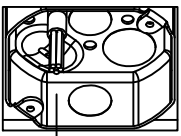
Risk of fire and electrical shock. In accordance with national local building and electrical codes, CORONET lighting fixtures must be installed by a qualified electrician. Disconnect power at electrical panel before servicing.



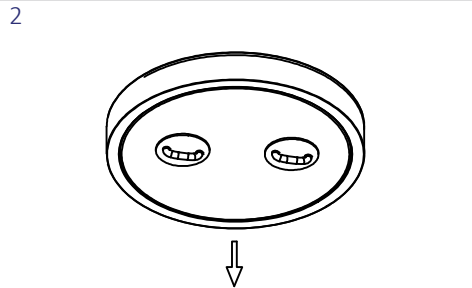
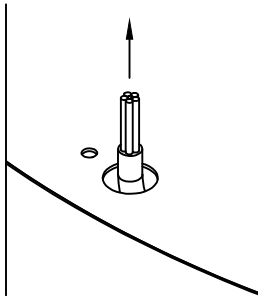
PART LIST

- A-Housing
- B-Power Feed Hole
- C-Back Plate

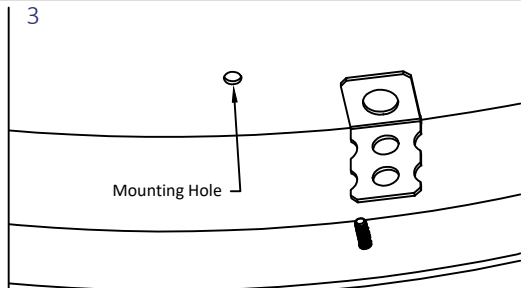
- 1**
- GREEN-GROUND
 - WHITE-NEUTRAL
 - BLACK-LINE
 - GRAY-0-10V DIMMABLE
 - PURPLE-0-10 V DIMMABLE



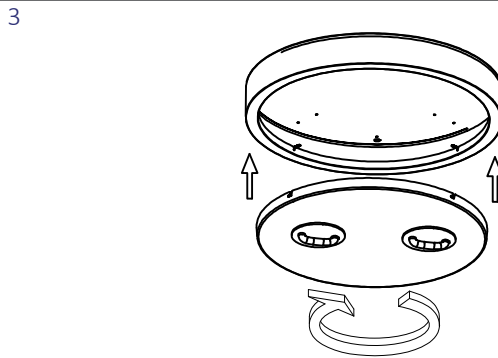
Before mounting the fixture, pull the power cable through the junction box to the cables in the driver box on top of the fixture. Make all necessary electrical connections.



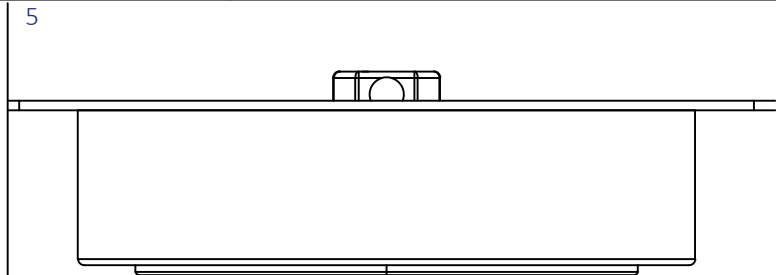
Remove the lens of the fixture by following the Lens Installation Guide.



Secure the fixture to the ceiling using a threaded rod and nut through the drilled out holes in the extrusion (hardware by others).



Reinstall the lens of the fixture by following the Lens Installation Guide.



Power on the light fixture to make sure it functions properly in all aspects.

GENERAL INSTALLATION CONSIDERATIONS - See submittal drawings for job specific data.

Operating Temperature.....-40°C to 50°C
 Operating Voltage.....110VAC-277VAC, 50Hz-60Hz
 Dimensions.....See fixture spec sheets

- Installation by a certified electrician only.
- Read and understand the installation instructions before attempting to install or use the fixture.
- Only use fixtures with voltage for which it is rated. Do not exceed the specified voltage and current input.
- Do not use the fixture if the housing, lens, or power cable is damaged.
- Ensure that the main power supply is off before installing or wiring the fixture.
- Method of wire connection to be determined by local electrical codes and regulations.
- The external flexible cable of this luminaire cannot be field replaced; if the cord is damaged, contact Coronet.
- The light source contained in this luminaire shall only be replaced by the lighting manufacturer or his service agent or a similar qualified person.

Please contact our technical support team for assistance.

*NOTE: JUNCTION BOXES MUST BE SOLIDLY FIXED TO THE CEILING AND ATTACHED TO THE STRUCTURAL MEMBER INSIDE THE CEILING BEFORE PROCEEDING WITH INSTALLATION.