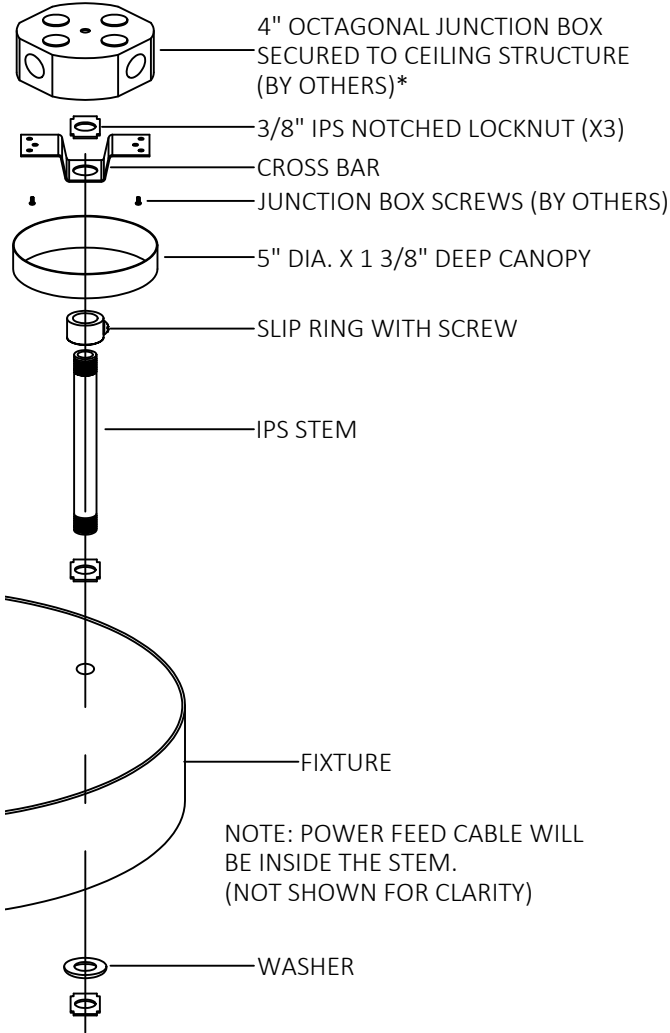


INSTALLATION GUIDE-PENDANT STEM

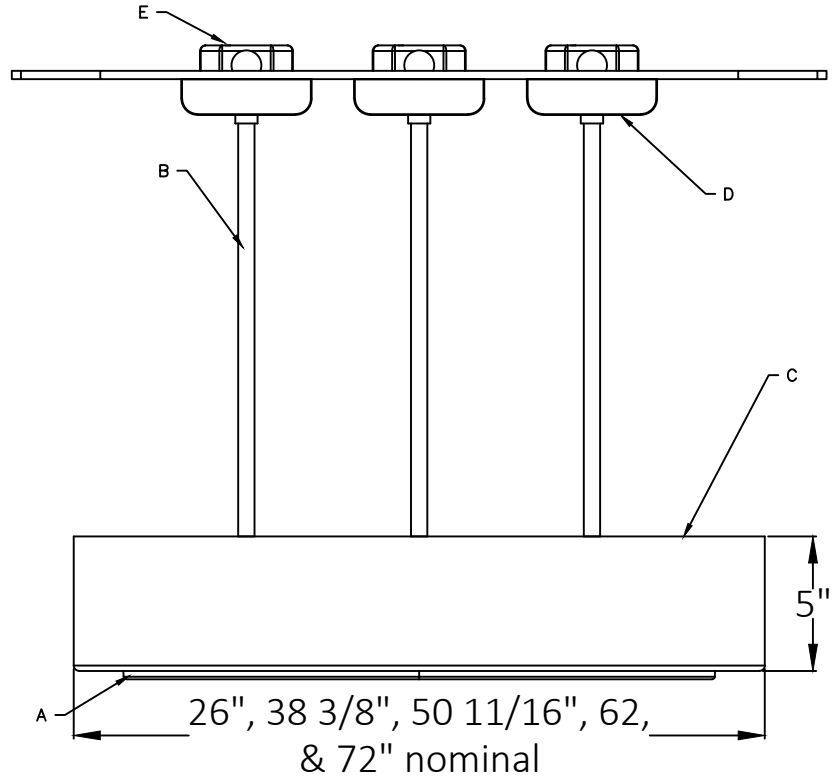


Risk of fire and electrical shock. In accordance with national local building and electrical codes, CORONET lighting fixtures must be installed by a qualified electrician. Disconnect power at electrical panel before servicing.

FEED/NON FEED DETAIL



SIDE VIEW



PART LIST

- A-Lens
- B-Stem
- C-Extrusion
- D-Canopy
- E-Junction Box (by others)

NOTE: LED DRIVERS ARE INTEGRAL EXCEPT FOR SPECIAL CONFIGURATIONS, CONSULT FACTORY.

PRD SUSPENSION STEM COUNT

PRD FIXTURE	
NUMBER OF STEMS	
2FT	3
3FT, 4FT, 5FT, & 6FT	4

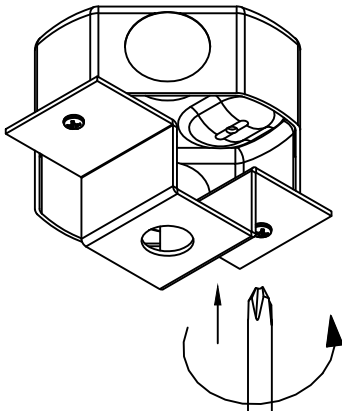
*NOTE: JUNCTION BOXES MUST BE SOLIDLY FIXED TO THE CEILING AND ATTACHED TO THE STRUCTURAL MEMBER INSIDE THE CEILING BEFORE PROCEEDING WITH INSTALLATION.

INSTALLATION GUIDE-PENDANT STEM



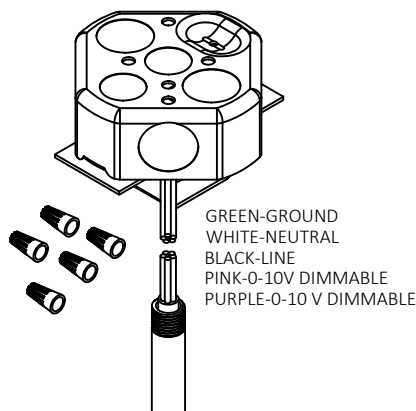
Risk of fire and electrical shock. In accordance with national local building and electrical codes, CORONET lighting fixtures must be installed by a qualified electrician. Disconnect power at electrical panel before servicing.

1



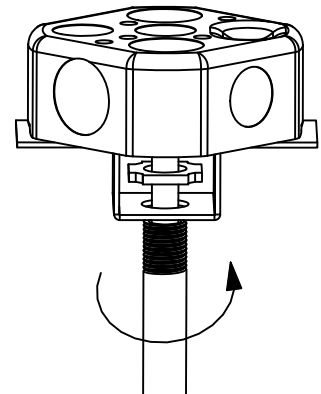
Secure the cross bar to the octagonal junction box with the junction box screws.

2



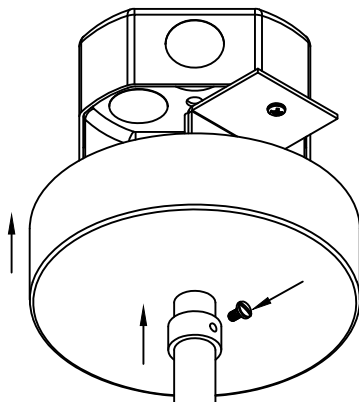
With the power to the fixture circuit off, pull the power feed cable from inside the stem. Connect the fixture power cord to the power feed in the junction box. (Wire connectors by others)

3



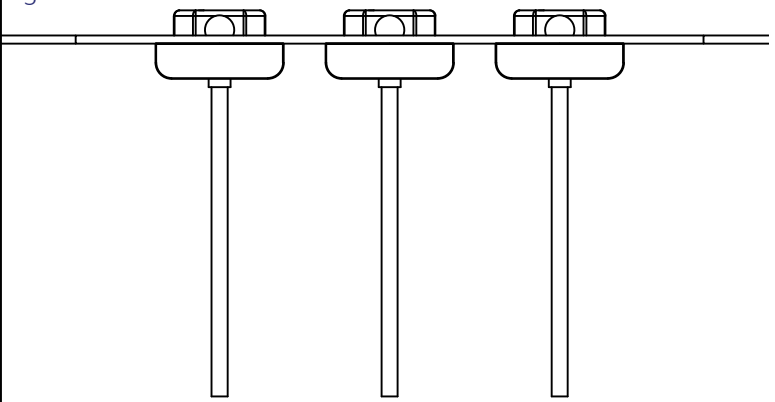
Run the threaded portion of the stem through the cross bar hole and secure it in place with the provided locknut.

4



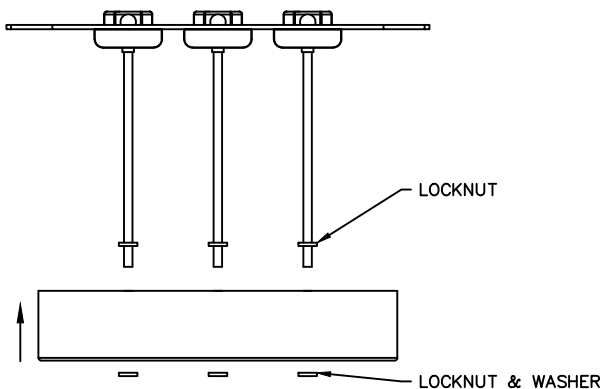
Bring up the canopy and secure it in place with the slip ring and the provided screw.

5



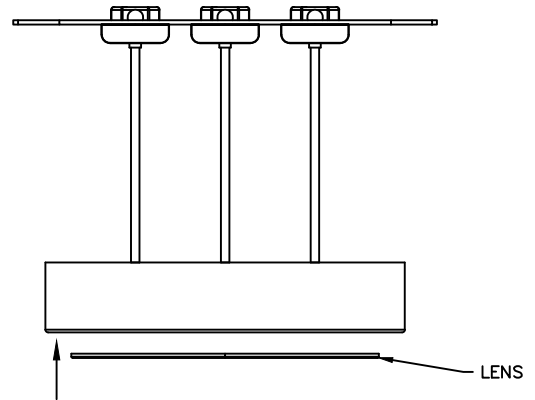
Repeat steps 1-4 to mount the other stems to support the fixture.
Note: The amount of stems will vary based on the size of the fixture. Refer to Page 1.

6



Lift the fixture and lineup the holes at the top with the mounted stems. Secure the stem to the extrusion using the locknut and washers.

7



Install the lens into the fixture following the lens installation guide provided with the fixture.

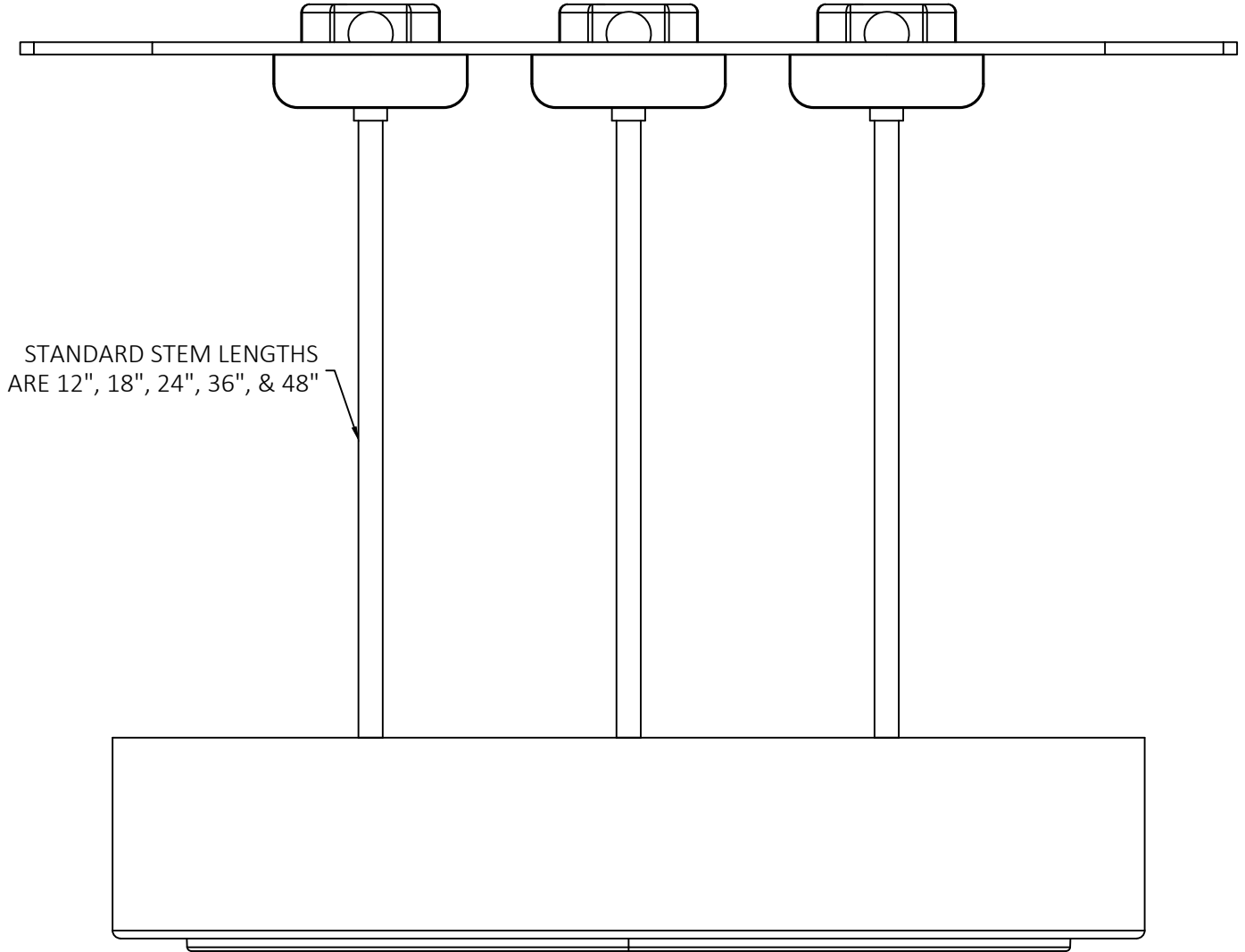
NOTE: JUNCTION BOXES MUST BE SOLIDLY FIXED TO THE CEILING AND ATTACHED TO THE STRUCTURAL MEMBER INSIDE THE CEILING BEFORE PROCEEDING WITH INSTALLATION.

INSTALLATION GUIDE-PENDANT STEM



Risk of fire and electrical shock. In accordance with national local building and electrical codes, CORONET lighting fixtures must be installed by a qualified electrician. Disconnect power at electrical panel before servicing.

9



Power on the fixture and make sure everything works properly.

GENERAL INSTALLATION CONSIDERATIONS - See submittal drawings for job specific data.

Operating Temperature.....	-40°C to 50°C
Operating Voltage.....	110VAC-277VAC, 50Hz-60Hz
Weight.....	N/A
Dimensions.....	See Page 1

- Installation by a certified electrician only.
- Read and understand the installation instructions before attempting to install or use the fixture.
- Only use fixtures with voltage for which it is rated. Do not exceed the specified voltage and current input.
- Do not use the fixture if the housing, lens, or power cable is damaged.
- Ensure that the main power supply is off before installing or wiring the fixture.
- Method of wire connection to be determined by local electrical codes and regulations.
- The external flexible cable of this luminaire cannot be field replaced; if the cord is damaged, contact Coronet.
- The light source contained in this luminaire shall only be replaced by the lighting manufacturer or his service agent or a similar qualified person.

Please contact our technical support team for assistance.

NOTE: JUNCTION BOXES MUST BE SOLIDLY FIXED TO THE CEILING AND ATTACHED TO THE STRUCTURAL MEMBER INSIDE THE CEILING BEFORE PROCEEDING WITH INSTALLATION.