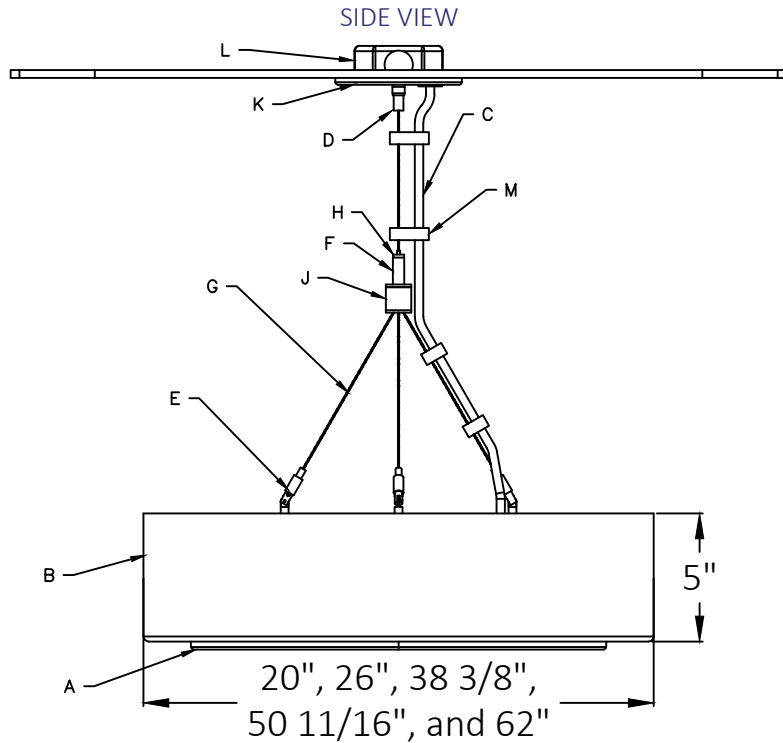




Risk of fire and electrical shock. In accordance with national local building and electrical codes, CORONET lighting fixtures must be installed by a qualified electrician. Disconnect power at electrical panel before servicing.



PART LIST

- A-Lens
- B-Housing
- C-Power Cable
- D-Cable Coupler
- E-Male Cable Gripper
- F-Female Gripper
- G-Aircraft Cable
- H-Female Gripper Securing Ring
- J-Multiple Cable Barrel Coupler
- K-Canopy
- L-Junction Box (by others)
- M-Wire Tie

1

Screw the provided 1/4-20 hanging screw before attaching the cross bar to the junction box.

2

Secure the cross bar to the octagonal junction box with the junction box screws.

3

Run the aircraft cable through the cable coupler and the power feed cable through the canopy respectively.

4

GREEN-GROUND
WHITE-NEUTRAL
BLACK-LINE
GRAY-0-10V DIMMABLE
PURPLE-0-10 V DIMMABLE

With the power to the fixture circuit off, connect the fixture power cord to the power feed in the junction box. (Wire connectors by others)

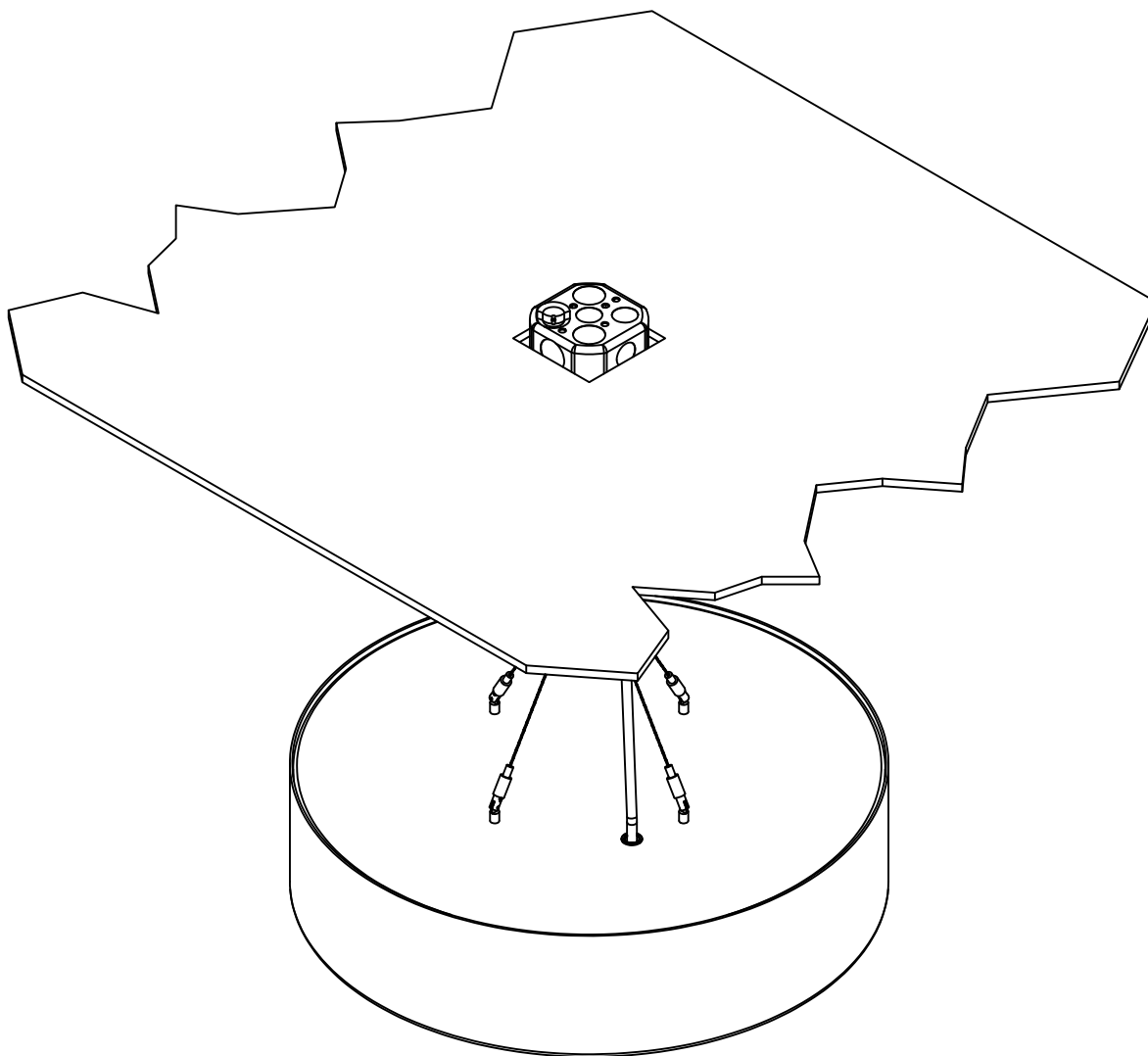
NOTE: For steps on how to assemble the female cable gripper to the canopy along with the aircraft cable, please refer to the separate installation guide on "PRD & RING CABLE GRIPPER INSTALLATION GUIDE".

*NOTE: JUNCTION BOXES MUST BE SOLIDLY FIXED TO THE CEILING AND ATTACHED TO THE STRUCTURAL MEMBER INSIDE THE CEILING BEFORE PROCEEDING WITH INSTALLATION.



Risk of fire and electrical shock. In accordance with national local building and electrical codes, CORONET lighting fixtures must be installed by a qualified electrician. Disconnect power at electrical panel before servicing.

5



Adjust the fixture to the desired height making sure to be level as well. Power on the light fixture to make it functions properly in all aspects.

GENERAL INSTALLATION CONSIDERATIONS - See submittal drawings for job specific data.

Operating Temperature.....-40°C to 50°C
Operating Voltage.....110VAC-277VAC, 50Hz-60Hz
Dimensions.....See submittal drawings

Suspended Weight

2FT - N/A
3FT - N/A
4FT - N/A

- Installation by a certified electrician only.
- Read and understand the installation instructions before attempting to install or use the fixture.
- Only use fixtures with voltage for which it is rated. Do not exceed the specified voltage and current input.
- Do not use the fixture if the housing, lens, or power cable is damaged.
- Ensure that the main power supply is off before installing or wiring the fixture.
- Method of wire connection to be determined by local electrical codes and regulations.
- The external flexible cable of this luminaire cannot be field replaced; if the cord is damaged, contact Coronet.
- The light source contained in this luminaire shall only be replaced by the lighting manufacturer or his service agent or a similar qualified person.

Please contact our technical support team for assistance.

NOTE: JUNCTION BOXES MUST BE SOLIDLY FIXED TO THE CEILING AND ATTACHED TO THE STRUCTURAL MEMBER INSIDE THE CEILING BEFORE PROCEEDING WITH INSTALLATION.