



DATE

JOB NAME

TYPE

**Features** **Applications**

- |   |   |
|---|---|
| <ul style="list-style-type: none"> <li>• Vandal-proof, luminaire for surface wall or ceiling mounting</li> <li>• 50,000 hour life; 5 year warranty</li> <li>• Polycarbonate, High-Impact Lens</li> <li>• Uses LED boards</li> <li>• Wet Location label</li> </ul> | <ul style="list-style-type: none"> <li>• Public Areas</li> <li>• Food Processing</li> <li>• Refrigerated Storage</li> <li>• Parking Structures</li> <li>• Car Washes</li> <li>• Construction Sites</li> </ul> |
|---|---|

Series	Size	LED System	Color Temp	Voltage	Mounting	Options
<b>VDP LED</b>	<b>4FT</b>	<b>LTG1-</b> Standard <b>LTG2-</b> Low <b>LTG3-</b> High <b>C-</b> Custom Package (Consult Factory)	<b>3000K</b> <b>3500K</b> <b>4000K</b> <b>5000K</b>	<b>120</b> <b>277</b> <b>UNV</b>	<b>SM-</b> Surface Mounted <b>AC-</b> Air Craft Cable Mounting Kit	<b>EM-</b> EM Pack <b>DB-</b> Standard 10% Dimming Driver (0-10V) <b>DB1%-</b> 1% Dimming Driver (0-10V) <b>LUTRON 2-</b> Hi-Lume Dimming Driver; 120V (1% 2-wire control) <b>LUTRON 3-</b> Hi-Lume Dimming Driver (1% 3-wire control) <b>MS-</b> Motion Sensor

Ordering Example: VDP LED-4FT-LTG1-3500K-UNV-SM-MS

**LED System Information**

**Options:**

NOMINAL PACKAGE	NOMINAL SYSTEM WATTS	NOMINAL DELIVERED LUMENS
<b>LTG1 (STANDARD)</b>	135W	14,940Lm
<b>LTG2 (LOW)</b>	120W	12,285Lm
<b>LTG3 (HIGH)</b>	235W	21,130Lm

**Color Temperature Pro-rate:**

CCT	OUTPUT
2700K	93%
3000K	95%
3500K	97%
4000K	100%
5000K	103%

\*\*\*FOR ANY CUSTOM LED PACKAGE REQUESTS CONSULT FACTORY

**Details**

**Application Features:** Specification grade, surface mounted vapor proof luminaire. For use in exterior applications where a LED enclosed and gasketed fixture with clear acrylic impact resistant lens is required. Available in 4' length only.

**Construction:** One piece fiberglass housing with linear ribbed acrylic diffuser, polycarbonate latches and stainless steel hardware. Gasket seals around the enclosure to prevent from dust, vapors and moisture. Removeable gear tray provides easy access to wiring compartment and driver. Knock-outs provided on ends of housing for through wiring.

**Approvals:** Union made, ETL listed, and manufactured in the US; IP65, IP66, IP67 and NEMA 4X rated.

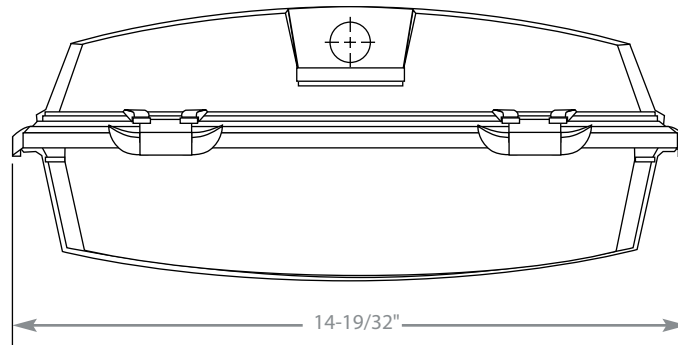
**Optics:** Specular reflector with 92% reflectivity and injection molded, clear acrylic high impact lens, diffuser with linear prisms on sides and frosted ends to reduce glare

**Options:** Emergency Battery Backup (must specify voltage), Separate Circuit, and Motion Sensor.



DISCLAIMER: CORONET INC RESERVES THE RIGHT TO MAKE ANY DESIGN CHANGES FOR CONTINUOUS IMPROVEMENT WHICH WILL NOT AFFECT THE OVERALL APPEARANCE OR PERFORMANCE. ALL CEILINGS ARE TO BE ADEQUATELY REINFORCED BY OTHERS BEFORE INSTALLATION. ALL FIXTURES ARE TO BE WIRED BY A CERTIFIED ELECTRICIAN ONLY. THIS INFORMATION IS PROPERTY OF CORONET INC., AND THE INFORMATION IT CONTAINS MAY NOT BE USED WITHOUT ANY WRITTEN CONSENT OF CORONET INC.

END VIEW



SIDE VIEW

