

VDP LED

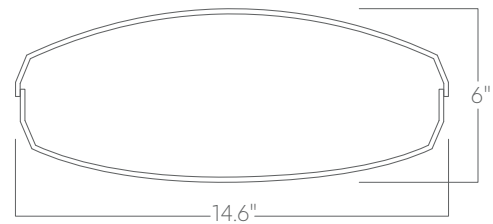


Specification grade, surface-mounted, vapor-proof luminaire. Ideal for use in exterior applications, where an LED enclosed and gasketed fixture with clear polycarbonate impact-resistant lens is required.

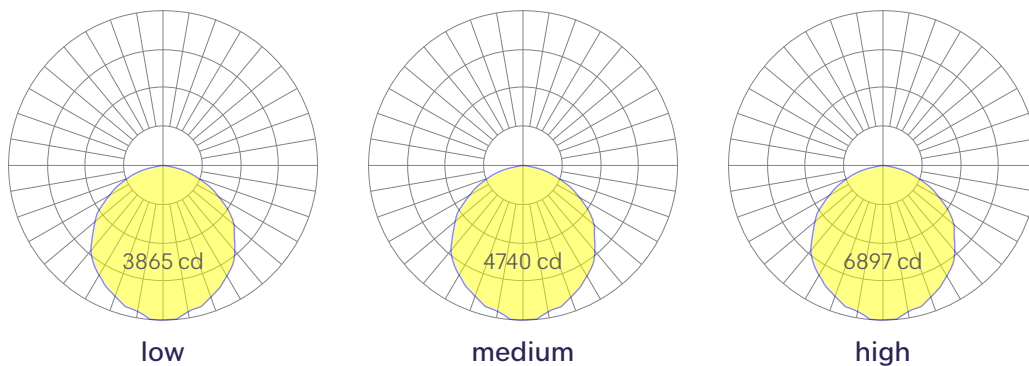
Features

- Vandal-proof and mountable on surface, wall, or ceiling
- Polycarbonate high-impact lens
- Specifiable color temperature. CRI > 90, R9 > 50
- Integral specifiable dimmable drivers or PoE
- 5 Year, 50,000 hour warranty, damp location rated

Dimensions



Optics



Representative distribution and peak candela. For other options see order information or IES files [here](#).

Ordering Information

For each option group below specify one option. If you don't see your preferred option listed, contact us for [help](#).

1	Fixture ID	2	Length	3	Color Temperature	4	Output
	VPD	4	4 ft	30	3000K/90 CRI	LOW	Low output
				35	3500K/90 CRI	MED	Medium output
				40	4000K/90 CRI	HIGH	High output
				50	5000K/90 CRI	CUST	Custom output Specify watts or lumens
				TW	Tunable White Must use DMX or TW10 driver.		
				RGBW30	RGB+white, 3000k Must use remote DMX driver.		
5	Voltage	6	Driver	7	Finish	8	Mounting
	UNV Universal (120/277V)	DB	Standard 0-10V 1%	NA	None	AC	Aircraft Cable 50" steel cable provided. White canopies and power cord unless option specified in section 12.
		DB.1%	0-10V 0.1%			SM	Surface Mount
		LDE	Lutron Digital EcoSystem				
		DALI	DALI-2 driver				
		PoE	Power over ethernet.				
		TW10	Dual channel, 0-10V for tunable white.				
		DMX	DMX512 All DMX drivers set to default address 001 and provided in remote enclosers. Contact us for other addressing needs				
			Linear Dimming Curve by default. Consult factory for Logarithmic options.				
9	Optics	10	Sensors/Controls	11	Circuit	12	Options
	SD Standard Diffuser	NA	None	NA	None	STD	White Canopy + White Cord
		MS	Motion Sensor	EMPCK	Emergency battery pack	CAN.X	Canopy + color See finish options here .
				EMCKT	Emergency circuit May require additional power feeds	SJ.BLK	Black cord
						SJ.WHT	White cord
						RLF	Red List Free Fixture

Performance

Output ¹	Watts/ft	Lumens/ft
Low	95	10760
Medium	120	13200
High	180	19200

¹Based on a typically configured 90 CRI, 3500K luminaire using one driver.
Custom outputs available. Please consult factory.

For 4000K multiply by 1.05, for 3000K, 0.9%, for 2700K, 0.92.

*80 CRI equivalent

Technical Information



click [here](#) or
scan QR code

Wiring diagrams, PoE and sensor details

VDP LED

Applications

Suitable for public areas, food processing, refrigerated storage, parking structures, car washes, construction sites, etc.

Drivers & Electrical

Integral driver with 0-10V Dimming standard. Several other driver options available; see ordering information.

Optics

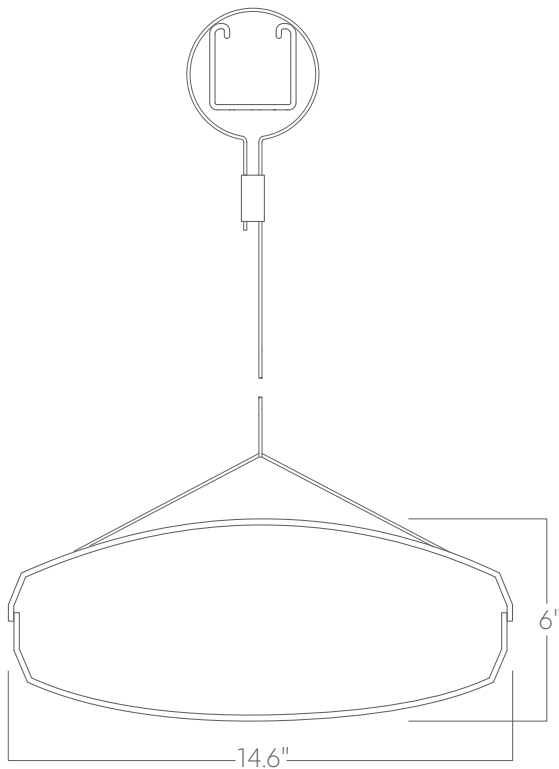
Specular reflector with 92% reflectivity, clear polycarbonate high-impact lens, diffuser with linear prisms on sides, and frosted ends.

Construction

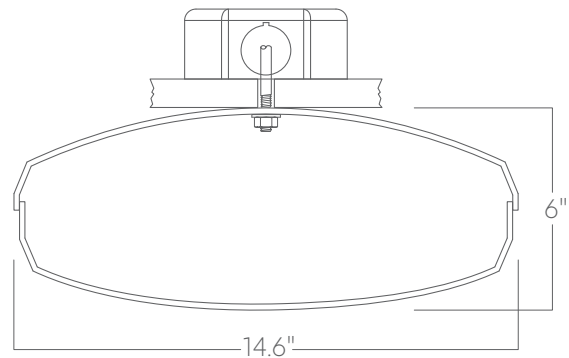
One-piece fiberglass housing with polycarbonate latches.

Mounting Options

Custom mounting types and ceiling transitions available; consult factory.



Aircraft cable



Surface mount

Please consult factory shop drawings for suspension points.

To prevent damage to fixtures, factory designated suspension points must not be field altered.

Do not attempt installation if you do not understand the installation instructions.