



DATE

JOB NAME

TYPE

Features **Applications**

- Ribbed, white acrylic diffuser
- Uses LED dimmable modules
- Stairwells
- Corridors
- Bathrooms
- Utility Rooms

Series **Size** **LED System** **Color Temp** **Voltage** **Mounting** **Options**

FP2 LED						
	2FT 3FT 4FT	LTG1- Standard LTG2- Low LTG3- High C- Custom Package (Consult Factory)	3000K 3500K 4000K 5000K	120 277 UNV	SM-Surface Mount WB-Wall Bracket	EM-EM Pack DB- Standard 10% Dimming Driver (0-10V) DB1%- 1% Dimming Driver (0-10V) LUTRON 2- Hi-Lume Dimming Driver (1% 2-wire control) LUTRON 3- Hi-Lume Dimming Driver (1% 3-wire control) MS-Motion Sensor AA-Anodized Aluminum Finish CEC-Chrome Ends

Ordering Example: FP2 LED-4FT-LTG2-4000K-UNV-SM-MS

LED System Information

Options:

NOMINAL PACKAGE	NOMINAL SYSTEM WATTS	NOMINAL DELIVERED LUMENS
LTG1 (STANDARD)	15W (per 2ft)	1675Lm (per 2ft)
LTG2 (LOW)	13.5W (per 2ft)	1515Lm (per 2ft)
LTG3 (HIGH)	16.5W (per 2ft)	1918Lm (per 2ft)

Color Temperature Pro-rate:

CCT	OUTPUT
2700K	93%
3000K	95%
3500K	97%
4000K	100%
5000K	103%

***FOR ANY CUSTOM LED PACKAGE REQUESTS CONSULT FACTORY

Details

Application Features: Specification grade, surface mounted wall luminaire with ribbed acrylic diffuser. For use in indoor applications where a LED luminaire with a diffuser for low-glare illumination is required. Available in lengths from 18.5" to 48.5".

Construction: Heavy gauge steel housing. Sufficient knock-outs provided for convenience outlet and rocker switch.

Finish: White or Bright Anodized Aluminum finish.

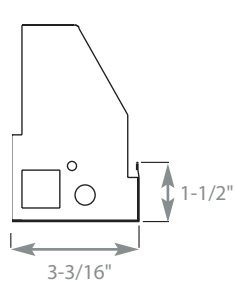
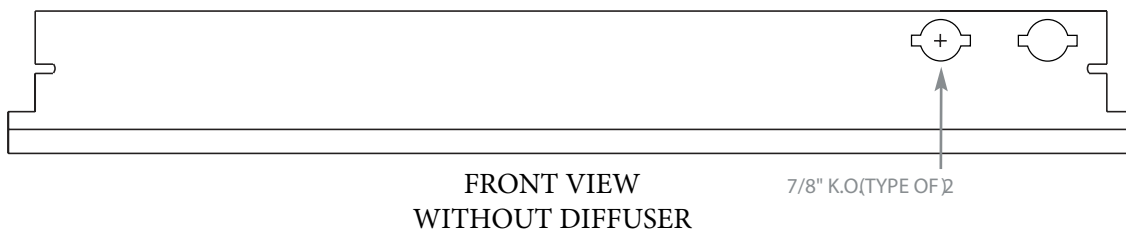
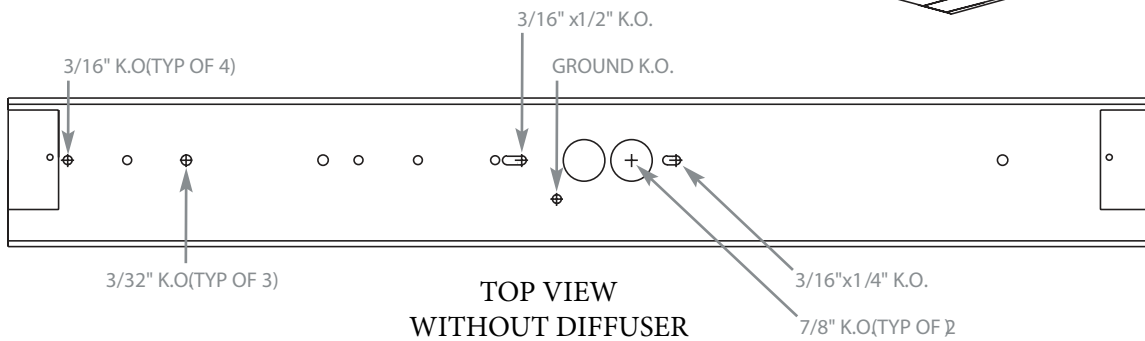
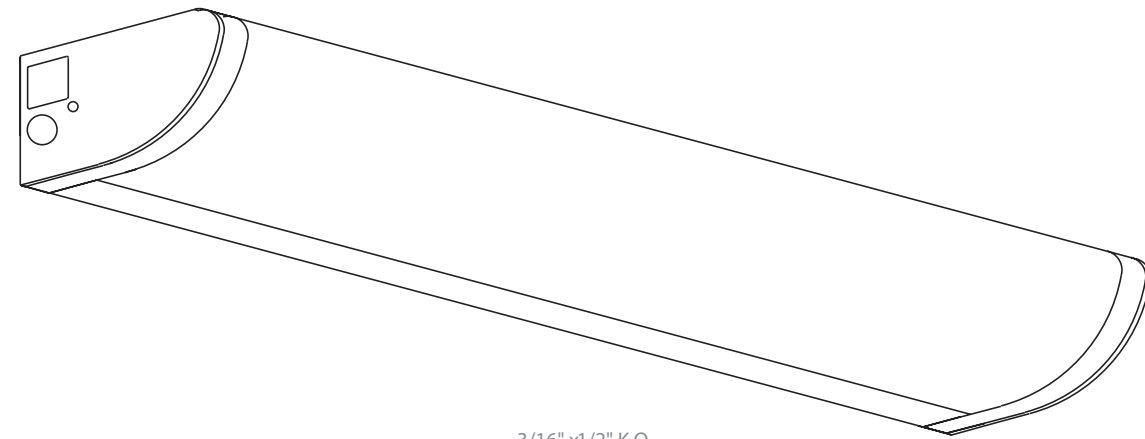
Electrical: Integral Driver.

Approvals: Union made, UL listed, and manufactured in the US.

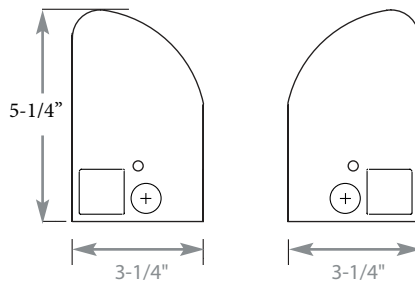
Mounting: Surface mounts over electrical junction box.

Optics: Ribbed white acrylic diffuser.

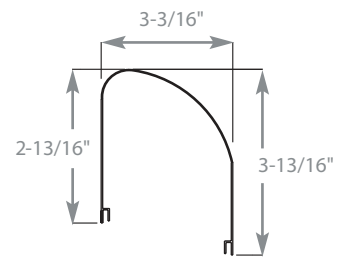
Options: Emergency Battery Backup, Dimming Ballast, Separate Circuit, Chrome End Caps, Solid End Caps.



END VIEW
WITHOUT PLATE



End Plates
Standard pair has knock-outs on both ends



Diffuser Only