



DATE

JOB NAME

TYPE

**Features** **Applications**

- Vandal-proof, luminaire for surface wall or ceiling mounting
- Polycarbonate, high impact lens
- Steel ends and tamper-resistant screws
- Uses LED dimmable boards
- 50,000 hour life

- Stairwells
- Corridors
- Bathrooms
- Utility Rooms

Series	Size	LED System	Color Temp	Voltage	Mounting	Options
<b>VP LED</b>	2FT 3FT 4FT	LTG1- Standard LTG2- Low LTG3- High C- Custom Package (Consult Factory)	3000K 3500K 4000K 5000K	120 277 UNV	SM-Surface Mount WB-Wall Bracket PS- Pendant Stem (12", 18", 24", 36", 48")	EM-EM Pack DB- Dimming LUTRON 2- Hi-Lume Dimming Driver (1% 2-wire control) LUTRON 3- Hi-Lume Dimming Driver (1% 3-wire control) MS-Motion Sensor

Ordering Example: VP LED-4FT-LTG2-4000K-UNV-SM-MS

**LED System Information**

**Options:**

NOMINAL PACKAGE	NOMINAL SYSTEM WATTS	NOMINAL DELIVERED LUMENS
LTG1 (STANDARD)	16.5W (per 2ft)	1640Lm (per 2ft)
LTG2 (LOW)	14.5W (per 2ft)	1515Lm (per 2ft)
LTG3 (HIGH)	18.5W (per 2ft)	1825lm (per 2ft)

**Color Temperature Pro-rate:**

CCT	OUTPUT
3000K	95%
3500K	97%
4000K	100%
5000K	103%

\*\*\*FOR ANY CUSTOM LED PACKAGE REQUESTS CONSULT FACTORY

**Details**

**Application Features:** Specification grade surface mounted wall or ceiling luminaire with clear prismatic acrylic 3-sided lens. For use in indoor applications where a LED luminaire with motion sensor and separate circuit options for energy savings is required. Available in 2', 3', or 4' lengths. Fixtures can be butt mounted for mounting in continuous rows.

**Construction:** Die formed 16 ga. steel housing and end caps with polycarbonate lens and tamperproof screws. Sufficient knock-outs provided for through wiring and optional pendant stems. Baked white enamel finish.

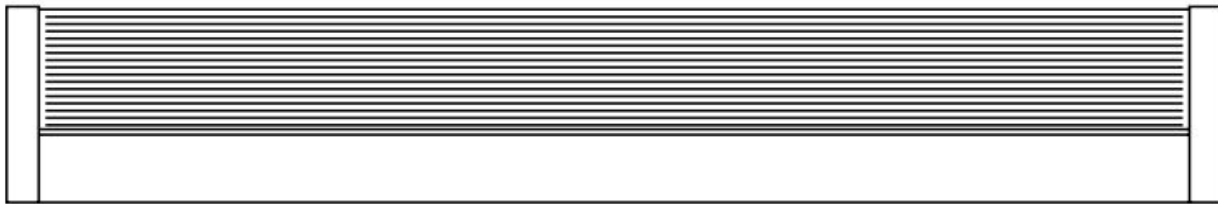
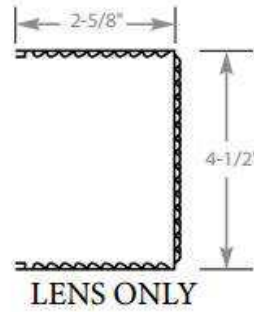
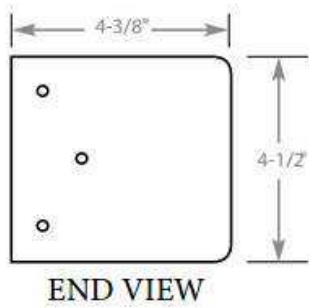
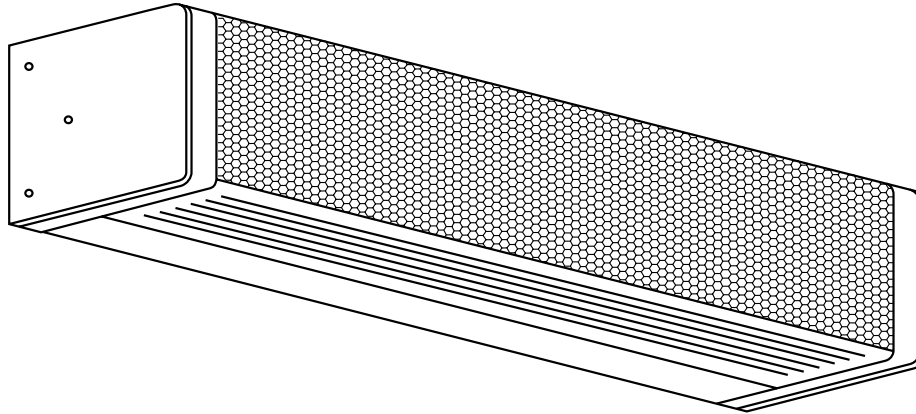
**Electrical:** Integral Driver.

**Approvals:** Union made, ETL listed, and manufactured in the US.

**Mounting:** Surface mounts over electrical junction box or with optional pendant stems.

**Optics:** .125" tamper and impact resistant clear polycarbonate lens.

**Options:** Emergency Battery Backup, Dimming, Separate Circuit, Motion Sensor.



SIDE VIEW WITH LENS