



DATE

JOB NAME

TYPE

Features **Applications**

- | | |
|-----------------------------------------------------------------------------------------------------------------------------------------------------------------------------------------------------------------|---------------------------------------------------------------------------------------------------------------------------------------------------------------------------------------------------------------|
| <ul style="list-style-type: none"> • Vandal-proof, luminaire for surface wall or ceiling mounting • Polycarbonate lens, steel ends and tamper-resistant screws • Uses T8 lamps | <ul style="list-style-type: none"> • Public Areas • Food Processing • Refrigerated Storage • Parking Structures • Car Washes • Construction Sites |
|-----------------------------------------------------------------------------------------------------------------------------------------------------------------------------------------------------------------|---------------------------------------------------------------------------------------------------------------------------------------------------------------------------------------------------------------|

Series	Size	Lamps	Watts	Voltage	Options
VDP	4FT	4 6	32WT8 28WT5 54T5HO 40WT12 48WT12HO	120 277 UNV	EM1-EM Pack 1-Lamp EM2-EM Pack 2-Lamp SC-Separate Circuit MS-Motion Sensor PO-Polycarbonate Lens AC-Aircraft Cable Mounting Kit

Ordering Example: VDP-632T8-120V-MS

Details

Application Features: Specification grade, surface mounted vapor proof luminaire. For use in exterior applications where a T5, T5HO, T8, T8HO, T12 or T12HO enclosed and gasketed fixture with clear acrylic impact resistant lens is required. Available in 4' length.

Construction: One piece fiberglass housing with clear acrylic impact resistant lens with twelve captive latches for positive retention and stainless steel hardware. Continuous poured in place gasket seals the enclosure from dust and moisture. Removeable gear tray, tethered to housing by two lanyards, provides easy access to wiring compartment and ballast. Knock-outs provided on ends of housing for through wiring.
Finish: Baked white enamel.

Electrical: Electronic ballasts are class P, thermally protected.

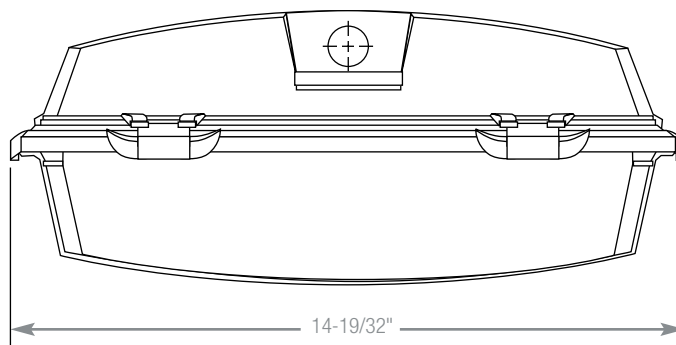
Approvals: Union made, UL listed, and manufactured in the US; IP 66 and 67 rated.

Optics: Specular reflector with 92% reflectivity and injection molded, clear acrylic diffuser with linear prisms on sides and frosted ends to reduce glare.

Options: Emergency Battery Backup, Separate Circuit, Motion Sensor, Inner Reflector, Polycarbonate Lens, Aircraft Cable Mounting Kit.

DISCLAIMER: CORONET INC RESERVES THE RIGHT TO MAKE ANY DESIGN CHANGES FOR CONTINUOUS IMPROVEMENT WHICH WILL NOT AFFECT THE OVERALL APPEARANCE OR PERFORMANCE. ALL CEILINGS ARE TO BE ADEQUATELY REINFORCED BY OTHERS BEFORE INSTALLATION. ALL FIXTURES ARE TO BE WIRED BY A CERTIFIED ELECTRICIAN ONLY. THIS INFORMATION IS PROPERTY OF CORONET INC., AND THE INFORMATION IT CONTAINS MAY NOT BE USED WITHOUT ANY WRITTEN CONSENT OF CORONET INC.

END VIEW



SIDEVIEW

