

DATE \_\_\_\_\_

JOB NAME \_\_\_\_\_

TYPE \_\_\_\_\_

| Features   | Applications  |
|--|---|
| <ul style="list-style-type: none"> <li>• Clear prismatic acrylic 3-sided lens</li> <li>• Surface wall or ceiling mounted</li> <li>• Uses T8, T5 or T5HO lamps</li> </ul> | <ul style="list-style-type: none"> <li>• Stairwells</li> <li>• Corridors</li> <li>• Bathrooms</li> <li>• Utility Rooms</li> </ul> |

| Series | Size   | Lamps  | Watts  | Voltage           | Options   |
|--------|--|--------|--|-------------------|---|
| HP     | 18" (T8 only)<br>2FT (Nominal)<br>3FT (Nominal)<br>4FT (Nominal) | 1<br>2 | 15WT8<br>17WT8<br>14WT5<br>24WT5HO<br>25WT8<br>32WT8<br>28WT5<br>54WT5HO | 120<br>277<br>UNV | EM-EM Pack<br>EM2-EM Pack 2-Lamp<br>DB-Dimming Ballast<br>SC-Separate Circuit<br>MS-Motion Sensor<br>PC- Polycarbonate Lens<br>OP-Opal White Acrylic Lens<br>BA-Baffle Blocks Front Light<br>DI-Divider separates Up/Down Light |

Ordering Example: HP-132T8-UNV-MS

**Details**

**Application Features:** Specification grade surface mounted wall or ceiling luminaire with clear prismatic acrylic 3-sided lens. For use in indoor applications where a T8, T5, T5HO or LED luminaire with motion sensor and separate circuit options for energy savings is required. Available in 18", 2', 3' and 4' nominal lengths (exact size depends on lamping). Fixtures can be butt mounted for mounting in continuous rows.

**Construction:** Die formed 20 ga. pre-painted white steel housing with clear prismatic acrylic 3-sided lens. Sufficient knock-outs provided for optional pendant stems. Mouse hole end plate optionally available for through wiring and motion sensor installation.

**Finish:** Baked white enamel.

**Electrical:** Electronic ballasts are class P, thermally protected.

**Approvals:** Union made, UL listed, and manufactured in the US.

**Mounting:** Surface or wall mounts over electrical junction box or with optional pendant stems.

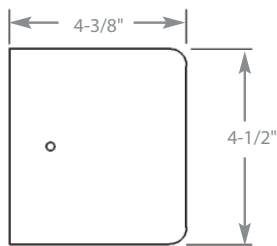
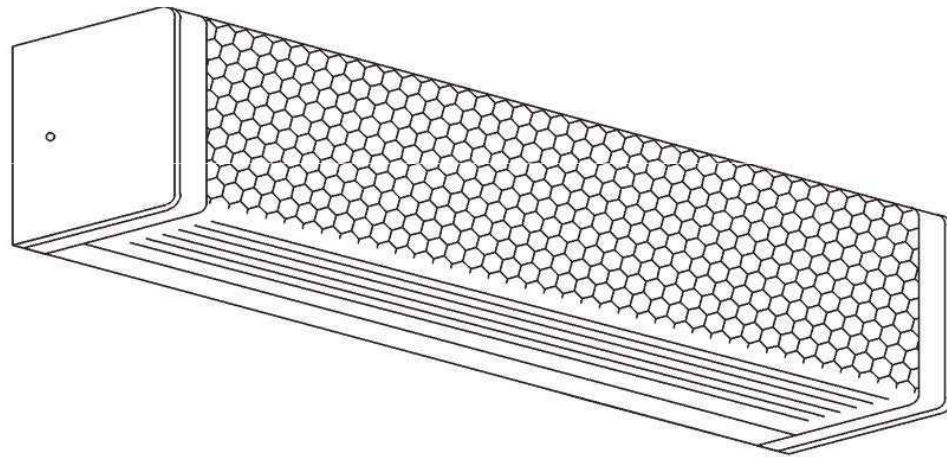
**Optics:** Clear prismatic acrylic 3-sided lens.

**Options:** Emergency Battery Backup, Dimming Ballast\*, Separate Circuit, Motion Sensor, Opal White Acrylic Lens, Baffle, Divider, Pendant Stems.

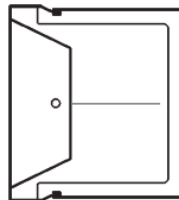
\*Bi-level luminaire controlled by an integral ultra-sonic motion sensor, designed to provide safe, dependable illumination while conserving energy. Suitable for ceiling or wall mounting. Bi-level fixtures operate at a low standby light level, offering safety and security with full light output instantly upon occupancy with area fully lit only as needed. In most municipalities, this is 1 FC average (2 FC in NYC)



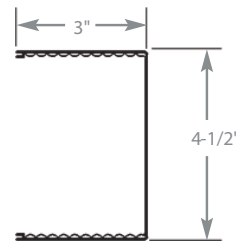
Image shows fixture with motion sensor and emergency pack



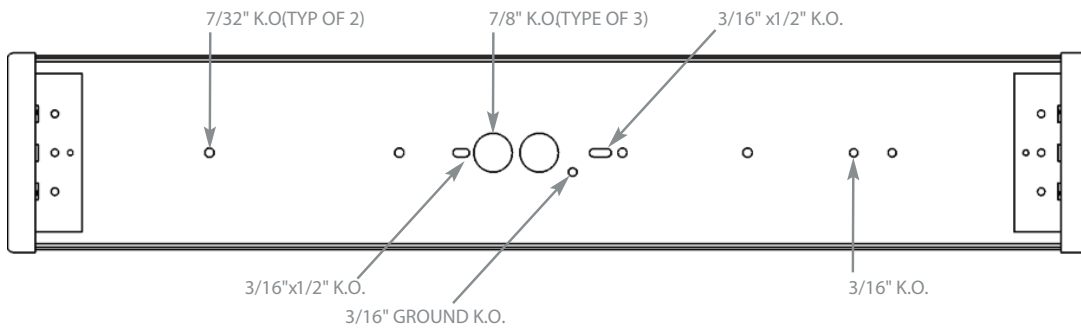
END VIEW



WITH OPTIONAL DIVIDER



LENS ONLY



FRONT VIEW WITHOUT LENS



SIDE VIEW WITH LENS