



DATE _____

JOB NAME _____

TYPE _____

Features **Applications**

- | | |
|---|---|
| <ul style="list-style-type: none"> • Fixture components snap together for ease of installation and maintenance • Knock-outs provided for convenience outlet, pull switch and conduit attachment | <ul style="list-style-type: none"> • Office Areas • Retail Stores • Class Rooms • Libraries |
|---|---|

Series	Size	Lamps	Watts	Voltage	Options	
H	2FT 3FT 4FT 6FT 8FT	1 2 3 4	17W T8 14W T5 24W T5HO 20W T12 25W T8 21W T5 39T5HO	30WT12 32W T8 28W T5 54W T5HO 40W T12 11WT8 (LED 2') 22WT8 (LED 4')	120 277 UNV (T12 dedicated voltage only)	EM1—EM Pack 1-Lamp EM2—EM Pack 2-Lamp DB—Dimming Ballast SC—Separate Circuit HB—1.15 BF Ballast MS—Motion Sensor AS—Asymmetric Reflector WG—Wireguard US—White Reflector 10% Uplight Slots (not available in 4 light) CR87—Chrome Reflector 87% Reflectivity CR94—Chrome Reflector 94% Reflectivity CUS—Chrome Reflector 10% Uplight Slots (not available in 4 light) VH—"V" Hangers
			6' Tandem uses 3' lamps (ie-25W-6')			
			8' Tandem uses 4' lamps (ie-32W-8')			

Ordering Example: H-3'-2-39WT5HO-UNV-EM

Details

Application Features: Specification grade fluorescent side socket channel For use in indoor applications where a T8, T5, T5HO or T12 side socket striplight with tool-less design and low cost is required. Available in 2', 3' and 4' lengths and 1-lamp single, 2-lamp double side, 2-lamp right angle and 3-lamp configurations.

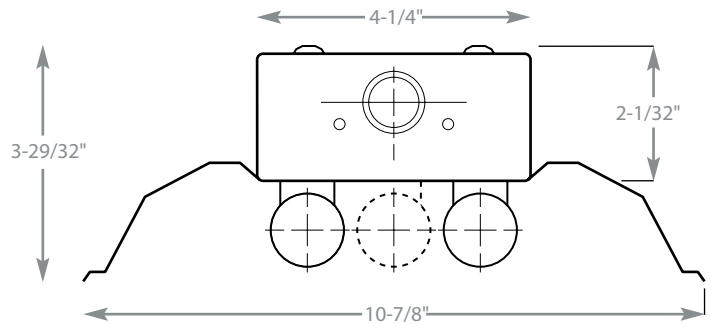
Construction: Die formed 20 ga. cold rolled steel housing. Fixture components snap together for ease of installation and maintenance. Sufficient knock-outs provided for convenience outlet, pull switch and flexible conduit attachment.

Finish: High reflective white.

Electrical: Electronic ballasts are class P, thermally protected.

Approvals: Union made, UL listed, and manufactured in the US

Options: Emergency Battery Backup, Dimming Ballast, Separate Circuit.



CROSS SECTION

DISCLAIMER: CORONET INC RESERVES THE RIGHT TO MAKE ANY DESIGN CHANGES FOR CONTINUOUS IMPROVEMENT WHICH WILL NOT AFFECT THE OVERALL APPEARANCE OR PERFORMANCE. ALL CEILINGS ARE TO BE ADEQUATELY REINFORCED BY OTHERS BEFORE INSTALLATION. ALL FIXTURES ARE TO BE WIRED BY A CERTIFIED ELECTRICIAN ONLY. THIS INFORMATION IS PROPERTY OF CORONET INC., AND THE INFORMATION IT CONTAINS MAY NOT BE USED WITHOUT ANY WRITTEN CONSENT OF CORONET INC.