

DATE

JOB NAME

TYPE

Features	Applications
<ul style="list-style-type: none"> • Single perforated metal lamp shield • Translucent opal white acrylic overlay • Clean appearance no exposed fasteners 	<ul style="list-style-type: none"> • Office Areas • Retail Stores • Class Rooms • Corridors

Series	Size	Lamps	Watts	Voltage	Options
BPCW	1 X 4 2 X 2 2 X 4	2 3 4 (BX ONLY)	17WT8 14WT5 24WT5HO 40WBX 50WBX 55WBX 32WT8 28WT5 54WT5HO	120 277 UNV	EM—EM Pack 1-Lamp EM2—EM Pack 2-Lamp DB—Dimming Ballast SC—Separate Circuit CB—Integral Radial Metal Cross Blade Baffle PS—Pendant Stems (6", 12", 24", 36", 48")

Ordering Example: BPCW-1X4-2-32T8-UNV-EM

Details

Application Features: Premium grade, surface mounted, high performance direct/indirect architectural luminaire with single perforated metal lamp shield. For use in indoor applications where a T8, T5, T5HO or Biax luminaire with soft, low-glare illumination and modern styling is required. Available in 1x4, 2x2, and 2x4 configurations. Fixtures can be butt mounted for mounting in continuous rows.

Construction: Die formed and spot welded, 20 ga. cold rolled steel housing with precision formed, cold rolled steel contoured reflector and die formed, cold rolled steel perforated lamp shield. Shielding flexes over mounting studs on housing for easy installation and re-lamping. Sufficient knock-outs provided for optional pendant stems.

Finish: Powder painted matte white.

Electrical: Electronic ballasts are class P, thermally protected.

Approvals: Union made, UL Listed, and manufactured in the US.

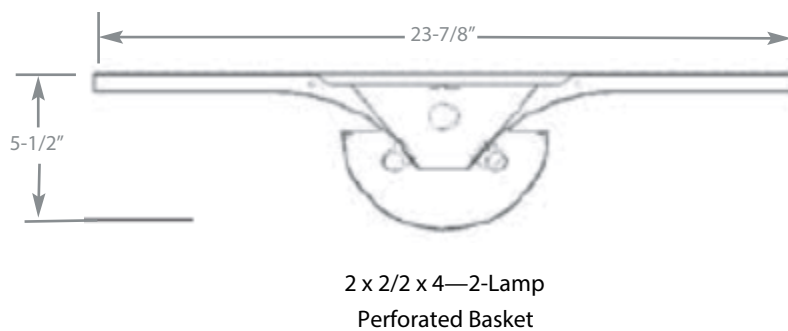
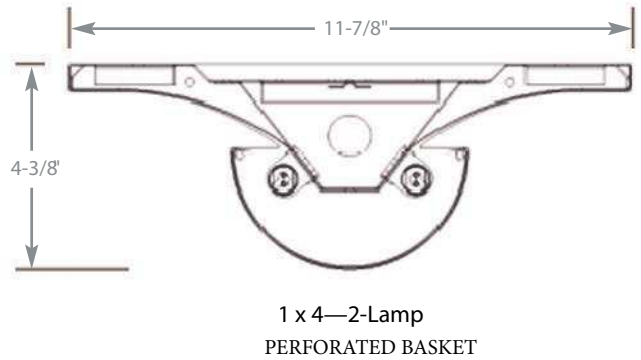
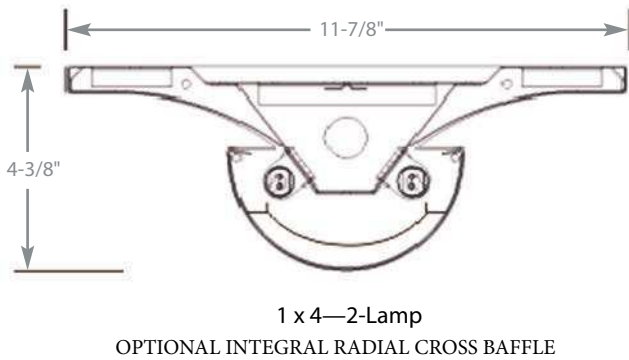
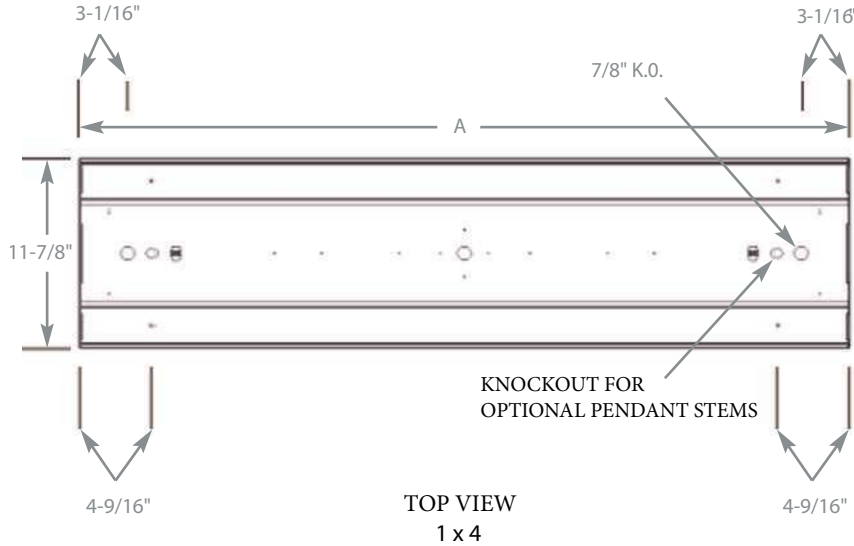
Mounting: Surface mounts over electrical junction box or with optional pendant stems.

Optics: Contoured reflector and perforated lamp shield with opal white acrylic overlay.

Options: Emergency Battery Backup, Dimming Ballast, Separate Circuit, Integral Radial Metal Cross Blade Baffle, Pendant Stems.

DISCLAIMER: CORONET INC RESERVES THE RIGHT TO MAKE ANY DESIGN CHANGES FOR CONTINUOUS IMPROVEMENT WHICH WILL NOT AFFECT THE OVERALL APPEARANCE OR PERFORMANCE. ALL CEILINGS ARE TO BE ADEQUATELY REINFORCED BY OTHERS BEFORE INSTALLATION. ALL FIXTURES ARE TO BE WIRED BY A CERTIFIED ELECTRICIAN ONLY. THIS INFORMATION IS PROPERTY OF CORONET INC., AND THE INFORMATION IT CONTAINS MAY NOT BE USED WITHOUT ANY WRITTEN CONSENT OF CORONET INC.

Model	Nominal Length	A
1 X 4	48"	48"
2 X 2	24"	24"
2 X 4	48"	48"



CROSS SECTIONS