



DATE

JOB NAME

TYPE

Features	Applications
----------	--------------

- Clean appearance
- Wall bracket mounted
- Steel housing and ends caps with textured finish
- Uses T8, T5 or T5HO lamps

- Office Areas
- Retail Stores
- Class Rooms
- Libraries
- Restaurants

Series	Size	Lamps	Watts	Voltage	Mounting	Options
1050WM					WB	
	4FT	1	32WT8	120	WB—Wall Bracket	EM—Emergency Pack
	8FT	2	28WT5	277		EM2—Emergency Pack
	XFT (CONTINUOUS ROW MOUNTING)		54T5HO	UNV		2-Lamp (T8 ONLY)
						DB—Dimming Ballast
						SC—Separate Circuit
						CC—Custom Color

Ordering Example: 1050WM-4FT-2-54WT5HO-UNV-WB-EM

Details

Application Features: Specification grade, suspended, high performance architectural luminaire. For use in indoor applications where a T8, T5 or T5HO direct/indirect luminaire with maximum uplight as well as glare-free downlight is required. Available as individual fixtures or with end and intermediate units for mounting in continuous rows. Fixtures designed to mount on 4 foot and 8 foot centers.

Construction: Durable cold rolled 20 ga. steel body. Sufficient knock-outs provided for connections and through wiring.

Finish: Pre-treated phosphate bonded (rust inhibitor), white powder coated finish.

Electrical: Electronic ballasts are class P, thermally protected.

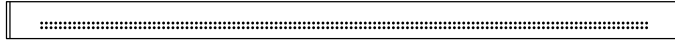
Approvals: UL Listed for damp location.

Optics: 95% enhanced anodized aluminum reflector and housing with slots with plastic overlay.

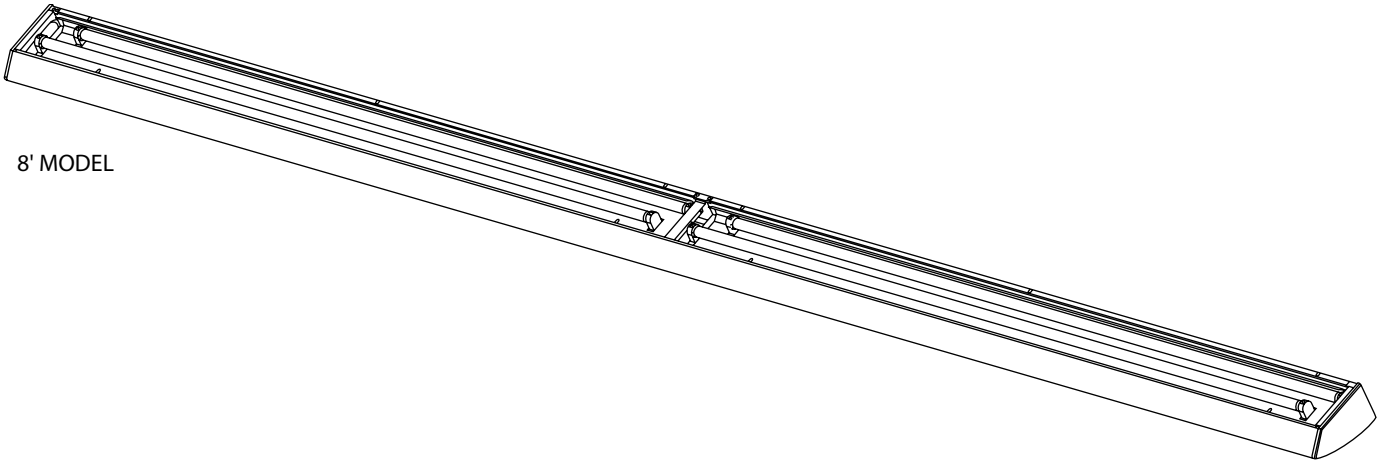
Options: Emergency Battery Backup, Dimming Ballast, Separate Circuit, Custom Colors, Spade End Caps.

Light Distribution:
Indirect—88% Direct—12%

FRONT VIEW



8' MODEL



4' MODEL

FRONT VIEW



8' MODEL

TOP VIEW

