

DATE

JOB NAME

TYPE

Features	Applications
<ul style="list-style-type: none"> • Clean appearance • No exposed fasteners • Steel housing and end caps with textured finish • Continuous row capability 	<ul style="list-style-type: none"> • Office Areas • Retail Stores • Class Rooms • Libraries • Restaurants

Series	Size	Lamps	Watts	Voltage	Mounting	Options
1050	4FT 8FT XFT (CONTINUOUS ROW MOUNTING)	2 3 (T5 ONLY)	32WT8 28WT5 54WT5HO	120 277 UNV	AC —Aircraft Cable (24", 36" standard, 48")	EM —Emergency Pack DB —Dimming Ballast SC —Separate Circuit CC —Custom Color BE —Bullnose End Caps SE —Spade End Caps

Ordering Example: 1050-4FT-2-54WT5HO-UNV-AC24"-SC

Details

Application Features: Specification grade, suspended, high performance architectural luminaire. For use in indoor applications where a T8, T5 or T5HO direct/indirect luminaire with maximum uplight as well as glare-free downlight is required. Available as individual fixtures or with end and intermediate units for mounting in continuous rows. Fixtures designed to mount on 4 foot and 8 foot centers.

Construction: Durable cold rolled 20 ga. steel body. Sufficient knock-outs provided for connections and through wiring.

Finish: Pre-treated phosphate bonded (rust inhibitor), white powder coated finish.

Electrical: Electronic ballasts are class P, thermally protected.

Approvals: Union made, UL Listed, and manufactured in the US

Optics: 95% enhanced anodized aluminum reflector and housing with lensed slots.

Options: Emergency Battery Backup, Dimming Ballast, Separate Circuit, Custom Colors, Spade End Caps.

Light Distribution:
Indirect-76% Direct-24%

Available with either Spade or Bullnose End Caps

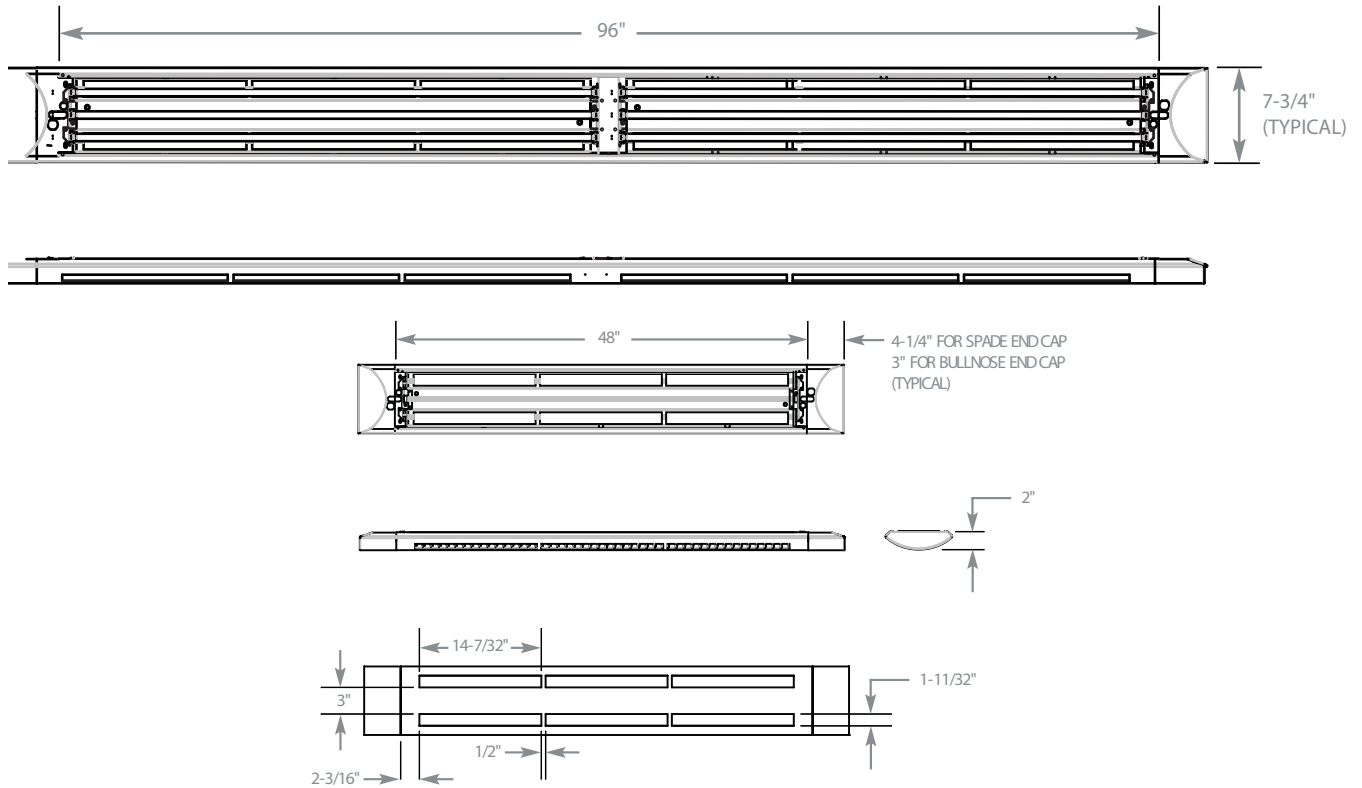


Spade

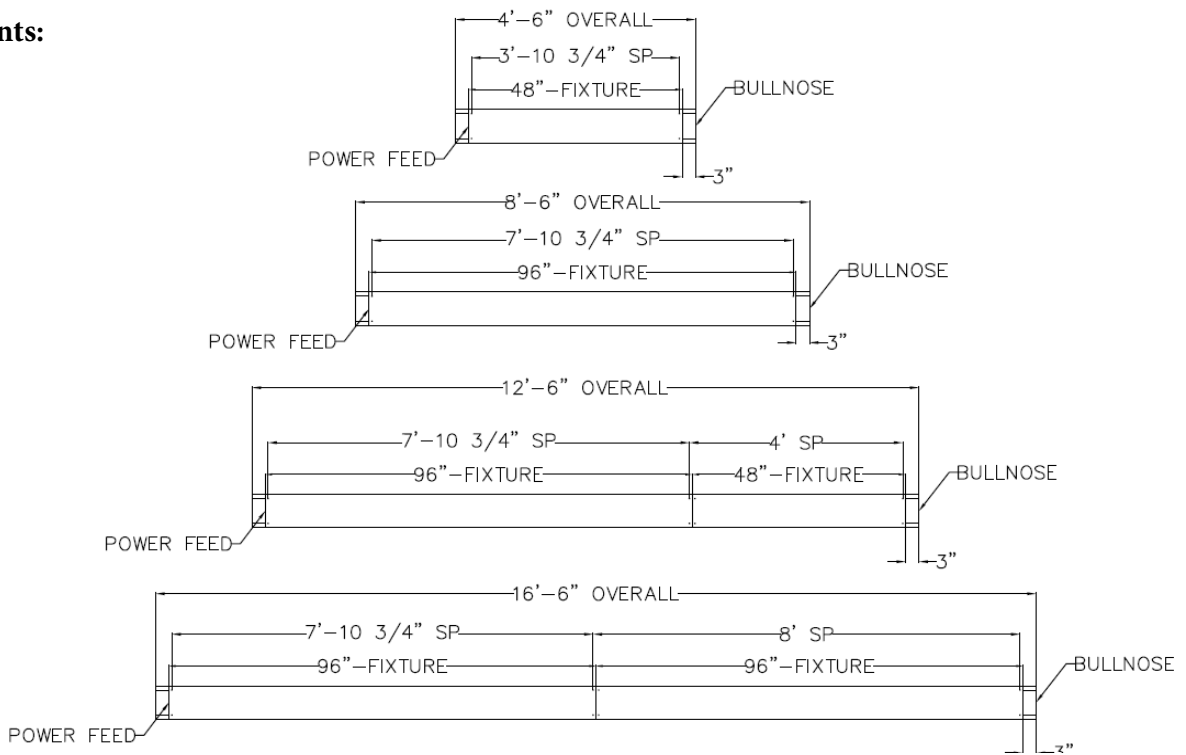


Bullnose

Dimensions:

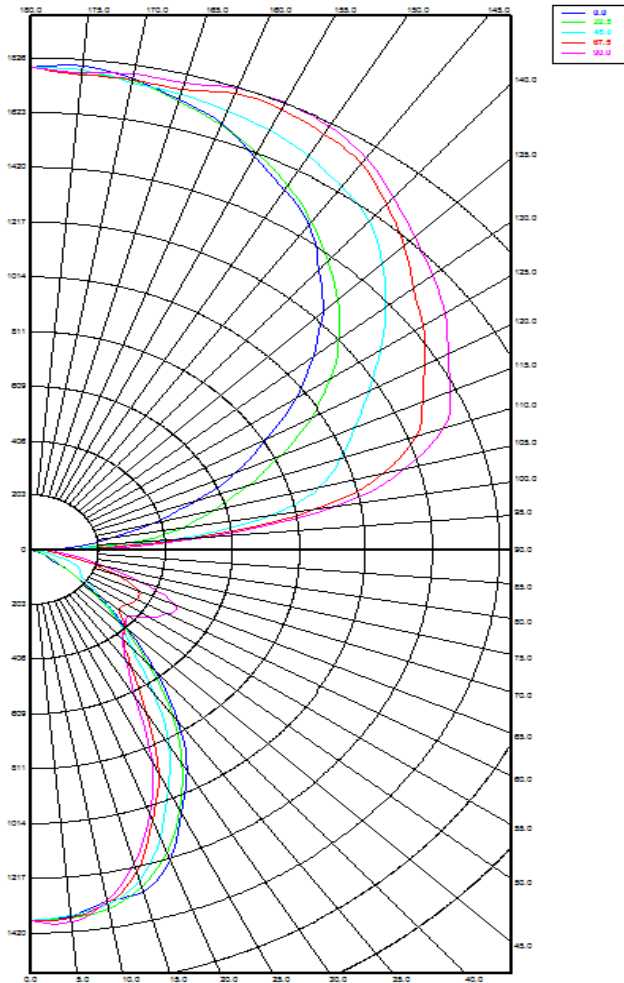


Hanging Points:



Photometrics:

1050-4FT-254T5HO:



Candela Distribution:

	0.0	22.5	45.0	67.5	90.0
0.0	674.83	674.83	674.83	674.83	674.83
5.0	667.38	663.50	661.69	674.23	655.01
10.0	677.31	652.91	655.05	652.31	644.59
15.0	652.14	647.96	642.40	645.24	642.39
20.0	637.19	627.92	629.60	625.23	626.30
25.0	623.92	609.39	612.32	605.72	606.29
30.0	587.09	590.37	584.19	582.40	572.76
35.0	555.36	552.19	553.67	551.36	548.11
40.0	516.87	511.35	516.92	511.68	511.70
45.0	469.23	474.03	473.88	473.24	474.86
50.0	414.46	420.31	426.97	427.24	425.98
55.0	360.42	366.60	372.01	378.65	380.54
60.0	305.85	308.92	316.50	328.39	324.52
65.0	246.58	252.62	261.73	274.07	276.95
70.0	190.08	194.96	208.57	221.61	229.51
75.0	134.22	141.86	160.35	177.94	188.47
80.0	82.08	91.92	119.06	145.31	156.79
85.0	39.20	53.64	87.95	113.93	123.25
90.0	21.32	36.87	70.90	95.75	104.69
95.0	149.66	156.07	186.08	194.62	197.51
100.0	293.87	333.74	374.42	460.67	480.35
105.0	447.98	514.65	547.04	567.64	588.59
110.0	594.33	673.02	778.42	779.82	777.60
115.0	760.83	818.88	997.15	1021.23	1024.80
120.0	925.50	964.85	1166.79	1253.81	1260.10
125.0	1069.65	1104.83	1275.43	1424.69	1458.82
130.0	1221.22	1238.93	1376.90	1514.45	1561.02
135.0	1349.58	1360.54	1468.00	1593.27	1634.52
140.0	1469.62	1476.56	1542.42	1657.30	1702.10
145.0	1579.12	1581.59	1617.50	1692.53	1732.37
150.0	1674.20	1675.07	1682.42	1728.06	1747.82
155.0	1759.02	1755.40	1743.03	1766.00	1786.77
160.0	1820.04	1814.06	1807.14	1815.06	1793.90
165.0	1866.59	1851.16	1855.14	1851.10	1851.23
170.0	1907.25	1905.77	1886.39	1895.87	1860.91
175.0	1923.22	1919.37	1911.06	1909.48	1909.70
180.0	1949.33	1949.33	1949.33	1949.33	1949.33

Zonal Lumen Summary

Zone	Lumens	%Lamp	%Fixt
0- 30	529	5.3	6.1
0- 40	873	8.7	10.1
0- 60	1567	15.7	18.2
0- 90	2094	20.9	24.3
90-120	1714	17.1	19.9
90-150	5001	50.0	58.0
90-180	6527	65.3	75.7
0-180	8621	86.2	100.0

Total Luminaire Optical Efficiency = 88.9%

Coefficients of Utilization - Zonal Cavity Method

pfc = 0.20

pcc->	.8				.7				.5				.3				.0				0
pw->	.7	.5	.3	.0	.7	.5	.3	.0	.7	.5	.3	.0	.7	.5	.3	.0	.7	.5	.3	.0	0
RCR																					
0	87	87	87	87	77	77	77	77	60	60	60	43	43	43	28	28	28	21			
1	79	75	72	68	70	67	64	61	52	50	47	37	36	35	23	23	23	17			
2	72	66	60	54	64	58	54	49	45	42	38	33	31	28	19	19	19	14			
3	65	57	51	44	58	51	46	40	40	36	32	29	26	24	16	16	16	12			
4	60	51	44	37	53	45	40	33	35	31	27	25	23	20	13	13	13	10			
5	55	45	38	31	48	40	34	28	31	27	22	23	20	17	11	11	11	9			
6	50	40	33	26	44	36	30	24	28	24	19	20	18	14	10	10	10	7			
7	46	36	29	23	41	32	26	21	25	21	17	18	16	13	9	9	9	7			
8	43	32	26	20	38	29	23	18	23	19	15	17	14	11	8	8	8	6			
9	40	29	23	17	35	26	21	16	21	17	13	15	13	10	7	7	7	5			
10	37	27	21	15	33	24	19	14	19	15	11	14	11	9	6	6	6	5			