

DATE

JOB NAME

TYPE

Features	Applications
<ul style="list-style-type: none"> Ribbed, white acrylic diffuser Uses T8 or T12 lamps 	<ul style="list-style-type: none"> Stairwells Corridors Bathrooms Utility Rooms

Series	Size	Lamps	Watts	Voltage	Options
FP1	18" 2FT 3FT 4FT	1	15W T8 15W T12 17W T8 20W T12 25W T8 30W T12 32W T8 40W T12	120V 277V UNV	EM-EM Pack Lamp DB-Dimming Ballast CEC-Chrome End Caps BAA-Bright Anodized Aluminum finish

Ordering Example: FP-1-20WT12-UNV-EM

Details

Application Features: Specification grade, surface mounted wall luminaire with ribbed white acrylic diffuser. For use in indoor applications where a T8 or T12 luminaire with a diffuser for low-glare illumination is required. Available in lengths from 18.5" to 48.5".

Construction: Heavy guage steel housing. Sufficient knock-outs provided for convenience outlet and rocker switch.

Finish: White or Bright Anodized Aluminum finish.

Electrical: Electronic ballasts are class P, thermally protected.

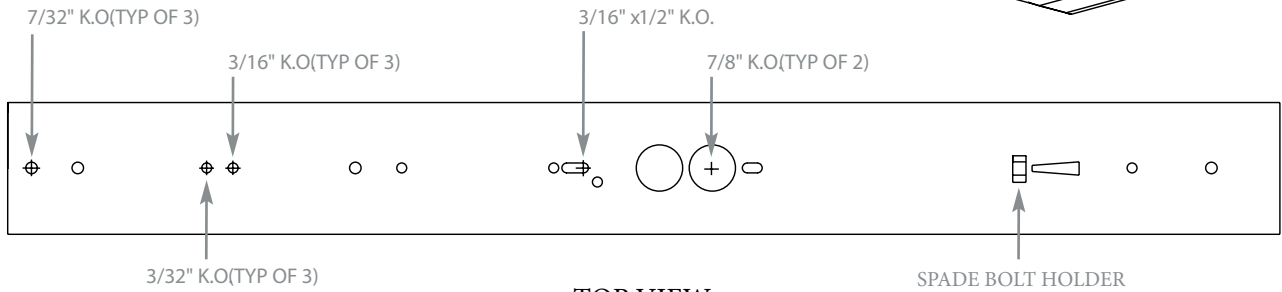
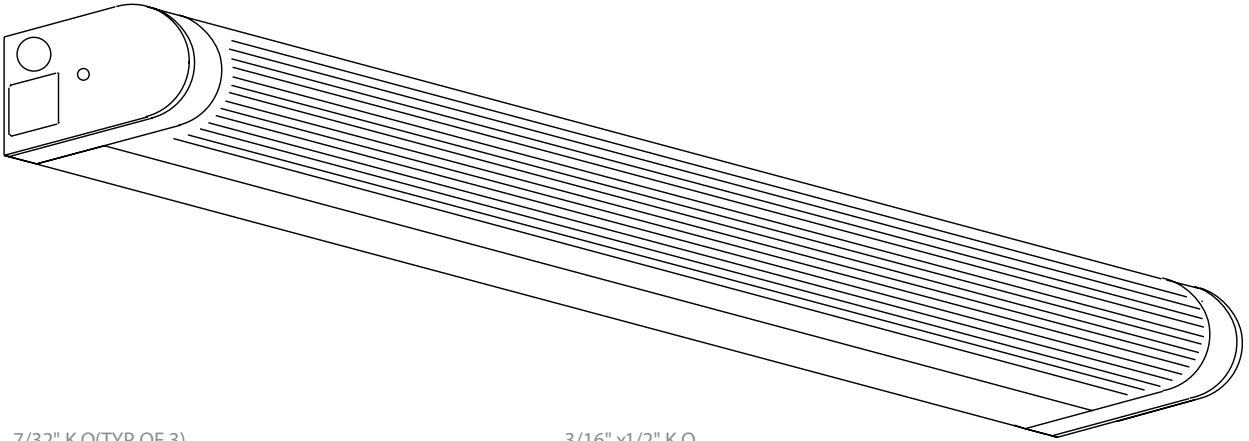
Approvals: Union made, UL listed, and manufactured in the US.

Mounting: Surface mounts over electrical junction box.

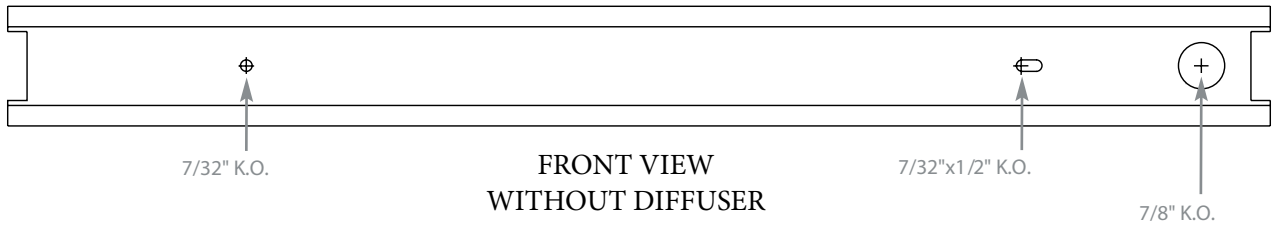
Optics: Ribbed, white acrylic diffuser.

Options: Emergency Battery Backup, Dimming Ballast, Chrome End Caps, Solid End Caps.

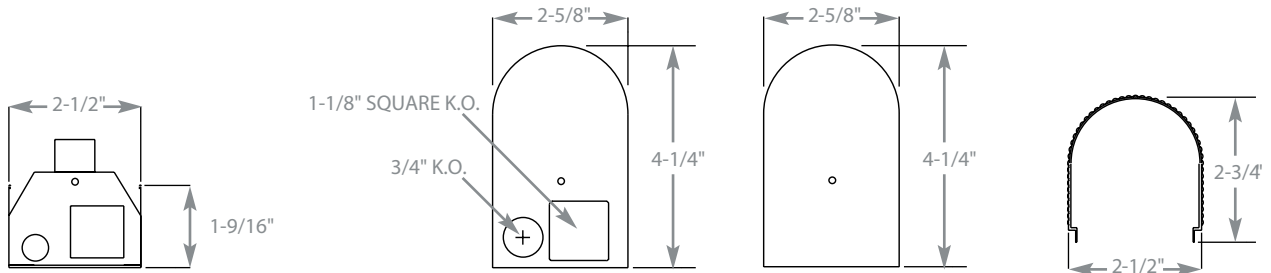
DISCLAIMER: CORONET INC RESERVES THE RIGHT TO MAKE ANY DESIGN CHANGES FOR CONTINUOUS IMPROVEMENT WHICH WILL NOT AFFECT THE OVERALL APPEARANCE OR PERFORMANCE. ALL CEILINGS ARE TO BE ADEQUATELY REINFORCED BY OTHERS BEFORE INSTALLATION. ALL FIXTURES ARE TO BE WIRED BY A CERTIFIED ELECTRICIAN ONLY. THIS INFORMATION IS PROPERTY OF CORONET INC., AND THE INFORMATION IT CONTAINS MAY NOT BE USED WITHOUT ANY WRITTEN CONSENT OF CORONET INC.



TOP VIEW
WITHOUT DIFFUSER



FRONT VIEW
WITHOUT DIFFUSER



END VIEW
WITHOUT PLATE

End Plates
Standard pair has one solid
and one with knockout

Diffuser Only