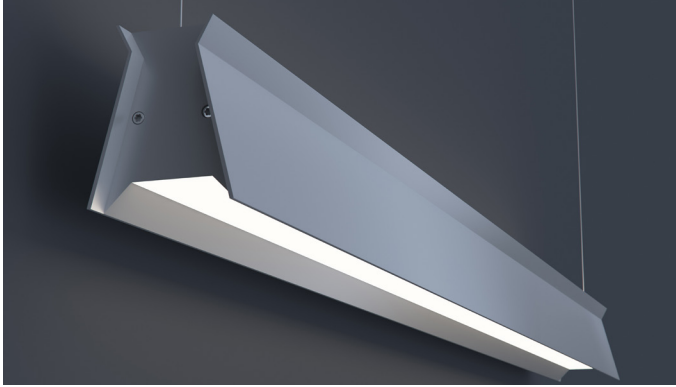


DATE	PROJECT	FIRM	TYPE
------	---------	------	------



Stylized architectural linear luminaire with direct lighting. Regressed lens in beveled aperture improves visual comfort and coordinates with square downlights. Perfect for open ceiling applications and architectural spaces.

### FEATURES

- Direct Lighting
- Available In Custom Lengths & Long Runs To 1/16" Accuracy
- Corners & Patterns Available (See Page 2)
- Damp Location Rated
- CRI 90+ Standard
- 5 Year, 50,000 Hour Fixture Warranty
- 2700K, 3000K, 3500K, 4000K & 5000K Color Temperatures Available

**APPLICATIONS** Offices, Lobbies, Retail Stores, Classrooms, Reception Areas & Corridors

**CONSTRUCTION** Extruded Aluminum Housing with Die Cast Ends. Formed Steel Gear Tray

**OPTICS** Extruded High Transmission Satin Acrylic Lens With No LED Imaging (D).

**WARRANTY** 5 Year Limited Warranty (Covers Standard Components)

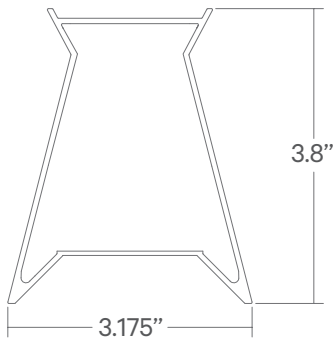
**FINISH** Standard Powder-Coated White. Custom RAL Colors Available

**FIXTURE RATINGS & CERTIFICATIONS** Union Made ETL Listed Made In The USA Damp Location Rated



**ELECTRICAL** Integral Driver With 0-10V 10% Dimming Standard. Several Driver Options Available. See ordering info.

### EXTRUSION DIMENSIONS



### LED SYSTEM INFORMATION

	System Watts	Delivered Lumens	Efficacy
Standard (LTG1)	7.5 W/ft	500 Lm/ft	80 Lm/W
Low (LTG2)	5.25 W/ft	350 Lm/ft	81 Lm/W
High (LTG3)	9 W/ft	650 Lm/ft	76 Lm/W

Based on a 3500K luminaire using one driver. Please consult factory for custom lumen outputs & wattage.

### ORDERING



<b>1 - FIXTURE ID</b> PIER LED	<b>2 - LENGTH</b> 2 - 2 ft 4 - 4 ft 8 - 8 ft X'-X" - Custom (specify length to 1/16") **Patterns available, consult factory	<b>3 - COLOR TEMP</b> 27 - 2700K/90 CRI 30 - 3000K/90 CRI 35 - 3500K/90 CRI 40 - 4000K/90 CRI 50 - 5000K/90 CRI TW* - Tunable White RGBW* - RGB + 3000K *Must use DMX Driver (Remote)	<b>4 - LED SYSTEM</b> LTG1 - Standard LTG2 - Low LTG3 - High C - Custom Output (ie-C550Lm/ft)	<b>5 - VOLTAGE</b> UNV - Universal (120/277V)	<b>6 - DRIVER</b> DB - Standard 10% Dimming (0-10V) DB1% - 1% Dimming (0-10V) DB.01% - .01% Dimming (0-10V)* LTEA - Lutron 2-wire 1% Dimming L3DA - Lutron 3-wire 1% Dimming LDE1 - Lutron Digital EcoSystem LDE5 - 5 Series EcoSystem; 5% Dimming DMX - For Color Tuning and RGBW* *ELDOLED driver
<b>7 - FINISH</b> W - White (Standard) BLK - Black CC - Custom Color (provide RAL#)	<b>8 - MOUNTING</b> AC - Air Craft Cable (50")	<b>9 - CIRCUIT</b> EM 120V - Emergency Pack EM 277V - Emergency Pack			

DATE

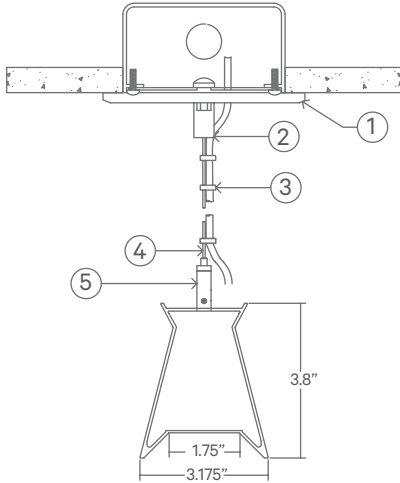
PROJECT

FIRM

TYPE

## MOUNTING OPTIONS

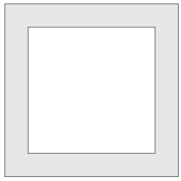
AC - Air Craft Cable (50")



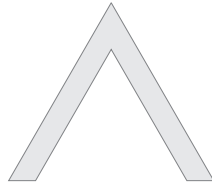
- 1 - 5" Round Canopy (Standard White Finish)
- 2 - Canopy Retainer
- 3 - S-JT Cord (Standard White)
- 4 - Air Craft Cable
- 5 - Gripper

## CORNERS & PATTERNS

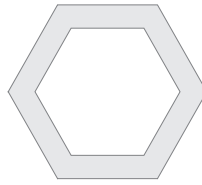
Available with illuminated corners, angles, and custom patterns. **Must consult factory for custom corners and patterns.**



Square Patterns



Custom Angles

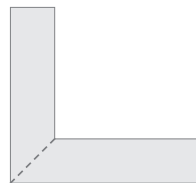


Custom Patterns

## LENS CUT OPTIONS



Straight-cut



Mitered Angle

NOTE: Straight-Cut is standard configuration, Mitered Angle is optional and must be specified.