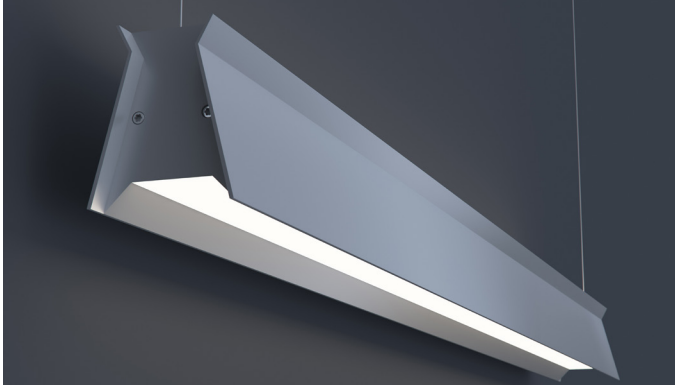




DATE	PROJECT	FIRM	TYPE
------	---------	------	------



Stylized architectural linear luminaire with direct and indirect lighting. Regressed lens in beveled aperture improves visual comfort and coordinates with square downlights. Perfect for open ceiling applications and architectural spaces.

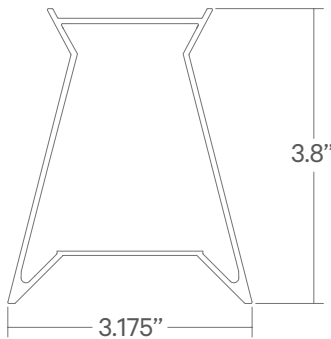
FEATURES

- Direct/Indirect Lighting
- Available In Custom Lengths & Long Runs To 1/16" Accuracy
- Corners & Patterns Available (See Page 2)
- Damp Location Rated
- CRI 90+ Standard
- 5 Year, 50,000 Hour Fixture Warranty
- 2700K, 3000K, 3500K, 4000K & 5000K Color Temperatures Available
- Enlighted/Wattstopper Sensors Available

APPLICATIONS	Offices, Lobbies, Retail Stores, Classrooms, Reception Areas & Corridors			
CONSTRUCTION	Extruded Aluminum Housing with Die Cast Ends. Formed Steel Gear Tray	OPTICS	Extruded High Transmission Satin Acrylic Lens With No LED Imaging (D), Lightly Frosted Lens (IN).	
WARRANTY	5 Year Limited Warranty (Covers Standard Components)		FINISH	Standard Powder-Coated White. Custom RAL Colors Available
FIXTURE RATINGS & CERTIFICATIONS	Union Made ETL Listed	Made In The USA Damp Location Rated	 	

ELECTRICAL Integral Driver With 0-10V 10% Dimming Standard. Several Driver Options Available.

EXTRUSION DIMENSIONS



LED SYSTEM INFORMATION

	Nominal System Watts		Nominal Delivered Lumens		Nominal Efficacy
	DIRECT	INDIRECT	DIRECT	INDIRECT	
Standard (LTG1)	7.5 W/ft	7.5 W/ft	500 Lm/ft	625 Lm/ft	80 Lm/W
Low (LTG2)	5.25 W/ft	5.25 W/ft	350 Lm/ft	435 Lm/ft	81 Lm/W
High (LTG3)	9 W/ft	9 W/ft	650 Lm/ft	780 Lm/ft	76 Lm/W

Based on a 3500K luminaire using one driver. Please consult factory for custom lumen outputs & wattage.

ORDERING	1	2	3	4-IN	4-D	5	6	7	8	9	10
-----------------	---	---	---	------	-----	---	---	---	---	---	----

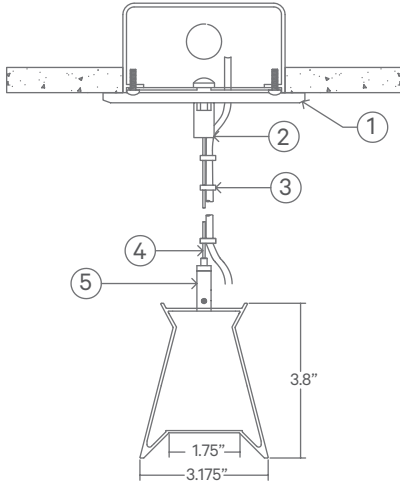
1 - FIXTURE ID PIER LED UPDN	2 - LENGTH 2 - 2 ft 4 - 4 ft 8 - 8 ft x'-x" - Custom (specify length) **Patterns available, consult factory	3 - COLOR TEMP 27 - 2700K/90 CRI 30 - 3000K/90 CRI 35 - 3500K/90 CRI 40 - 4000K/90 CRI 50 - 5000K/90 CRI TW* - Tunable White RGBW* - RGB + 3000K *Must use DMX Driver (Remote)	4 - LED SYSTEM IN - INDIRECT LTG1 - Standard LTG2 - Low LTG3 - High C - Custom Output (ie-C550Lm/ft)	D - DIRECT LTG1 - Standard LTG2 - Low LTG3 - High C - Custom Output (ie-C550Lm/ft)	5 - VOLTAGE UNV - Universal (120/277V)	6 - DRIVER DB - Standard 10% Dimming (0-10V) DB1% - 1% Dimming (0-10V) DB.01% - .01% Dimming (0-10V)* LTEA* - Lutron 2-wire 1% Dimming L3DA* - Lutron 3-wire 1% Dimming LDE1* - Lutron Digital EcoSystem LDE5* - 5 Series EcoSystem; 5% Dimming *Refer to 'Electrical' Information Above DMX - For Color Tuning and RGBW*
7 - FINISH W - White (Standard) BLK - Black CC - Custom Color (provide RAL#)	8 - MOUNTING AC - Air Craft Cable (50")	9 - CIRCUIT 1CKT - Single Circuit 2CKT - Two Circuit (Separate UP/DN) EM 120V - Emergency Pack EM 277V - Emergency Pack	10 - CONTROL (OPTIONAL) WIS-205 - Integral Daylight Sensor by Wattstopper WIS-505 - Integral Occupancy Sensor by Wattstopper EIS - Integral Sensor by Enlighted			

*ELDOLED driver

DATE	PROJECT	FIRM	TYPE
------	---------	------	------

MOUNTING OPTIONS

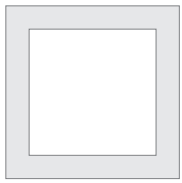
AC - Air Craft Cable (50")



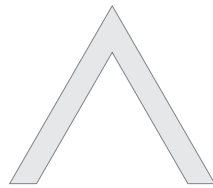
- 1 - 5" Round Canopy (Standard White Finish)
- 2 - Canopy Retainer
- 3 - S-JT Cord (Standard White)
- 4 - Air Craft Cable
- 5 - Gripper

CORNERS & PATTERNS

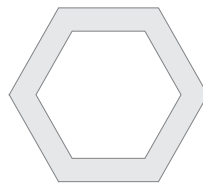
Available with illuminated corners, angles, and custom patterns. **Must consult factory for custom corners and patterns.**



Square Patterns



Custom Angles

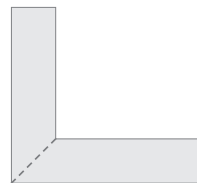


Custom Patterns

LENS CUT OPTIONS



Straight-cut



Mitered Angle

NOTE: Straight-Cut is standard configuration, Mitered Angle is optional and must be specified.