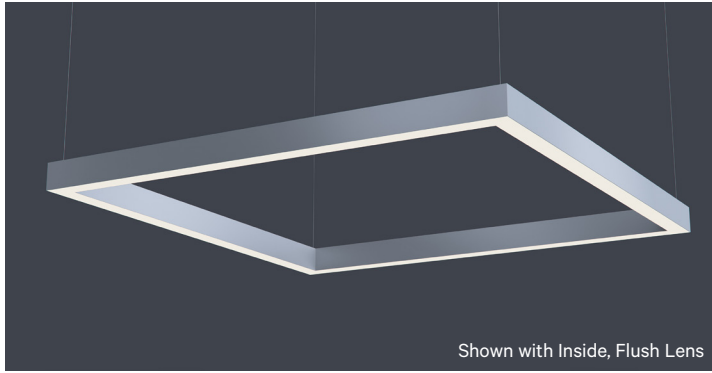




DATE	PROJECT	FIRM	TYPE
------	---------	------	------



Decorative, square-patterned pendant luminaire with small profile using either flush or pop-out lens. Lens options can be directed inward or down. Available in all upright using flush lens only.

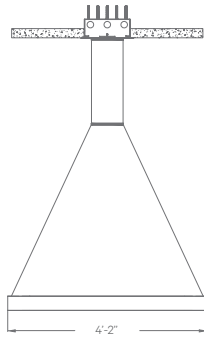
FEATURES

- Damp Location Rated
- CRI 90+ Standard
- 5 Year, 50,000 Hour Fixture Warranty
- 2700K, 3000K, 3500K, 4000K & 5000K Color Temperatures Available
- Enlighted/Wattstopper Sensors Available
- Rated Life- 100,000 hours at L70; 50,000 hours at L90

APPLICATIONS	Offices, Lobbies, Retail Stores, Classrooms, Reception Areas & Corridors		
CONSTRUCTION	Extruded Aluminum Housing and Steel Gear Tray.	OPTICS	Extruded High Transmission Satin Acrylic Lens With No LED Imaging. Additional Optics Available.
WARRANTY	5 Year Limited Warranty (Covers Standard Components)	FINISH	Standard Powder-Coated White. Custom RAL Colors Available
FIXTURE RATINGS & CERTIFICATIONS	Union Made ETL Listed	Made In The USA Damp Location Rated	 

ELECTRICAL	Remote Driver With 0-10V 10% Dimming Standard Utilizing Power Over Wire System. See Below For Optional Lutron Dimming Information
	2-Wire Forward Phase; Hi-Lume 1% Dimming, Only Available For 120V LTEA
	3-Wire EcoSystem; Hi-lume 1% Dimming L3DA
	Digital EcoSystem; Hi-lume 1% Dimming, 'Soft-on Fade-to-black' (Required for Daylighting) LDE1
	5 Series EcoSystem; 5% Dimming LDE5

EXTRUSION DIMENSIONS



LED SYSTEM INFORMATION

	System Watts	Delivered Lumens	Efficacy
Standard (LTG1)	110 W	9,350 Lm	85 Lm/W
Low (LTG2)	80 W	7,040 Lm	88 Lm/W
High (LTG3)	140 W	11,340 Lm	81 Lm/W

Based on a 3500K luminaire using one driver. Please consult factory for custom lumen outputs & wattage.

ORDERING

1	2	3	4	5	6	7	8	9	10	11
---	---	---	---	---	---	---	---	---	----	----

1 - FIXTURE ID LS1 SQUARE	2 - SIZE 4X4	3 - COLOR TEMP 27 - 2700K/90 CRI 30 - 3000K/90 CRI 35 - 3500K/90 CRI 40 - 4000K/90 CRI 50 - 5000K/90 CRI TW* - Tunable White RGBW* - RGB + 3000K *Must use DMX Driver (Remote)	4 - LED SYSTEM LTG1 - Standard LTG2 - Low LTG3 - High C - Custom Output (ie-C550Lm/ft)	5 - VOLTAGE UNV - Universal (120/277V)	6 - DRIVER DB - Standard 10% Dimming (0-10V) DB1% - 1% Dimming (0-10V) DB.01% - .01% Dimming (0-10V) LTEA* - Lutron 2-wire 1% Dimming L3DA* - Lutron 3-wire 1% Dimming LDE1* - Lutron Digital EcoSystem LDE5* - 5 Series EcoSystem; 5% Dimming *Refer to 'Electrical' Information Above DMX - For Color Tuning and RGBW
7 - FINISH W - White (Standard) BLK - Black CC - Custom Color (provide RAL#)	8 - CONTROL EIS - Integral Sensor by Enlighted WIS - Integral Sensor by Wattstopper	9 - LENS DIRECTION DWN - Down UP - Up* IN - Inside *Not Available with 'POL' Optic	10 - OPTICS FL - Flush Lens POL - 1" Pop-out Lens	11 - OPTIONS EM 120V - Emergency Pack EM 277V - Emergency Pack	

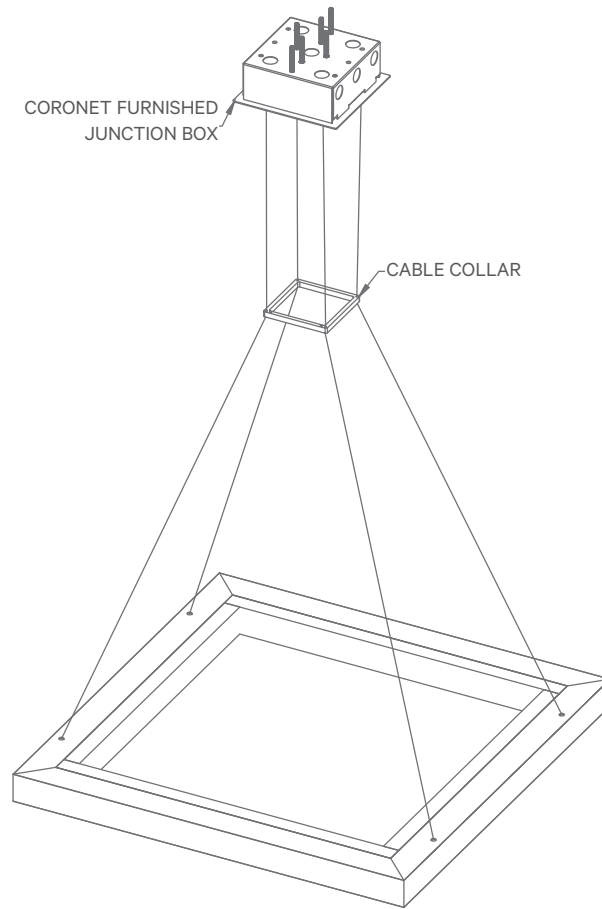
DATE

PROJECT

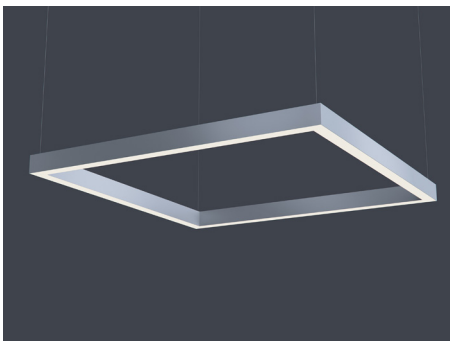
FIRM

TYPE

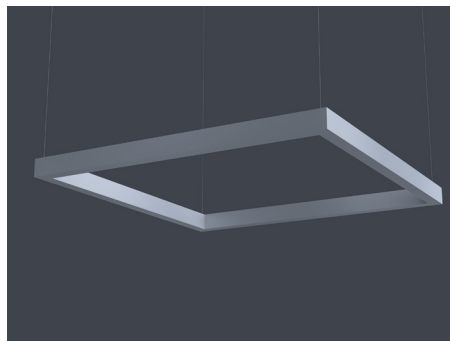
MOUNTING DETAIL



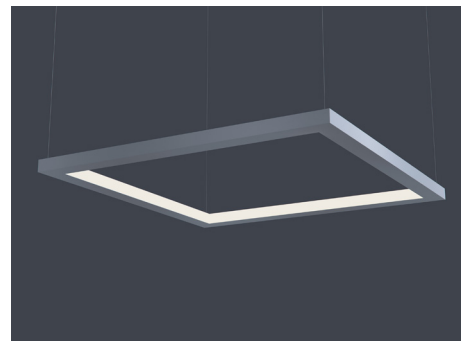
OPTIONAL LENS DIRECTION



Direct



Indirect (not available with POL option)



Inside