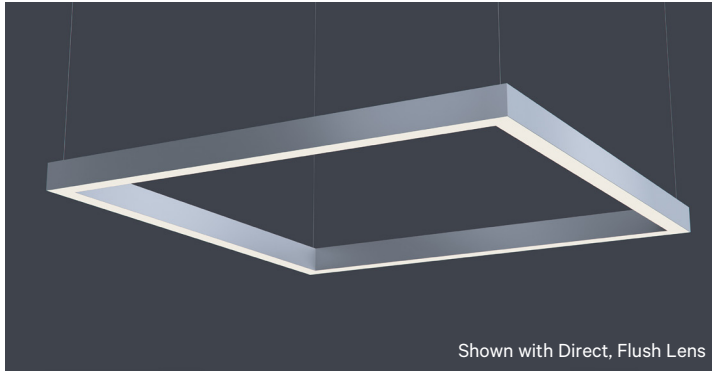




DATE	PROJECT	FIRM	TYPE
------	---------	------	------



Decorative, square-patterned pendant luminaire with small profile using either flush or pop-out lens. Lens options can be directed up, inward or down. Pop-out lens only available with direct/down configuration.

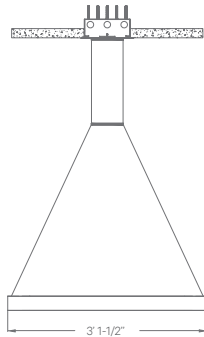
### FEATURES

- Damp Location Rated
- CRI 90+ Standard
- 5 Year, 50,000 Hour Fixture Warranty
- 2700K, 3000K, 3500K, 4000K & 5000K Color Temperatures Available
- Enlighted/Wattstopper Sensors Available
- Rated Life- 100,000 hours at L70; 50,000 hours at L90

<b>APPLICATIONS</b>	Offices, Lobbies, Retail Stores, Classrooms, Reception Areas & Corridors		
<b>CONSTRUCTION</b>	Extruded Aluminum Housing and Steel Gear Tray.	<b>OPTICS</b>	Extruded High Transmission Satin Acrylic Lens With No LED Imaging. Additional Optics Available.
<b>WARRANTY</b>	5 Year Limited Warranty (Covers Standard Components)	<b>FINISH</b>	Standard Powder-Coated White. Custom RAL Colors Available
<b>FIXTURE RATINGS &amp; CERTIFICATIONS</b>	Union Made ETL Listed	Made In The USA Damp Location Rated	 

<b>ELECTRICAL</b>	Remote Driver With 0-10V 10% Dimming Standard Utilizing Power Over Wire System. See Below For Optional Lutron Dimming Information
	2-Wire Forward Phase; Hi-Lume 1% Dimming, Only Available For 120V ..... LTEA
	3-Wire EcoSystem; Hi-lume 1% Dimming ..... L3DA
	Digital EcoSystem; Hi-lume 1% Dimming, 'Soft-on Fade-to-black' (Required for Daylighting) ..... LDE1
	5 Series EcoSystem; 5% Dimming ..... LDE5

### EXTRUSION DIMENSIONS



### LED SYSTEM INFORMATION

	System Watts	Delivered Lumens	Efficacy
Standard (LTG1)	83 W	7,221 Lm	87 Lm/W
Low (LTG2)	60 W	5,340 Lm	89 Lm/W
High (LTG3)	105 W	8,715 Lm	83 Lm/W

Based on a 3500K luminaire using one driver. Please consult factory for custom lumen outputs & wattage.

<b>ORDERING</b>	1	2	3	4	5	6	7	8	9	10	11
-----------------	---	---	---	---	---	---	---	---	---	----	----

<b>1 - FIXTURE ID</b> LS1 SQUARE	<b>2 - SIZE</b> 3X3	<b>3 - COLOR TEMP</b> 27 - 2700K/90 CRI 30 - 3000K/90 CRI 35 - 3500K/90 CRI 40 - 4000K/90 CRI 50 - 5000K/90 CRI TW* - Tunable White RGBW* - RGB + 3000K  *Must use DMX Driver (Remote)	<b>4 - LED SYSTEM</b> LTG1 - Standard LTG2 - Low LTG3 - High C - Custom Output (ie-C550Lm/ft)	<b>5 - VOLTAGE</b> UNV - Universal (120/277V)	<b>6 - DRIVER</b> DB - Standard 10% Dimming (0-10V) DB1% - 1% Dimming (0-10V) DB.01% - .01% Dimming (0-10V) LTEA* - Lutron 2-wire 1% Dimming L3DA* - Lutron 3-wire 1% Dimming LDE1* - Lutron Digital EcoSystem LDE5* - 5 Series EcoSystem; 5% Dimming *Refer to 'Electrical' Information Above DMX - For Color Tuning and RGBW
<b>7 - FINISH</b> W - White (Standard) BLK - Black CC - Custom Color (provide RAL#)	<b>8 - CONTROL</b> EIS - Integral Sensor by Enlighted WIS - Integral Sensor by Wattstopper	<b>9 - LENS DIRECTION</b> DWN - Down UP - Up* IN - Inside*	<b>10 - OPTICS</b> FL - Flush Lens POL - 1" Pop-out Lens	<b>11 - OPTIONS</b> EM 120V - Emergency Pack EM 277V - Emergency Pack	

\*Not Available with 'POL' Optic

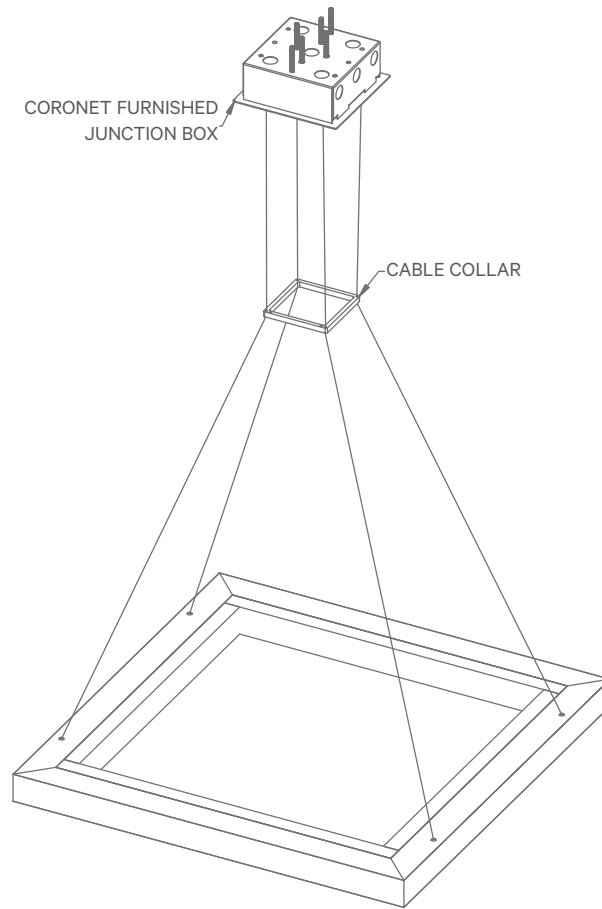
DATE

PROJECT

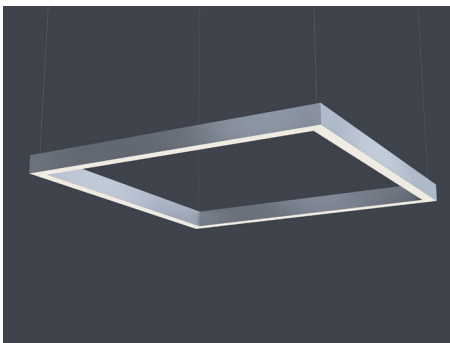
FIRM

TYPE

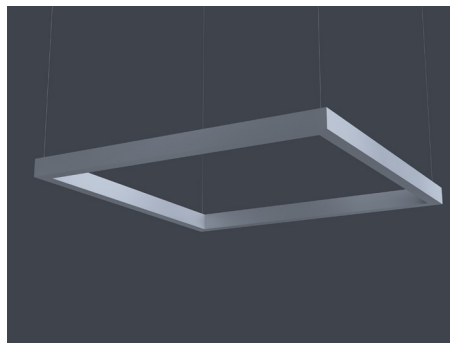
## MOUNTING DETAIL



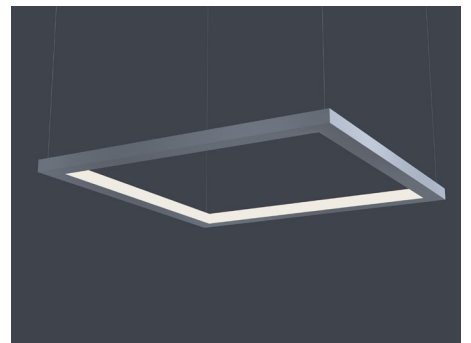
## OPTIONAL LENS DIRECTION



Direct (not available with POL option)



Indirect (not available with POL option)



Inside