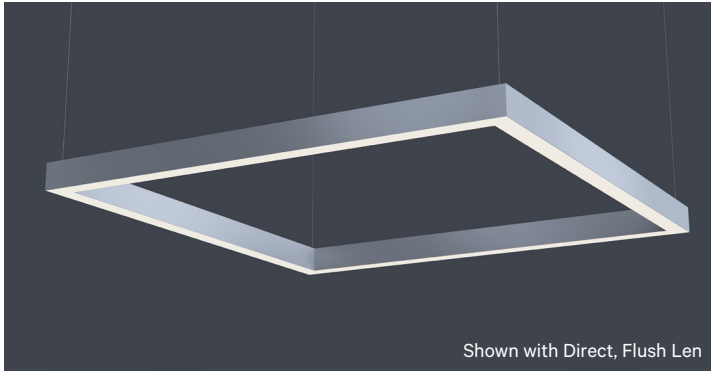




| | | | |
|------|---------|------|------|
| DATE | PROJECT | FIRM | TYPE |
|------|---------|------|------|



Decorative, square-patterned pendant luminaire with small profile using either flush or pop-out lens. Lens options can be directed up, inward or down. Pop-out lens only available with direct/down configuration.

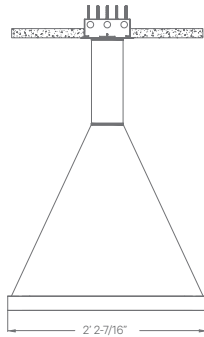
FEATURES

- Damp Location Rated
- CRI 90+ Standard
- 5 Year, 50,000 Hour Fixture Warranty
- 2700K, 3000K, 3500K, 4000K & 5000K Color Temperatures Available
- Enlighted/Wattstopper Sensors Available
- Rated Life- 100,000 hours at L70; 50,000 hours at L90

| | | | | |
|---|--|--|--|---|
| APPLICATIONS | Offices, Lobbies, Retail Stores, Classrooms, Reception Areas & Corridors | | | |
| CONSTRUCTION | Extruded Aluminum Housing and Steel Gear Tray. | OPTICS | Extruded High Transmission Satin Acrylic Lens With No LED Imaging. Additional Optics Available. | |
| WARRANTY | 5 Year Limited Warranty (Covers Standard Components) | | FINISH | Standard Powder-Coated White. Custom RAL Colors Available |
| FIXTURE RATINGS & CERTIFICATIONS | Union Made ETL Listed | Made In The USA Damp Location Rated |   | |

| | | | |
|-------------------|---|--|------|
| ELECTRICAL | Remote Driver With 0-10V 10% Dimming Standard Utilizing Power Over Wire System. See Below For Optional Lutron Dimming Information | | |
| | 2-Wire Forward Phase; Hi-Lume 1% Dimming, Only Available For 120V | | LTEA |
| | 3-Wire EcoSystem; Hi-lume 1% Dimming | | L3DA |
| | Digital EcoSystem; Hi-lume 1% Dimming, 'Soft-on Fade-to-black' (Required for Daylighting) | | LDE1 |
| | 5 Series EcoSystem; 5% Dimming | | LDE5 |

EXTRUSION DIMENSIONS



LED SYSTEM INFORMATION

| | System Watts | Delivered Lumens | Efficacy |
|-----------------|--------------|------------------|----------|
| Standard (LTG1) | 55 W | 4,900 Lm | 89 Lm/W |
| Low (LTG2) | 40 W | 3,640 Lm | 91 Lm/W |
| High (LTG3) | 70 W | 5,950 Lm | 85 Lm/W |

Based on a 3500K luminaire using one driver. Please consult factory for custom lumen outputs & wattage.

| | | | | | | | | | | | |
|-----------------|---|---|---|---|---|---|---|---|---|----|----|
| ORDERING | 1 | 2 | 3 | 4 | 5 | 6 | 7 | 8 | 9 | 10 | 11 |
|-----------------|---|---|---|---|---|---|---|---|---|----|----|

| | | | | | |
|--|--|---|---|---|---|
| 1 - FIXTURE ID LS1 SQUARE | 2 - SIZE 2X2 | 3 - COLOR TEMP 27 - 2700K/90 CRI 30 - 3000K/90 CRI 35 - 3500K/90 CRI 40 - 4000K/90 CRI 50 - 5000K/90 CRI TW* - Tunable White RGBW* - RGB + 3000K *Must use DMX Driver (Remote) | 4 - LED SYSTEM LTG1 - Standard LTG2 - Low LTG3 - High C - Custom Output (ie-C550Lm/ft) | 5 - VOLTAGE UNV - Universal (120/277V) | 6 - DRIVER DB - Standard 10% Dimming (0-10V) DB1% - 1% Dimming (0-10V) DB.01% - .01% Dimming (0-10V) LTEA* - Lutron 2-wire 1% Dimming L3DA* - Lutron 3-wire 1% Dimming LDE1* - Lutron Digital EcoSystem LDE5* - 5 Series EcoSystem; 5% Dimming *Refer to 'Electrical' Information Above DMX - For Color Tuning and RGBW |
| 7 - FINISH W - White (Standard) BLK - Black CC - Custom Color (provide RAL#) | 8 - CONTROL EIS - Integral Sensor by Enlighted WIS - Integral Sensor by Wattstopper | 9 - LENS DIRECTION DWN - Down UP - Up* IN - Inside* | 10 - OPTICS FL - Flush Lens POL - 1" Pop-out Lens | 11 - OPTIONS EM 120V - Emergency Pack EM 277V - Emergency Pack | |

*Not Available with 'POL' Optic

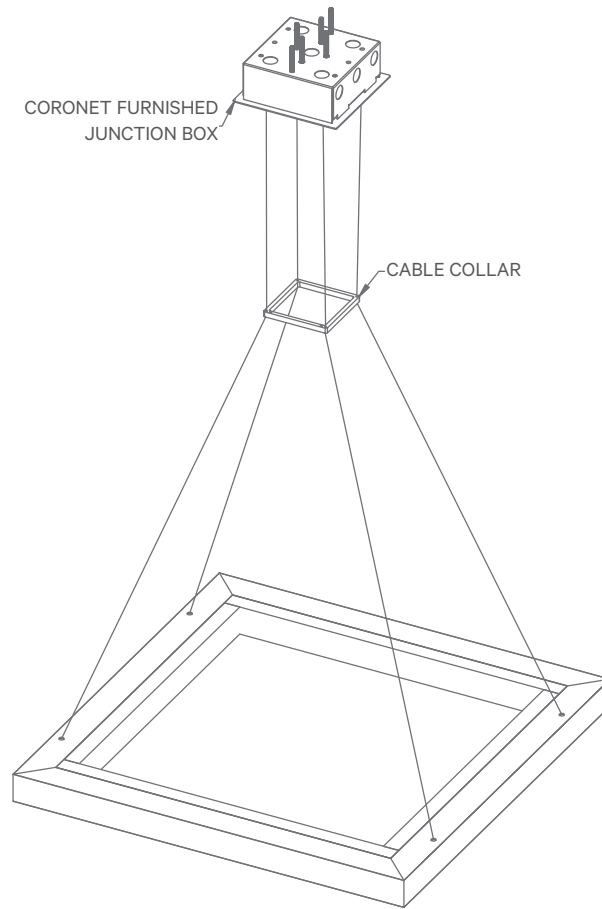
DATE

PROJECT

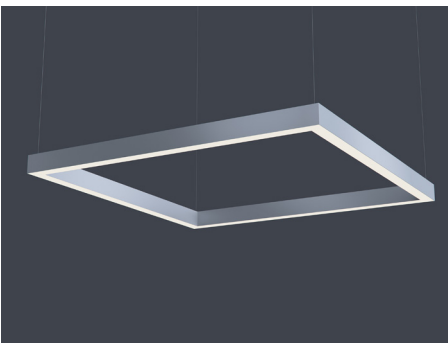
FIRM

TYPE

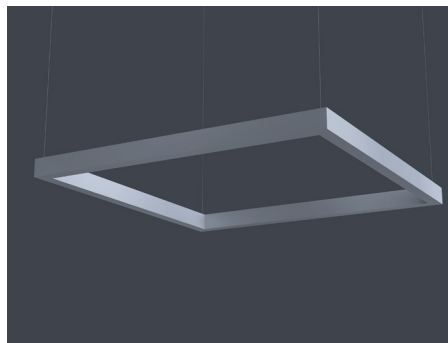
MOUNTING DETAIL



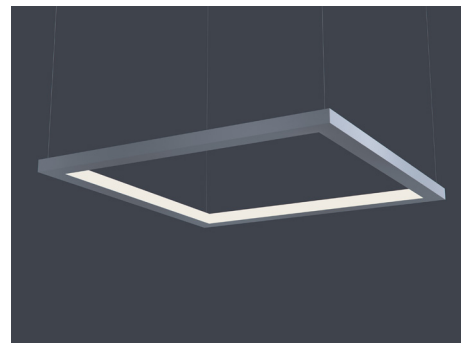
OPTIONAL LENS DIRECTION



Direct (not available with POL option)



Indirect (not available with POL option)



Inside