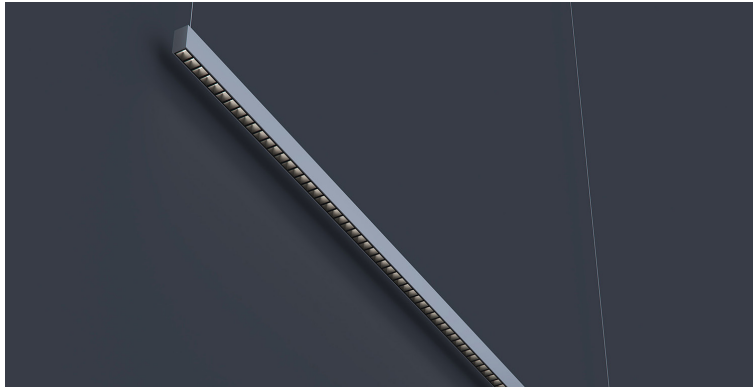


DATE	PROJECT	FIRM	TYPE
------	---------	------	------



Architectural luminaire with very low profile using a specially designed reflector optic to shield and control beam spread. Custom outputs and colors available.

### FEATURES

- Optional 'Power Over Wire' System
- Available In Custom Lengths & Long Runs (to the nearest 4" increment)
- Corners & Patterns Available (Consult Factory)
- 100% Downlight
- Damp Location Rated
- CRI 90+ Standard
- 5 Year Fixture Warranty
- 2700K, 3000K, 3500K, and 4000K Color Temperatures Available
- Rated Life- 100,000 hours at L70; 50,000 hours at L90

**APPLICATIONS** Offices, Reception Areas, Retail, Video Conferences & Corridors

**CONSTRUCTION** Extruded Aluminum Housing With Die Cast Aluminum End Caps

**OPTICS** Custom, Injection-Molded Reflector Optic. Available in Wide or Narrow Beam Configurations. Optional White or Black.

**WARRANTY** 5 Year Limited Warranty (Covers Standard Components)

**FINISH** Standard Powder-Coated White or Black. Custom RAL Colors Available

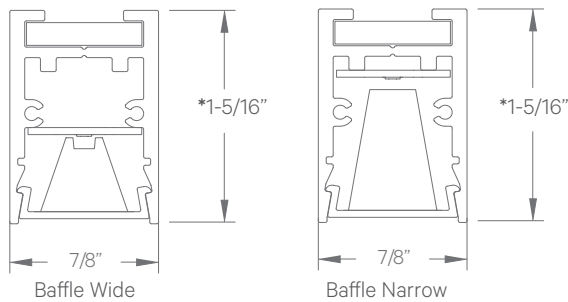
**FIXTURE RATINGS & CERTIFICATIONS** Union Made Made In The USA  
ETL Listed Damp Location Rated



**ELECTRICAL** 0-10V Remote Driver with 10% Dimming. Optional 'Power Over Wire' Eliminates Power Feed Cord by Combining the Aircraft Cable and Power Feed. 0-10 1% Dimming Driver also available.

2-Wire Forward Phase; Hi-Lume 1% Dimming, Only Available For 120V ..... LTEA  
 3-Wire EcoSystem; Hi-lume 1% Dimming ..... L3DA  
 Digital EcoSystem; Hi-lume 1% Dimming, 'Soft-on Fade-to-black' (Required for Daylighting) ..... LDE1  
 5 Series EcoSystem; 5% Dimming ..... LDE5

### EXTRUSION DIMENSIONS



### LED SYSTEM INFORMATION

	Nominal System Watts	Nominal Delivered Lumens
Standard (LTG1)	5.25 W/ft	475 Lm/ft
Low (LTG2)	3.5 W/ft	350 Lm/ft
High (LTG3)	7.25 W/ft	720 Lm/ft

Based on a 3500K luminaire using one driver and 'BWW' option. Please consult factory for custom lumen outputs & wattage.

\*Please Note: Fixture depth is 1-3/4" when using 'ACP' Option

### ORDERING

<b>1 - FIXTURE ID</b> RUSH SHARP	<b>2 - LENGTH</b> 4 - 4 ft 8 - 8 ft x"-x" - Custom (specify length to nearest 4")	<b>3 - COLOR TEMP</b> 27 - 2700K/90 CRI 30 - 3000K/90 CRI 35 - 3500K/90 CRI 40 - 4000K/90 CRI	<b>4 - LED SYSTEM</b> LTG1 - Standard LTG2 - Low LTG3 - High C - Custom Output (ie-C3500Lm)	<b>5 - VOLTAGE</b> UNV - Universal (120/277V)	<b>6 - DRIVER</b> DB - Standard 10% Dimming (0-10V) DB1% - 1% Dimming (0-10V) DB.01% - .01% Dimming (0-10V) LTEA* - Lutron 2-wire 1% Dimming L3DA* - Lutron 3-wire 1% Dimming LDE1* - Lutron Digital EcoSystem LDE5* - 5 Series EcoSystem; 5% Dimming
-------------------------------------	--	---	---	--	--

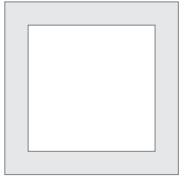
\*Refer to 'Electrical' Information Above

<b>7 - FINISH</b> W - White (Standard) BLK - Black CC - Custom Color (provide RAL#)	<b>8 - MOUNTING</b> AC - Air Craft Cable (50") SM - Surface Mount ACP - Power Over Aircraft Cable	<b>9 - OPTICS</b> BNB - Baffle Narrow - Black BWB - Baffle Wide - Black BNW - Baffle Narrow - White BWW - Baffle Wide - White	<b>10 - OPTIONS</b> EM 120V - Emergency Pack (Remote) EM 277V - Emergency Pack (Remote)
--	--	---	---

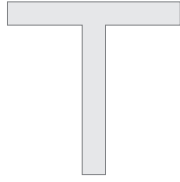
DATE	PROJECT	FIRM	TYPE
------	---------	------	------

## CORNERS & PATTERNS

Available with 90° corners; **must consult factory.**



Square Patterns



T Patterns

## ACP- 'Power Over Air Craft Cable' Option:

\*PLEASE NOTE: EXTRUSION IS 1-3/4" TALL WHEN USING ACP OPTION

