

INSTALLATION GUIDE-PENDANT



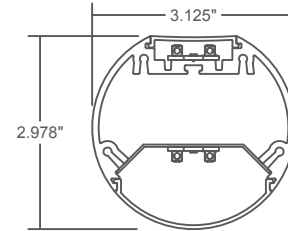
Risk of fire and electrical shock. In accordance with national local building and electrical codes, CORONET lighting fixtures must be installed by a qualified electrician. Disconnect power at electrical panel before servicing.

PART LIST

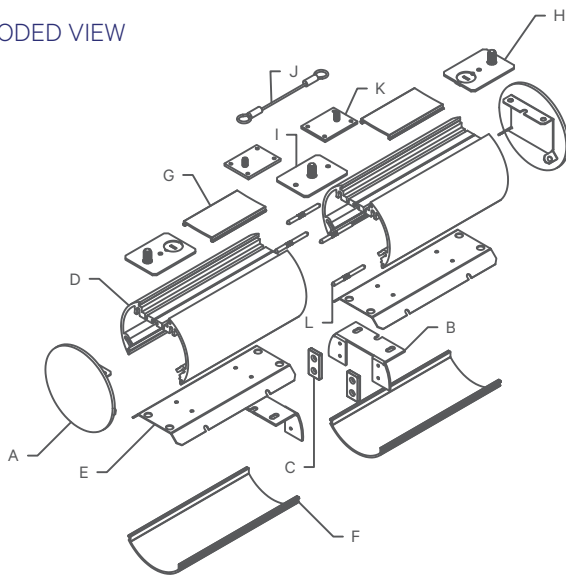
- A-End Plate
- B-Connection Bracket
- C-Magnet
- D-Extrusion
- E-LED Tray
- F-Bottom Lens
- G-Top Lens
- H-Hanging Bracket
- I-Center Hanging Bracket
- J-Safety Cable

- K-Safety Cable Anchor
- L-Alignment Pins

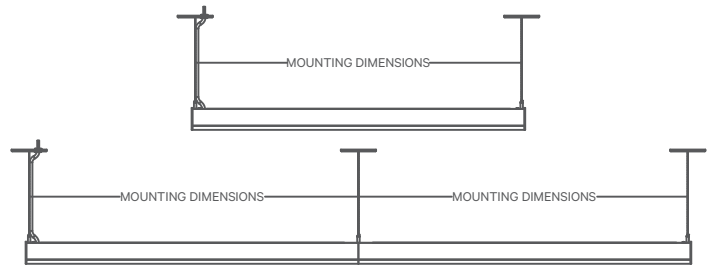
CROSS SECTION VIEW



EXPLODED VIEW

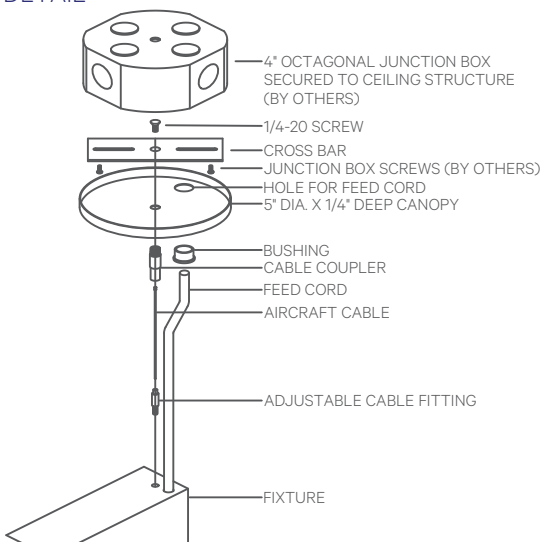


SIDE VIEW

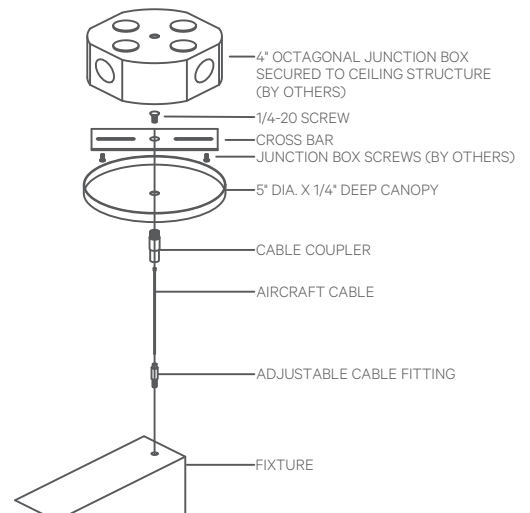


PLEASE CONSULT FACTORY SHOP DRAWINGS FOR SUSPENSION POINTS

FEED DETAIL



NON FEED DETAIL

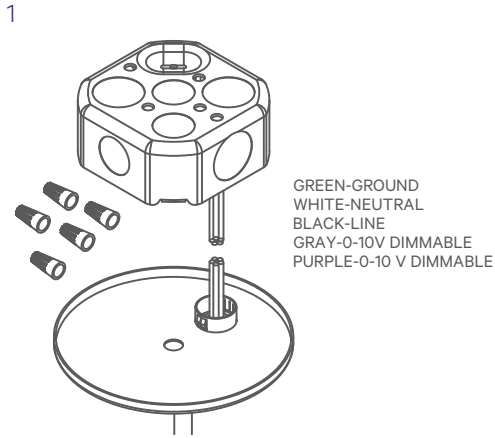


NOTE: JUNCTION BOXES MUST BE SOLIDLY FIXED TO THE CEILING AND ATTACHED TO THE STRUCTURAL MEMBER INSIDE THE CEILING BEFORE PROCEEDING WITH INSTALLATION.

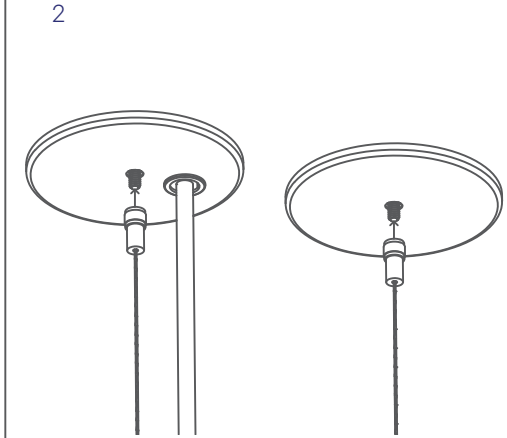
INSTALLATION GUIDE-PENDANT



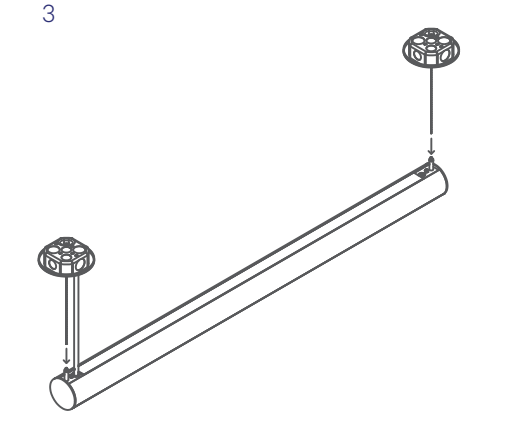
Risk of fire and electrical shock. In accordance with national local building and electrical codes, CORONET lighting fixtures must be installed by a qualified electrician. Disconnect power at electrical panel before servicing.



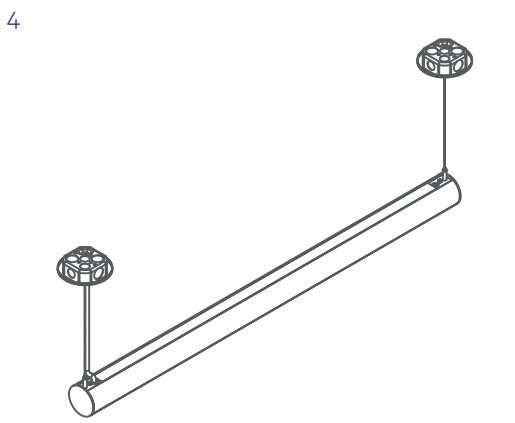
With the power to the fixture circuit off, connect the fixture power cord to the power feed in the junction box. (Wire connectors by others)



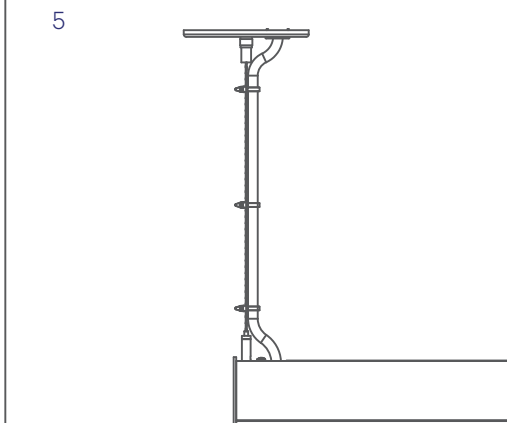
A canopy is needed at all suspension points. Using the 1/4-20 cross bar screw, position the canopy and secure in place with the cable coupler.



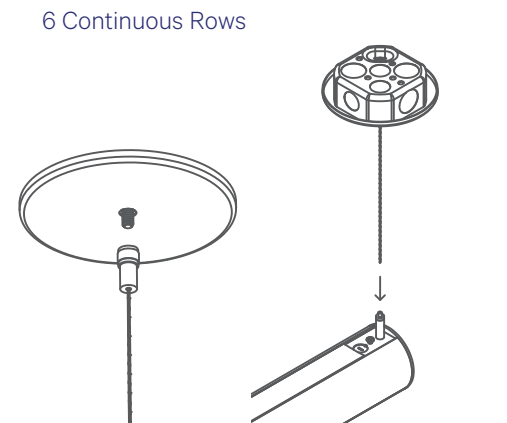
Insert the aircraft cable into the cable grippers on both sides of the fixture



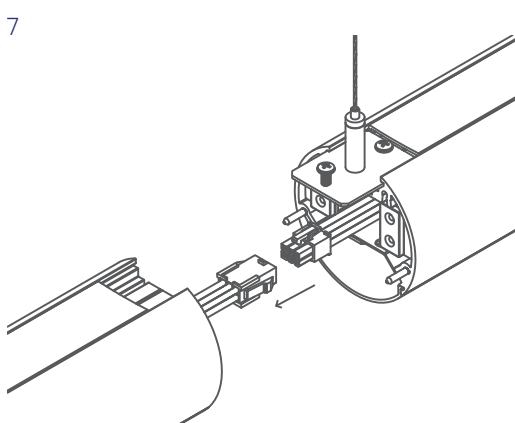
Adjust the aircraft cables until the desired height is achieved.



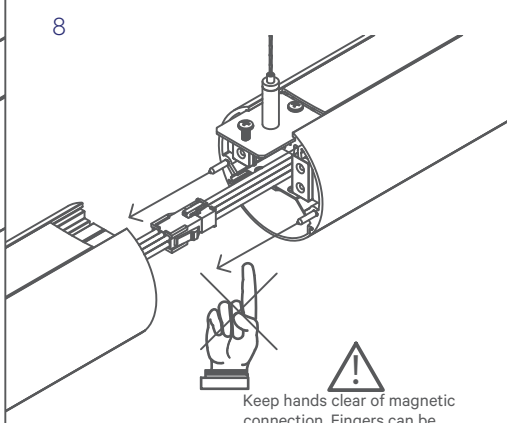
Secure power cord to aircraft cable using plastic cable ties.



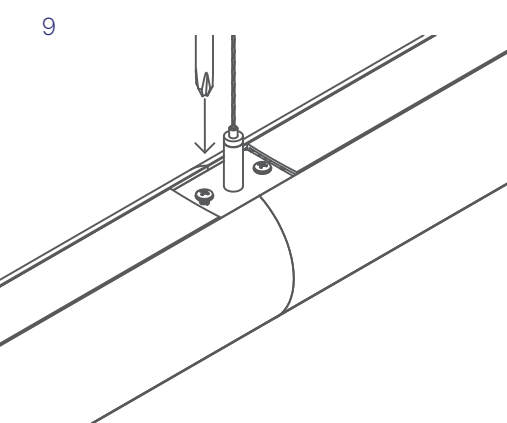
Follow steps 1-5 to mount first fixture in place. Mount second fixture in place using steps 2-4



Before connecting the two fixtures, connect the wiring harness.



Align the two fixtures using the alignment pins. Warning: Keep hands clear of connection.



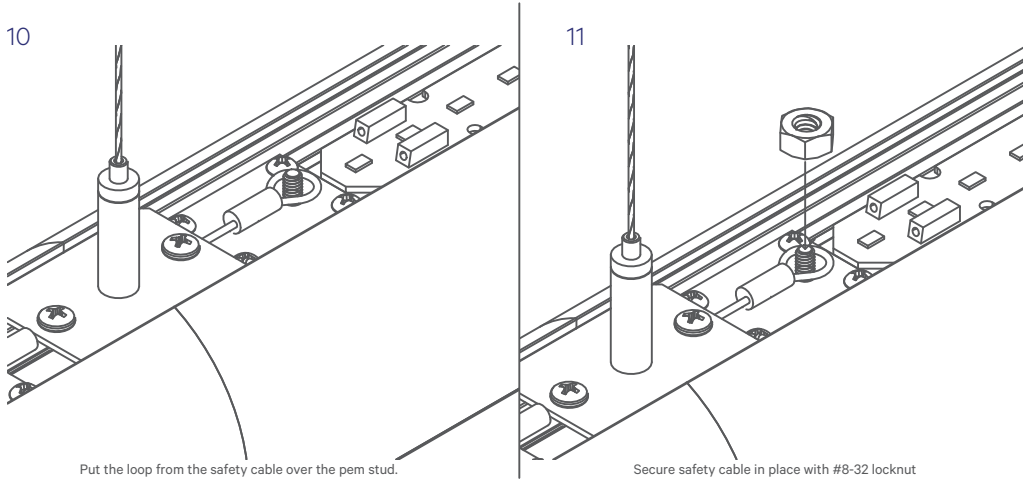
Secure the screw in place, ensuring that the screw head sits flush with the center hanging bracket.

NOTE: JUNCTION BOXES MUST BE SOLIDLY FIXED TO THE CEILING AND ATTACHED TO THE STRUCTURAL MEMBER INSIDE THE CEILING BEFORE PROCEEDING WITH INSTALLATION.

INSTALLATION GUIDE-PENDANT



Risk of fire and electrical shock. In accordance with national local building and electrical codes, CORONET lighting fixtures must be installed by a qualified electrician. Disconnect power at electrical panel before servicing.



GENERAL INSTALLATION CONSIDERATIONS - See submittal drawings for job specific data.

Operating Temperature.....-40°C to 50°C
 Operating Voltage.....110VAC-277VAC, 50Hz-60Hz
 Weight.....5.1 lb/ft
 Dimensions.....See submittal drawings

- Installation by a certified electrician only.
- Read and understand the installation instructions before attempting to install or use the fixture.
- Only use fixtures with voltage for which it is rated. Do not exceed the specified voltage and current input.
- Do not use the fixture if the housing, lens, or power cable is damaged.
- Ensure that the main power supply is off before installing or wiring the fixture.
- Method of wire connection to be determined by local electrical codes and regulations.
- The external flexible cable of this luminaire cannot be replaced; if the cord is damaged, contact Coronet.
- The light source contained in this luminaire shall only be replaced by the lighting manufacturer or his service agent or a similar qualified person.

Please contact our technical support team for assistance.

NOTE: JUNCTION BOXES MUST BE SOLIDLY FIXED TO THE CEILING AND ATTACHED TO THE STRUCTURAL MEMBER INSIDE THE CEILING BEFORE PROCEEDING WITH INSTALLATION.