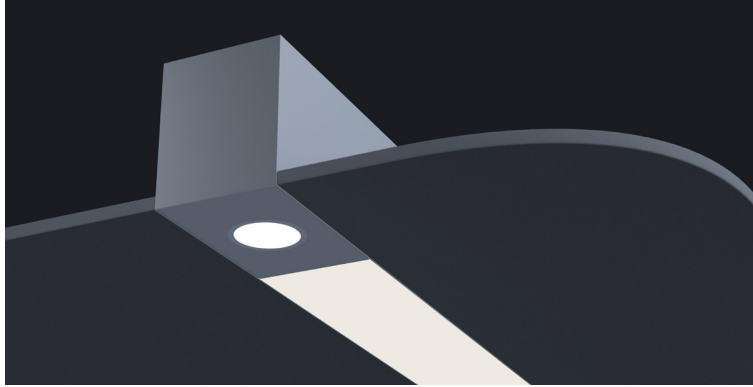




DATE	PROJECT	FIRM	TYPE
------	---------	------	------



Linear, recessed, architectural luminaire with accent downlighting. 3" aperture. Suitable for grid system and drywall installation as well as custom mounting requests.

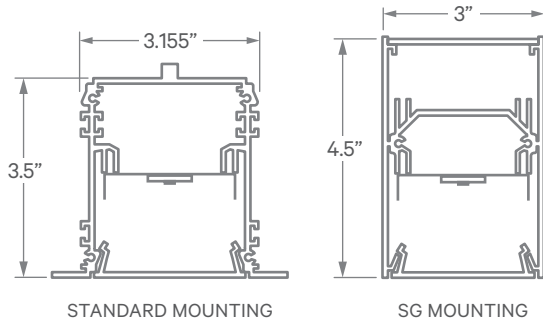
FEATURES

- Available In Custom Lengths & Long Runs To 1/16" Accuracy
- Corners & Patterns Available (See Page 3)
- Optional 1" Drop Below Lens, 'Pop-Out' Lens
- Damp Location Rated
- CRI 90+ Standard
- 5 Year, 50,000 Hour Fixture Warranty
- 2700K, 3000K, 3500K, 4000K & 5000K Color Temperatures Available
- Enlighted/Wattstopper Sensors Available

APPLICATIONS	Offices, Lobbies, Retail Stores, Classrooms, Reception Areas & Corridors		
CONSTRUCTION	Extruded Aluminum Housing and Steel End Caps. Formed Steel Gear Tray	OPTICS	Extruded High Transmission Satin Acrylic Lens With No LED Imaging. Accent Lighting Varies (See Page 3)
WARRANTY	5 Year Limited Warranty (Covers Standard Components)	FINISH	Standard Powder-Coated White
FIXTURE RATINGS & CERTIFICATIONS	Union Made, DLC Made In The USA listed, ETL Listed Damp Location Rated		

ELECTRICAL	Integral Driver With 0-10V 10% Dimming Standard. Several Driver Options Available. See Below For Lutron Dimming Information		
	2-Wire Forward Phase; Hi-Lume 1% Dimming, Only Available For 120V	LTEA
	3-Wire EcoSystem; Hi-lume 1% Dimming	L3DA
	Digital EcoSystem; Hi-lume 1% Dimming, 'Soft-on Fade-to-black' (Required for Daylighting)	LDE1
	5 Series EcoSystem; 5% Dimming	LDE5

EXTRUSION DIMENSIONS



LED SYSTEM INFORMATION

	Nominal System Watts	Nominal Delivered Lumens	Nominal Efficacy
Standard (LTG1)	40 W	3,160 Lm	79 Lm/W
Low (LTG2)	33W	2,650 Lm	80 Lm/W
High (LTG3)	48W	3,675 Lm	77 Lm/W

Based on a 4ft, 3500K luminaire using one driver and (2) standard 10° MR16 lamps. Output varies depending on beam spread. Additional photometric information available. Please consult factory for custom lumen outputs & wattage.

1 - FIXTURE ID LS3 MR16 LED	2 - LENGTH 2 - 2 ft 4 - 4 ft 8 - 8 ft x'-x" - Custom (specify length) **Patterns available, consult factory	3 - COLOR TEMP 27 - 2700K/90 CRI 30 - 3000K/90 CRI 35 - 3500K/90 CRI 40 - 4000K/90 CRI 50 - 5000K/90 CRI TW* - Tunable White RGBW* - RGB + 3000K *Must use DMX Driver (Remote)	4 - LED SYSTEM LTG1 - Standard LTG2 - Low LTG3 - High C - Custom Output (ie-C550Lm/ft)	5 - VOLTAGE UNV - Universal (120/277V)	6 - DRIVER DB - Standard 10% Dimming (0-10V) DB1% - 1% Dimming (0-10V) DB.01% - .01% Dimming (0-10V) LTEA* - Lutron 2-wire 1% Dimming L3DA* - Lutron 3-wire 1% Dimming LDE1* - Lutron Digital EcoSystem LDE5* - EcoSystem; 5% Dimming *Refer to 'Electrical' Information Above DMX - For Color Tuning and RGBW	7 - FINISH W - White (Standard) CC - Custom Color (provide RAL#)
8 - MOUNTING T - 9/16" Tee Grid T15 - 15/16" Tee Grid SG - Slot Grid/Interlude F - Flange NT - No Trim/Spackle Flange	9 - CONTROL EIS - Integral Sensor by Enlighted WIS - Integral Sensor by Wattstopper	10 - OPTICS SD - Standard Diffuser BW - Batwing Optic ASYM - Asymmetric	11 - OPTIONS WW - Wall Wash Reflector EM 120V - Emergency Pack EM 277V - Emergency Pack	12 - ACCENT LIGHTING (See Page 3) 10° STD - 10° Standard 25° STD - 25° Standard 36° STD - 36° Standard 60° STD - 60° Standard 25° LNR - 10° x 25° Linear 36° LNR - 10° x 36° Linear 60° LNR - 10° x 60° Linear HEX - Hexcell Louver (can add to any beam spread)		

DATE

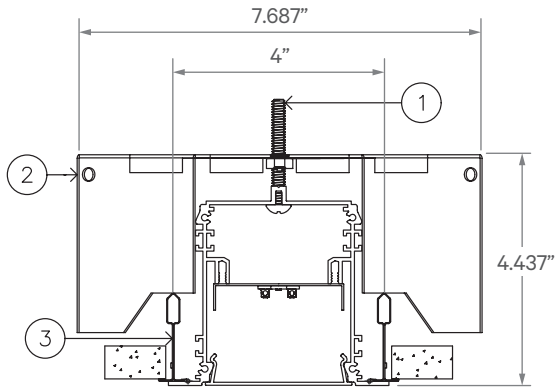
PROJECT

FIRM

TYPE

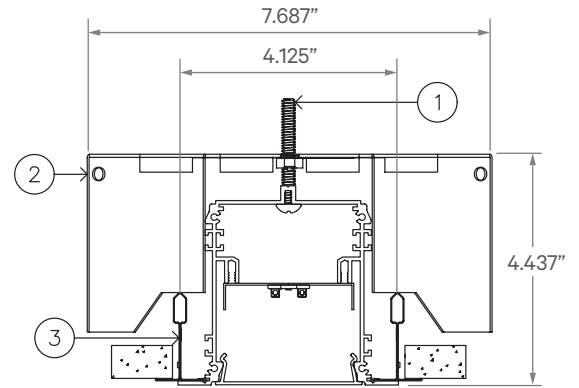
MOUNTING OPTIONS

T - 9/16" Tee Grid



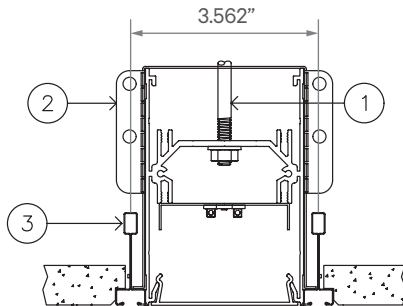
- 1 - Threaded Rod (not supplied)
- 2 - Tee Grid Bracket
- 3 - Tee Grid

T15 - 15/16" Tee Grid



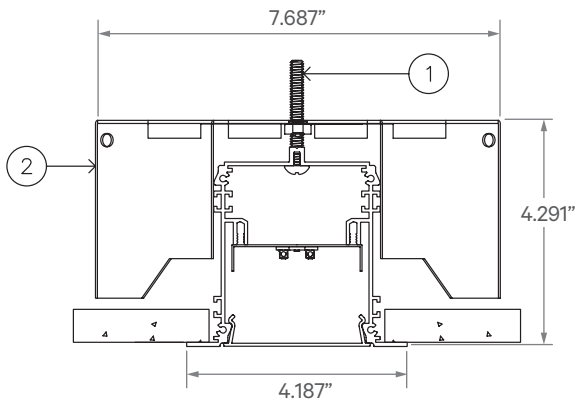
- 1 - Threaded Rod (not supplied)
- 2 - Tee Grid Bracket
- 3 - Tee Grid

SG - Slot Grid/Interlude



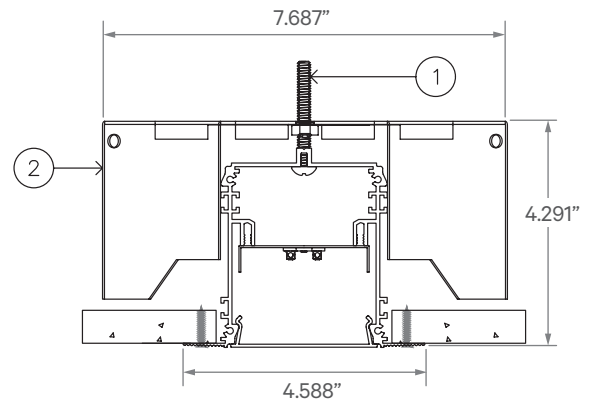
- 1 - Threaded Rod (not supplied)
- 2 - Slot Grid Bracket
- 3 - Slot Grid

F - Flange



- 1 - Threaded Rod (not supplied)
- 2 - Bracket

NT - No Trim/Spackle Flange



- 1 - Threaded Rod (not supplied)
- 2 - Bracket

DATE

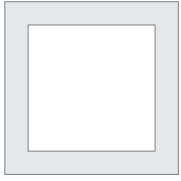
PROJECT

FIRM

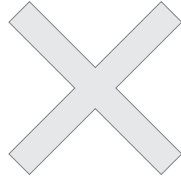
TYPE

CORNERS & PATTERNS

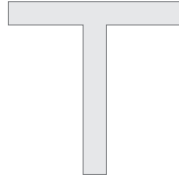
Available with illuminated corners, angles, and custom patterns. **Must consult factory for custom corners and patterns.**



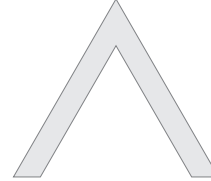
Square Patterns



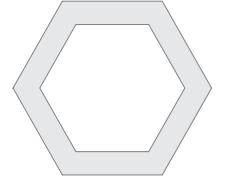
X Patterns



T Patterns



Custom Angles

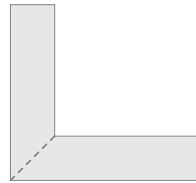


Custom Patterns

LENS CUT OPTIONS



Straight-cut
*Not Available with POL



Mitered Angle

NOTE: Straight-Cut is standard configuration, Mitered Angle is optional and must be specified.

DATE	PROJECT	FIRM	TYPE
------	---------	------	------

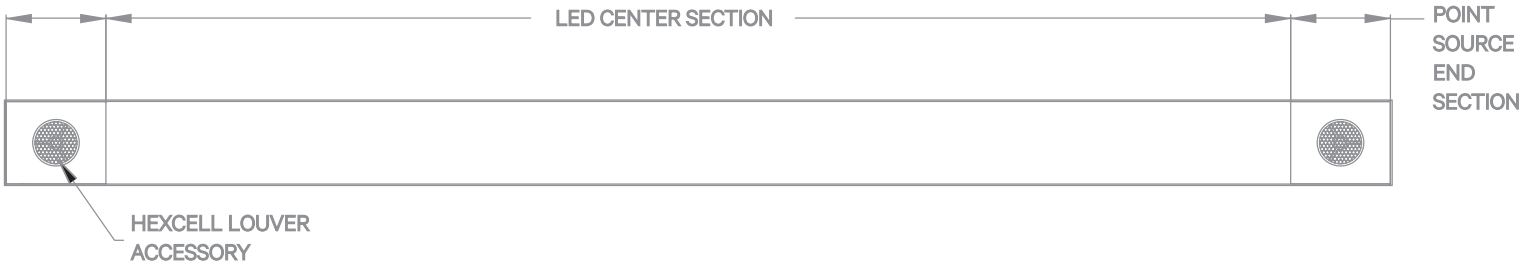
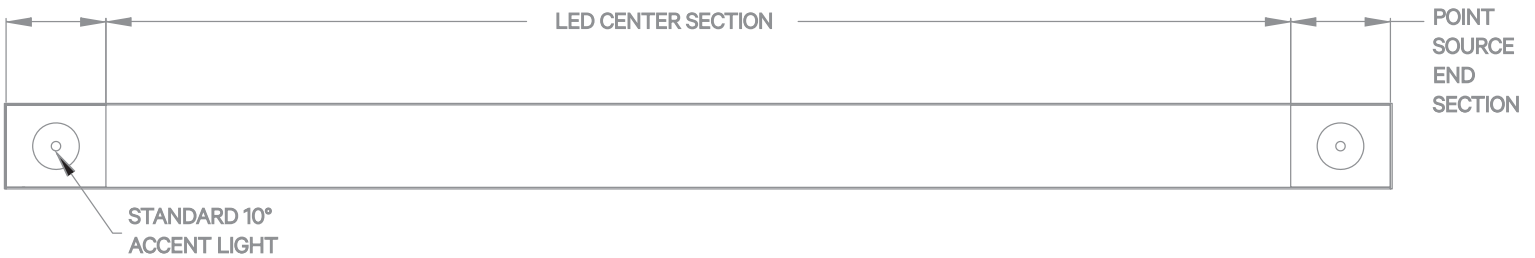
ACCENT DOWNLIGHT INFORMATION

SORAA MR16, 95CRI lamps provided with optional filters for flexible beam spread. Please note that when choosing 3500k color temperature a 4000k lamp with color correcting filter will be supplied.

OPTIONAL BEAM SPREADS AND FILTERS

- 10° Standard Lens
- 25° Circular Beam Spread*
- 36° Circular Beam Spread*
- 60° Circular Beam Spread*
- 10° x 25° Linear Beam Spread*
- 10° x 36° Linear Beam Spread*
- 10° x 60° Linear Beam Spread*
- Hexcell Louver for Reduced Glare (can be added to any beam spread)*

*Standard 10° SORAA lamp supplied with specially designed snap-in filter to create requested beam spread.



Please Note: On an individual fixture accent lights are placed on either end of the unit. For continuous runs, accent lights are placed every 8 feet. Consult Factory for alternative placement. Fixture must be a minimum of 4 feet.