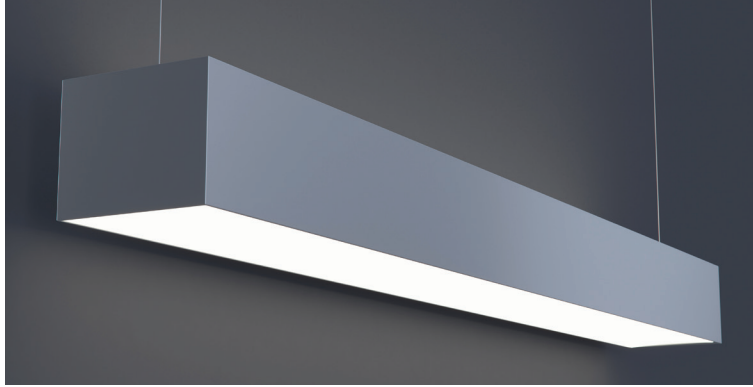




| | | | |
|------|---------|------|------|
| DATE | PROJECT | FIRM | TYPE |
|------|---------|------|------|



Architectural luminaire with direct and indirect lighting. For use in indoor applications where an LED luminaire with 6" aperture providing continuous light is required. Suitable for suspended and wall mount installation.

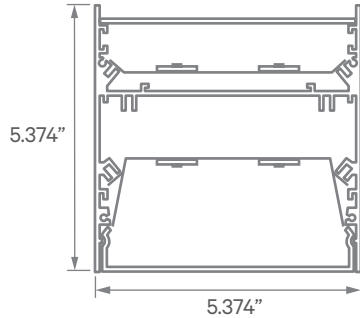
FEATURES

- Available In Custom Lengths & Long Runs To 1/16" Accuracy
- Corners & Patterns Available (See Page 2)
- Damp Location Rated
- CRI 90+ Standard
- 5 Year, 50,000 Hour Fixture Warranty
- 2700K, 3000K, 3500K, 4000K & 5000K Color Temperatures Available
- Enlighted/Wattstopper Sensors Available

| | | | | |
|---|--|--|--|---|
| APPLICATIONS | Offices, Lobbies, Retail Stores, Classrooms, Reception Areas & Corridors | | | |
| CONSTRUCTION | Extruded Aluminum Housing, Steel End Caps, Formed Steel Gear Tray | OPTICS | Extruded High Transmission Satin Acrylic Lens With No LED Imaging | |
| WARRANTY | 5 Year Limited Warranty (Covers Standard Components) | | FINISH | Standard Powder-Coated White. Custom RAL Colors Available |
| FIXTURE RATINGS & CERTIFICATIONS | Union Made ETL Listed | Made In The USA Damp Location Rated |   | |

| | | | |
|-------------------|---|--|------|
| ELECTRICAL | Integral Driver With 0-10V 10% Dimming Standard. Several Driver Options Available. See Below For Lutron Dimming Information | | |
| | 2-Wire Forward Phase; Hi-Lume 1% Dimming, Only Available For 120V | | LTEA |
| | 3-Wire EcoSystem; Hi-lume 1% Dimming | | L3DA |
| | Digital EcoSystem; Hi-lume 1% Dimming, 'Soft-on Fade-to-black' (Required for Daylighting) | | LDE1 |
| | 5 Series EcoSystem; 5% Dimming | | LDE5 |

EXTRUSION DIMENSIONS



LED SYSTEM INFORMATION

| | Nominal System Watts | | Nominal Delivered Lumens | | Nominal Efficacy |
|-----------------|----------------------|----------|--------------------------|-------------|------------------|
| | DIRECT | INDIRECT | DIRECT | INDIRECT | |
| Standard (LTG1) | 12 W/ft | 12 W/ft | 845 Lm/ft | 970 Lm/ft | 86 Lm/W |
| Low (LTG2) | 7 W/ft | 7 W/ft | 585 Lm/ft | 675 Lm/ft | 80 Lm/W |
| High (LTG3) | 14 W/ft | 14 W/ft | 1,005 Lm/ft | 1,160 Lm/ft | 112 Lm/W |

Based on a 3500K luminaire using one driver. Please consult factory for custom lumen outputs & wattage.

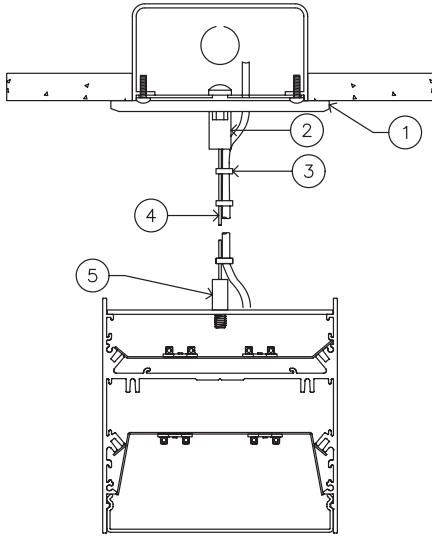
| | | | | | | | | | | | | | |
|-----------------|---|---|---|------|-----|---|---|---|---|---|-------|------|----|
| ORDERING | 1 | 2 | 3 | 4-IN | 4-D | 5 | 6 | 7 | 8 | 9 | 10-IN | 10-D | 11 |
|-----------------|---|---|---|------|-----|---|---|---|---|---|-------|------|----|

| | | | | | |
|--|---|---|--|--|---|
| 1 - FIXTURE ID LS6 LED UP/DN | 2 - LENGTH 2 - 2 ft 4 - 4 ft 8 - 8 ft x"-x" - Custom (specify length) **Patterns available, consult factory | 3 - COLOR TEMP 27 - 2700K/90 CRI 30 - 3000K/90 CRI 35 - 3500K/90 CRI 40 - 4000K/90 CRI 50 - 5000K/90 CRI TW* - Tunable White RGBW* - RGB + 3000K *Must use DMX Driver (Remote) | 4 - LED SYSTEM IN - INDIRECT LTG1 - Standard LTG2 - Low LTG3 - High C - Custom Output (ie-C550Lm/ft) | 5 - VOLTAGE D - DIRECT LTG1 - Standard LTG2 - Low LTG3 - High C - Custom Output (ie-C550Lm/ft) | 6 - DRIVER UNV - Universal (120/277V) DB - Standard 10% Dimming (0-10V) DB1% - 1% Dimming (0-10V) DB.01% - .01% Dimming (0-10V) LTEA* - Lutron 2-wire 1% Dimming L3DA* - Lutron 3-wire 1% Dimming LDE1* - Lutron Digital EcoSystem LDE5* - 5 Series EcoSystem; 5% Dimming *Refer to 'Electrical' Information Above DMX - For Color Tuning and RGBW |
| 7 - FINISH W - White (Standard) BLK - Black CC - Custom Color (provide RAL#) | 8 - MOUNTING AC - Air Craft Cable (50") WM - Wall Mount | 9 - CONTROL EIS - Integral Sensor by Enlighted WIS - Integral Sensor by Wattstopper | 10 - OPTICS IN - INDIRECT SD - Standard Diffuser | D - DIRECT SD - Standard Diffuser | 11 - OPTIONS EM 120V - Emergency Pack EM 277V - Emergency Pack |

| | | | |
|------|---------|------|------|
| DATE | PROJECT | FIRM | TYPE |
|------|---------|------|------|

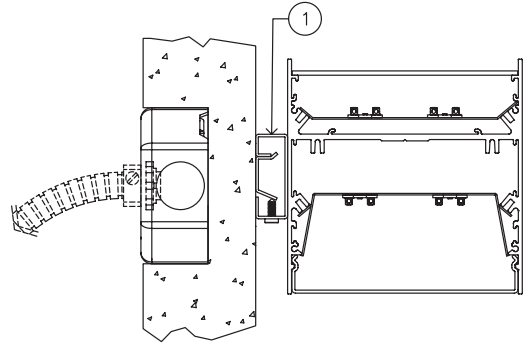
MOUNTING OPTIONS

AC - Air Craft Cable (50")



- 1 - 5" Round Canopy (Standard White Finish)
- 2 - Canopy Retainer
- 3 - S-JT Cord (Standard White)
- 4 - Air Craft Cable
- 5 - Gripper

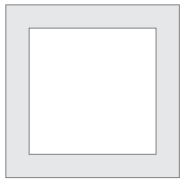
WM - Wall Mount



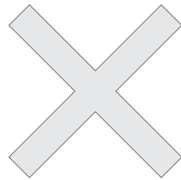
- 1 - 0.75" Wall Mount Bracket

CORNERS & PATTERNS

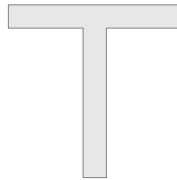
Available with illuminated corners, angles, and custom patterns. **Must consult factory for custom corners and patterns.**



Square Patterns



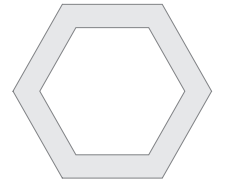
X Patterns



T Patterns

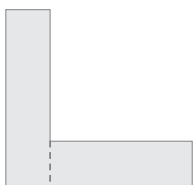


Custom Angles

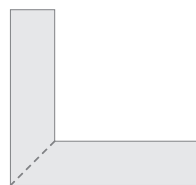


Custom Patterns

LENS CUT OPTIONS



Straight-cut



Mitered Angle

NOTE: Straight-Cut is standard configuration, Mitered Angle is optional and must be specified.

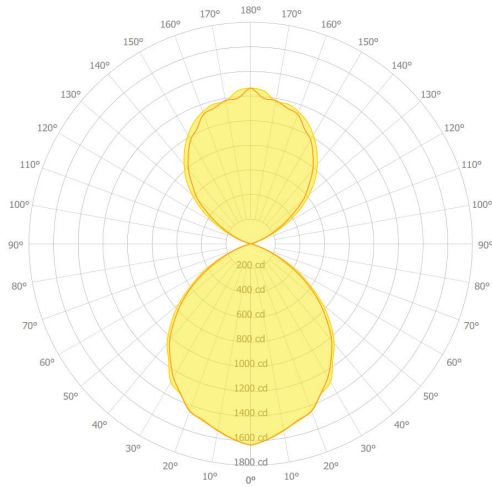
DATE

PROJECT

FIRM

TYPE

PHOTOMETRICS



LS6 LED UPDN 4FT LTG1(I) LTG1(D) 3500K

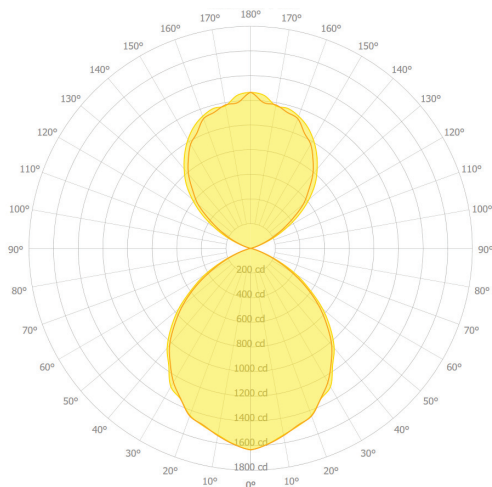
DELIVERED LUMENS: 7,247Lm

TOTAL WATTS: 84W

EFFICACY: 86 Lumens/Watt

ZONAL LUMEN SUMMARY

| ZONE | LUMENS | % LAMP | % FIXTURE |
|----------------|---------|--------|-----------|
| 0.00 - 30.00 | 1066.22 | 12.21 | 14.71 |
| 0.00 - 40.00 | 1717.72 | 19.68 | 23.70 |
| 0.00 - 60.00 | 2860.88 | 32.77 | 39.47 |
| 0.00 - 90.00 | 3353.99 | 38.42 | 46.28 |
| 90.00 - 120.00 | 526.35 | 6.03 | 7.26 |
| 90.00 - 150.00 | 2629.81 | 30.13 | 36.28 |
| 90.00 - 180.00 | 3893.88 | 44.61 | 53.72 |
| 0.00 - 180.00 | 7247.87 | 83.03 | 100.00 |



LS6 LED UPDN 4FT LTG2(I) LTG2(D) 3500K

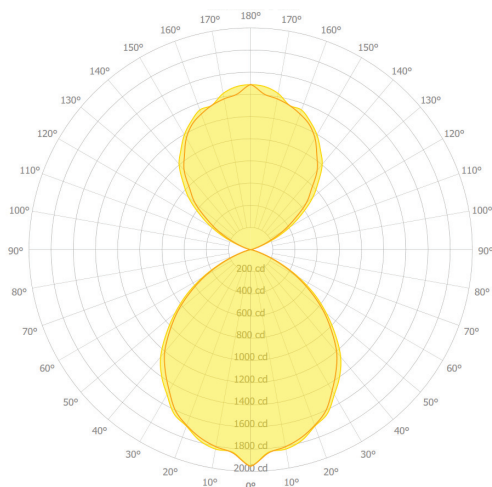
DELIVERED LUMENS: 5,023Lm

TOTAL WATTS: 56W

EFFICACY: 80 Lumens/Watt

ZONAL LUMEN SUMMARY

| ZONE | LUMENS | % LAMP | % FIXTURE |
|----------------|---------|--------|-----------|
| 0.00 - 30.00 | 740.84 | 12.24 | 14.75 |
| 0.00 - 40.00 | 1195.79 | 19.75 | 23.81 |
| 0.00 - 60.00 | 1988.99 | 32.86 | 39.60 |
| 0.00 - 90.00 | 2329.97 | 38.49 | 46.39 |
| 90.00 - 120.00 | 363.10 | 6.00 | 7.23 |
| 90.00 - 150.00 | 1817.83 | 30.03 | 36.19 |
| 90.00 - 180.00 | 2693.04 | 44.49 | 53.61 |
| 0.00 - 180.00 | 5023.02 | 82.97 | 100.00 |



LS6 LED UPDN 4FT LTG3(I) LTG3(D) 3500K

DELIVERED LUMENS: 7,191Lm

TOTAL WATTS: 77W

EFFICACY: 112 Lumens/Watt

ZONAL LUMEN SUMMARY

| ZONE | LUMENS | % LAMP | % FIXTURE |
|----------------|---------|--------|-----------|
| 0.00 - 30.00 | 1270.75 | 12.21 | 14.71 |
| 0.00 - 40.00 | 2050.01 | 19.70 | 23.74 |
| 0.00 - 60.00 | 3410.52 | 32.78 | 39.49 |
| 0.00 - 90.00 | 3997.70 | 38.42 | 46.29 |
| 90.00 - 120.00 | 625.75 | 6.01 | 7.25 |
| 90.00 - 150.00 | 3132.27 | 30.10 | 36.27 |
| 90.00 - 180.00 | 4639.31 | 44.59 | 53.71 |
| 0.00 - 180.00 | 8637.02 | 83.01 | 100.00 |