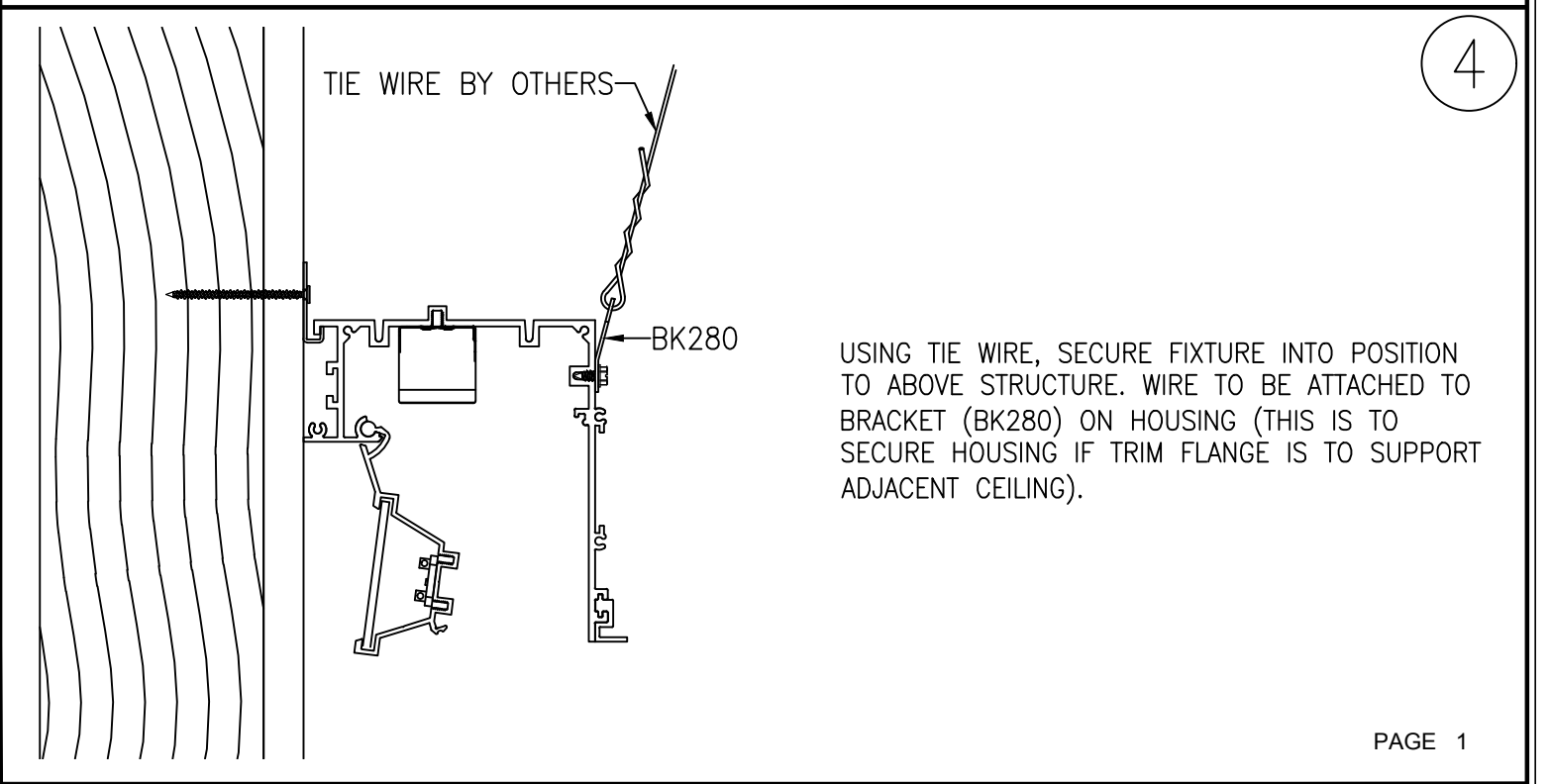
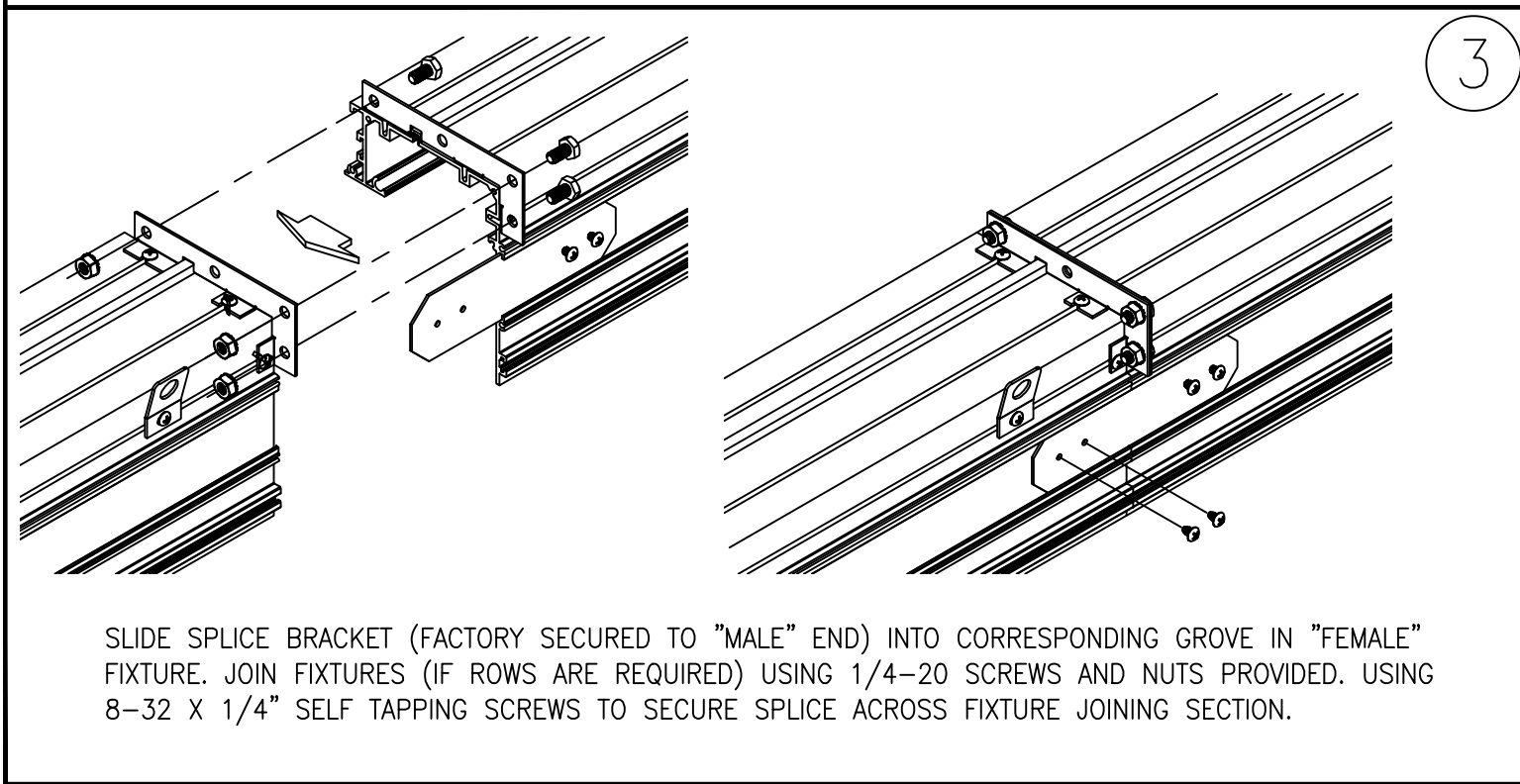
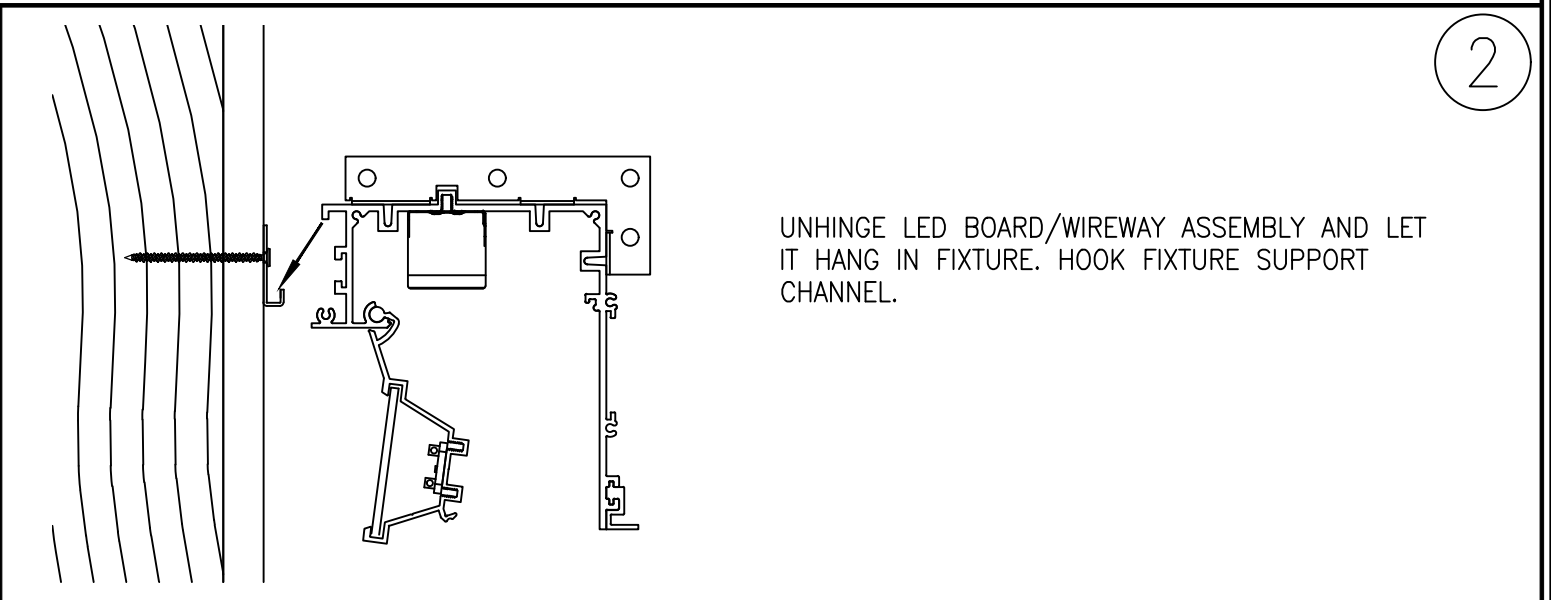
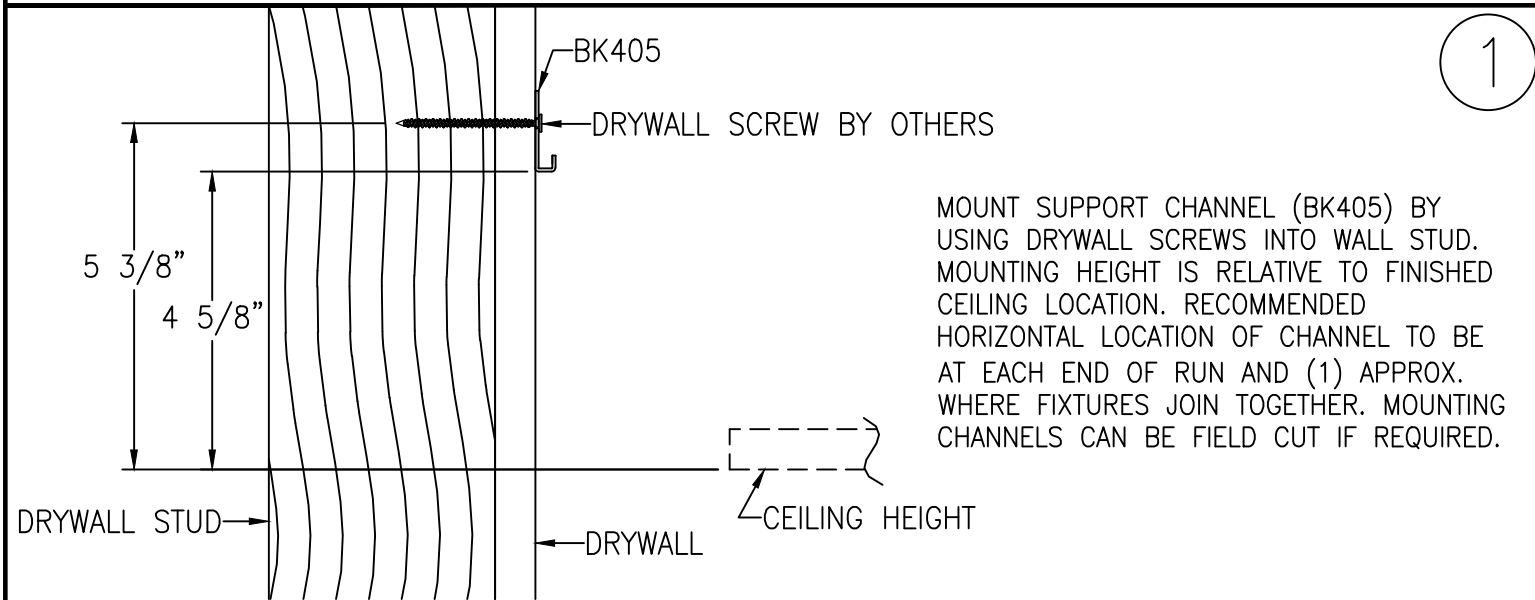




INSTALLATION SHEET FOR JDSR

TO BE USED IN CONJUNCTION WITH LAYOUT SHEET

FIXTURE NEEDS TO BE INSTALLED PRIOR TO CEILING. FIXTURE FLANGE TO ACT AS WALL ANGLE TO SUPPORT CEILING.



CORONET INC.

55 SHEPHERDS LANE, TOTOWA, NJ 07524
T: 973-345-7660 F: 973-345-8705
WWW.CORONETLED.COM



WARNING: RISK OF FIRE AND ELECTRICAL SHOCK. FIXTURE MUST BE INSTALLED BY A QUALIFIED ELECTRICIAN ONLY IN ACCORDANCE WITH NATIONAL LOCAL BUILDING AND ELECTRICAL CODES. DISCONNECT POWER AT ELECTRICAL PANEL BEFORE SERVICING.

1. CORONET INC. RESERVES THE RIGHT TO MAKE ANY DESIGN CHANGES FOR CONTINUOUS IMPROVEMENT WHICH WILL NOT AFFECT THE OVERALL APPEARANCE OR PERFORMANCE.
2. ALL CEILINGS TO BE ADEQUATELY REINFORCED BY OTHERS.
3. ALL FIXTURES TO BE WIRED BY CERTIFIED ELECTRICIAN ONLY.



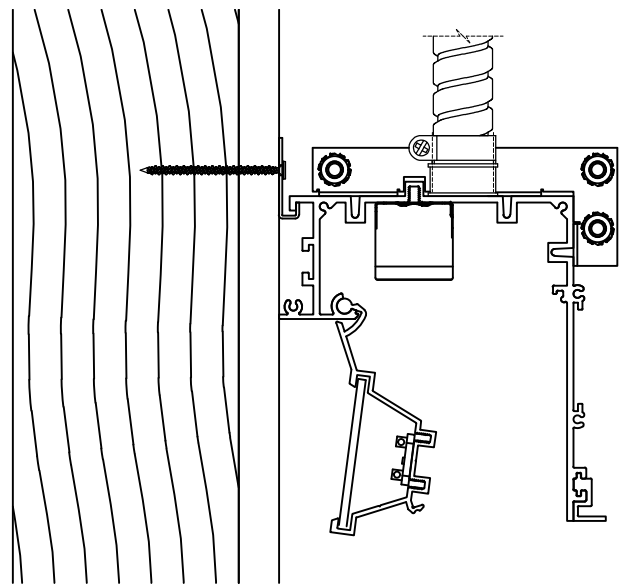


INSTALLATION SHEET FOR JDSR

TO BE USED IN CONJUNCTION WITH LAYOUT SHEET

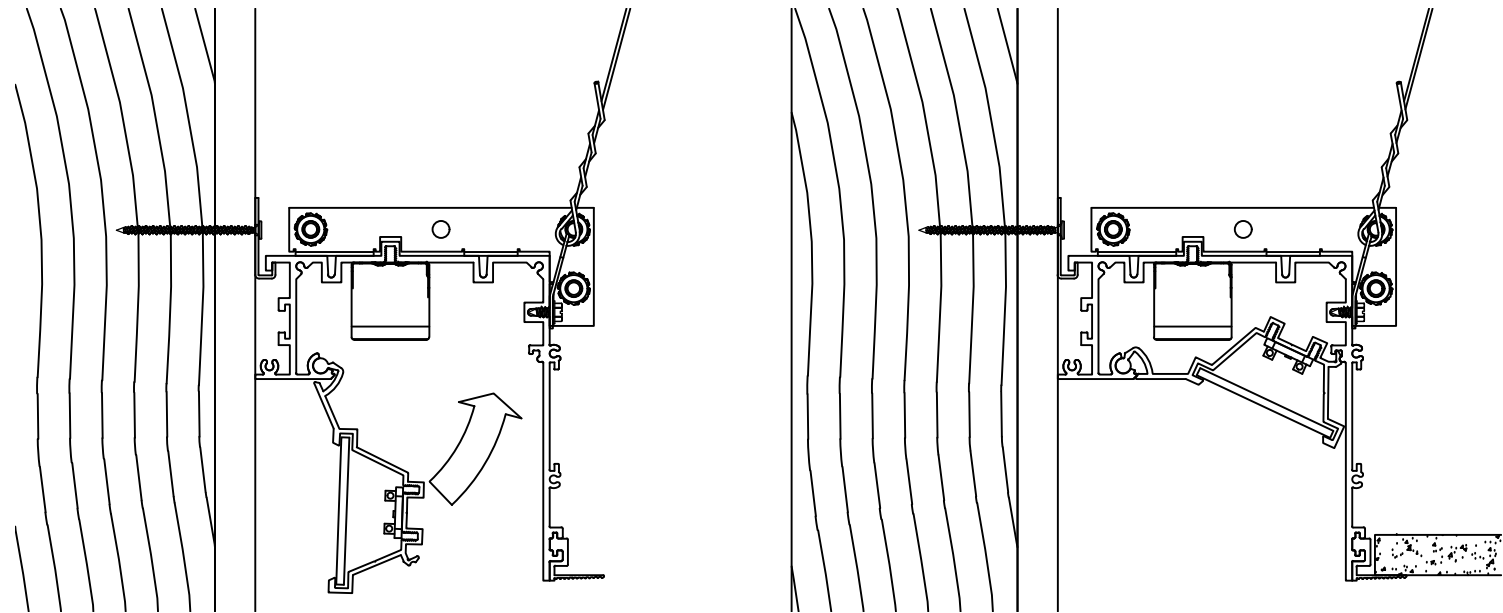
FIXTURE NEEDS TO BE INSTALLED PRIOR TO CEILING. FIXTURE FLANGE TO ACT AS WALL ANGLE TO SUPPORT CEILING.

5

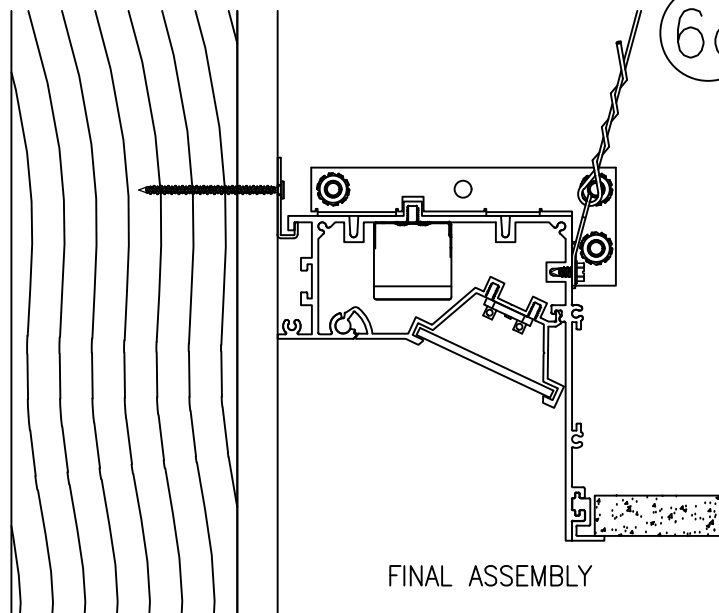
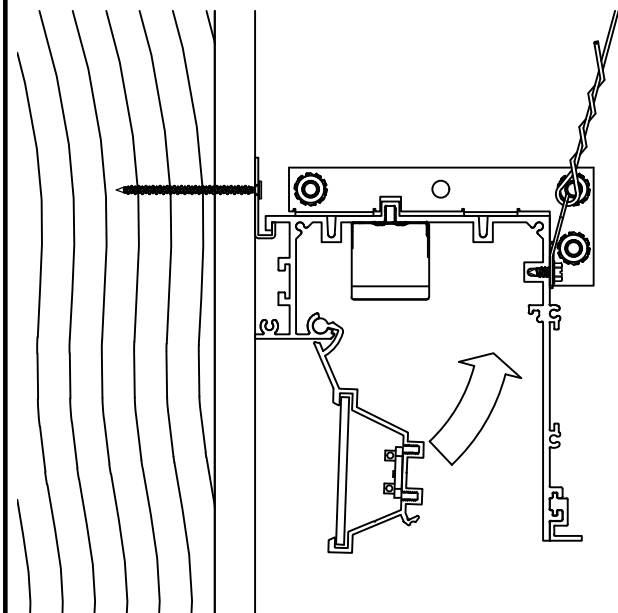


WITH POWER SHUT OFF AT PANEL, MOUNT 1/2" FLEXIBLE CONDUIT (BY OTHERS) TO 7/8" DIA. HOLE IN FEED HOUSING. MAKE ELECTRICAL CONNECTIONS AS PER LOCAL CODES (IF FIXTURES ARE IN ROWS, CONNECT MALE AND FEMALE ENDS OF WIRE HARNESSSES).

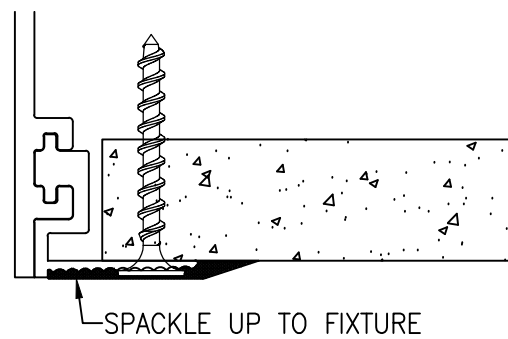
6b



6a



FINAL ASSEMBLY



PIVOT LED BOARD/WIREWAY ASSEMBLIES SO THEY SNAP INTO POSITION IN HOUSING. TURN POWER TO FIXTURES ON TO TEST. ADJACENT CEILING CAN IS NOW TO BE INSTALLED. USING #6 X 1 1/4" DRYWALL SCREW (BY OTHERS), FASTEN FIXTURE FLANGE TO SHEETROCK. SPACKLE UP TO FIXTURE, SAND AND PAINT.

FLANGE TRIM

PIVOT LED BOARD/WIREWAY ASSEMBLIES SO THEY SNAP INTO POSITION IN HOUSING. TURN POWER TO FIXTURES ON TO TEST. ADJACENT CEILING CAN IS NOW TO BE INSTALLED.

NO TRIM (SPACKLE FLANGE TRIM)

CORONET INC.

55 SHEPHERDS LANE, TOTOWA, NJ 07524
T: 973-345-7660 F: 973-345-8705
WWW.CORONETLED.COM



WARNING: RISK OF FIRE AND ELECTRICAL SHOCK. FIXTURE MUST BE INSTALLED BY A QUALIFIED ELECTRICIAN ONLY IN ACCORDANCE WITH NATIONAL LOCAL BUILDING AND ELECTRICAL CODES. DISCONNECT POWER AT ELECTRICAL PANEL BEFORE SERVICING.

1. CORONET INC. RESERVES THE RIGHT TO MAKE ANY DESIGN CHANGES FOR CONTINUOUS IMPROVEMENT WHICH WILL NOT AFFECT THE OVERALL APPEARANCE OR PERFORMANCE.
2. ALL CEILINGS TO BE ADEQUATELY REINFORCED BY OTHERS.
3. ALL FIXTURES TO BE WIRED BY CERTIFIED ELECTRICIAN ONLY.

