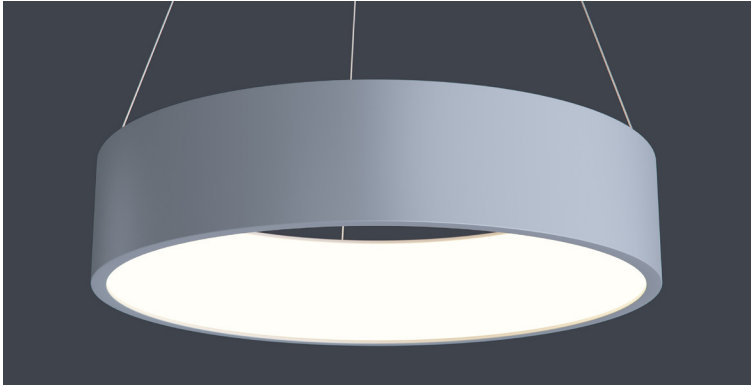


DATE	PROJECT	FIRM	TYPE
------	---------	------	------



Suspended, architectural LED halo providing uplight and downlight. Great for lobbies and modern office spaces. Available suspended with cable/canopy. Custom colors available.

FEATURES

- Custom Color & Outputs Available
- Damp Location Rated
- CRI 90+ Standard; R9>50
- 5 Year, 50,000 Hour Fixture Warranty
- 3000K, 3500K & 4000K Color Temperatures Available
- Available with PoE

APPLICATIONS Offices, Lobbies, Retail Stores, Classrooms, Reception Areas & Corridors

CONSTRUCTION Die Formed and Embossed, Heavy Gauge Rolled Steel Housing, Spun Steel Trim

OPTICS Custom Molded Opal Lens

WARRANTY 5 Year Limited Warranty (Covers Standard Components)

FINISH Standard Powder-Coated White. Custom RAL Colors Available

FIXTURE RATINGS & CERTIFICATIONS Union Made ETL Listed Made In The USA Damp Location Rated



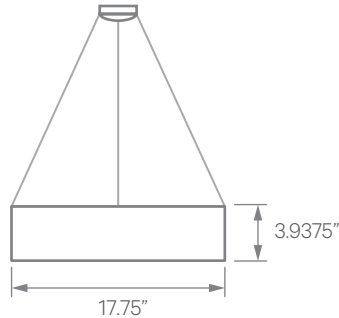
DRIVERS & SENSORS

For Wiring Diagrams and Sensor Information Click [Here](#)



ELECTRICAL Integral Driver with 0-10V Dimming Standard. Driver Remote With "FC" (Flat Canopy) Option

EXTRUSION DIMENSIONS



LED SYSTEM INFORMATION

	Nominal System Watts	Nominal Delivered Lumens
Standard (LTG1)	30 W	1,940 lm
Low (LTG2)	21 W	1,450 lm
High (LTG3)	45 W	2,835 lm

Based on a 3500K luminaire using one driver. Custom outputs available; specify below.

ORDERING

1	2	3	4	5	6	7	8	9
---	---	---	---	---	---	---	---	---

<p>1 - FIXTURE ID</p> <p>LOOP LED</p>	<p>2 - LENGTH</p> <p>18 - 18 in.</p>	<p>3 - COLOR TEMP</p> <p>30 - 3000K/90 CRI 35 - 3500K/90 CRI 40 - 4000K/90 CRI TW* - Tunable White RGBW** - RGB + 3000K</p> <p>*Must use DMX or TW10 Driver **Must use DMX Driver</p>	<p>4 - LED SYSTEM</p> <p>LTG1 - Standard LTG2 - Low LTG3 - High LTGC - Custom Output</p>	<p>5 - VOLTAGE</p> <p>UNV - Universal (120/277V)</p>	<p>6 - DRIVER</p> <p>DB - Standard Dimming (0-10V) PoE - Power over Ethernet. Consult Factory for Compatibility DMX* - For Color Tuning and RGBW TW10* - Dual Channel, 0-10V For Color Tuning (CCT and Intensity Control)</p> <p>*Remote Driver</p>
--	---	---	--	---	---

<p>7 - FINISH</p> <p>W - White (Standard) BLK* - Black CC* - Custom Color (provide RAL#)</p> <p>*White cord and canopy provided. Must specify for other requests.</p>	<p>8 - MOUNTING</p> <p>AC - Air Craft Cable SM - Surface Mount</p>	<p>9 - OTHER OPTIONS</p> <p>EM 120V - Emergency Pack EM 277V - Emergency Pack EMCKT - Emergency Circuit FC - Flat Canopy (Remote Driver)</p>
--	--	--