


DATE	PROJECT	FIRM	TYPE
------	---------	------	------



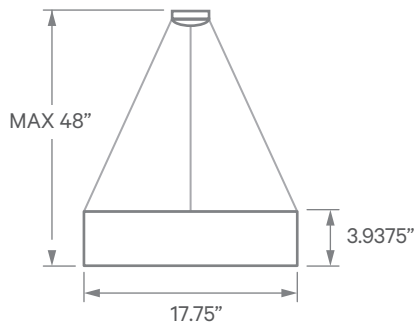
Suspended, architectural LED halo providing uplight and downlight. Great for lobbies and modern office spaces. Available suspended with cable/canopy up to 48". Custom colors available.

### FEATURES

- Custom Colors And Outputs Available
- Damp Location Rated
- CRI 90+ Standard
- 5 Year, 50,000 Hour Fixture Warranty
- 3000K & 3500K Color Temperatures Available

<b>APPLICATIONS</b>	Offices, Lobbies, Retail Stores, Reception Areas & Corridors			
<b>CONSTRUCTION</b>	Die Formed & Embossed, Heavy Gauge Rolled Steel Housing. Spun Steel Trim.	<b>OPTICS</b>	Custom Molded Opal Lens	
<b>WARRANTY</b>	5 Year Limited Warranty (Covers Standard Components)		<b>FINISH</b>	Standard Powder-Coated White. Custom RAL Colors Available
<b>FIXTURE RATINGS &amp; CERTIFICATIONS</b>	Union Made ETL Listed	Made In The USA Damp Location Rated		
<b>ELECTRICAL</b>	Integral Driver With 0-10V 10% Dimming Standard. Driver Remote With "FC" (Flat Canopy) Option			

### EXTRUSION DIMENSIONS



### LED SYSTEM INFORMATION

	Nominal System Watts	Nominal Delivered Lumens
Standard (LTG1)	30 W	1,940 Lm
Low (LTG2)	21 W	1,450 Lm
High (LTG3)	45 W	2,835 Lm

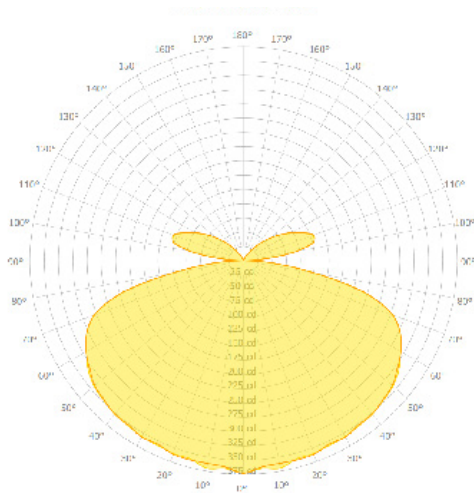
Based on a 3500K luminaire using one driver. Please consult factory for custom lumen outputs & wattage.

<b>ORDERING</b>	1	2	3	4	5	6	7	8	9
-----------------	---	---	---	---	---	---	---	---	---

<b>1 - FIXTURE ID</b> LOOP LED	<b>2 - LENGTH</b> 18 - 18 in.	<b>3 - COLOR TEMP</b> 30 - 3000K/90 CRI 35 - 3500K/90 CRI TW* - Tunable White RGBW* - RGB + 3000K  *Must use DMX Driver	<b>4 - LED SYSTEM</b> LTG1 - Standard LTG2 - Low LTG3 - High C - Custom Output (ie-C550Lm)	<b>5 - VOLTAGE</b> UNV - Universal (120/277V)	<b>6 - DRIVER</b> DB - Standard 10% Dimming (0-10V) DMX - For Color Tuning and RGBW
<b>7 - FINISH</b> W - Standard White CC - Custom Color (provide RAL#)	<b>8 - MOUNTING</b> AC - Air Craft Cable (adjusts up to 48") SM - Surface Mount	<b>9 - OPTIONS</b> EM 120V - Emergency Pack EM 277V - Emergency Pack FC - Flat Canopy (Remote Driver)			

DATE	PROJECT	FIRM	TYPE
------	---------	------	------

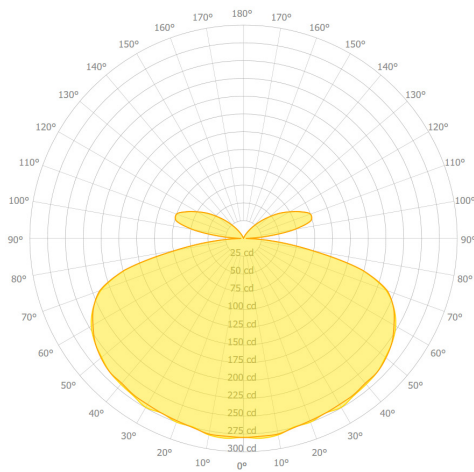
## PHOTOMETRICS



**LOOP LED 18" LTG1 3500K**  
 DELIVERED LUMENS: 2,090Lm  
 TOTAL WATTS: 22W  
 EFFICACY: 95 Lumens/Watt

### ZONAL LUMEN SUMMARY

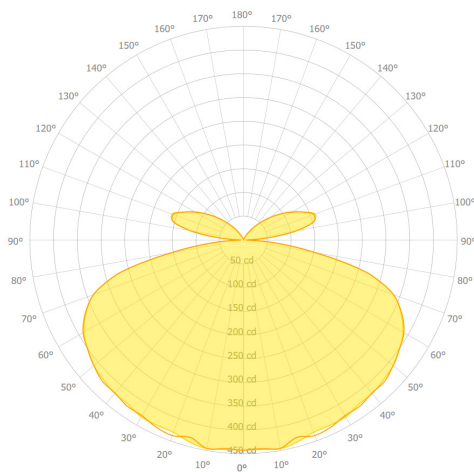
ZONE	LUMENS	% LAMP	% FIXTURE
0.00 - 30.00	304.35	9.79	14.56
0.00 - 40.00	525.71	16.90	25.15
0.00 - 60.00	1089.72	35.03	52.13
0.00 - 90.00	1676.81	53.91	80.22
90.00 - 120.00	290.98	9.35	13.92
90.00 - 150.00	411.03	13.21	19.66
90.00 - 180.00	413.47	13.29	19.78
0.00 - 180.00	2090.28	67.20	100.00



**LOOP LED 18" LTG2 3500K**  
 DELIVERED LUMENS: 1,599Lm  
 TOTAL WATTS: 17W  
 EFFICACY: 94 Lumens/Watt

### ZONAL LUMEN SUMMARY

ZONE	LUMENS	% LAMP	% FIXTURE
0.00 - 30.00	232.75	9.77	14.55
0.00 - 40.00	402.17	16.89	25.14
0.00 - 60.00	833.96	35.02	52.13
0.00 - 90.00	1283.04	53.88	80.20
90.00 - 120.00	222.98	9.36	13.94
90.00 - 150.00	314.93	13.22	19.68
90.00 - 180.00	316.82	13.30	19.80
0.00 - 180.00	1599.85	67.18	100.00



**LOOP LED 18" LTG3 3500K**  
 DELIVERED LUMENS: 2,525Lm  
 TOTAL WATTS: 27W  
 EFFICACY: 93 Lumens/Watt

### ZONAL LUMEN SUMMARY

ZONE	LUMENS	% LAMP	% FIXTURE
0.00 - 30.00	367.90	9.79	14.57
0.00 - 40.00	635.17	16.90	25.15
0.00 - 60.00	1317.08	35.04	52.16
0.00 - 90.00	2025.82	53.90	80.22
90.00 - 120.00	351.13	9.34	13.91
90.00 - 150.00	496.38	13.21	19.66
90.00 - 180.00	499.36	13.29	19.78
0.00 - 180.00	2525.18	67.19	100.00