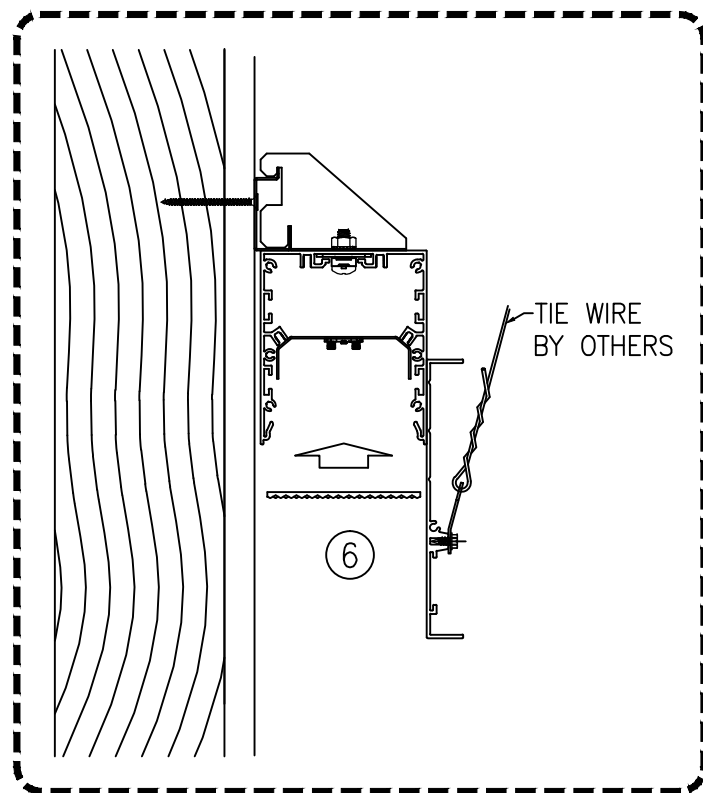
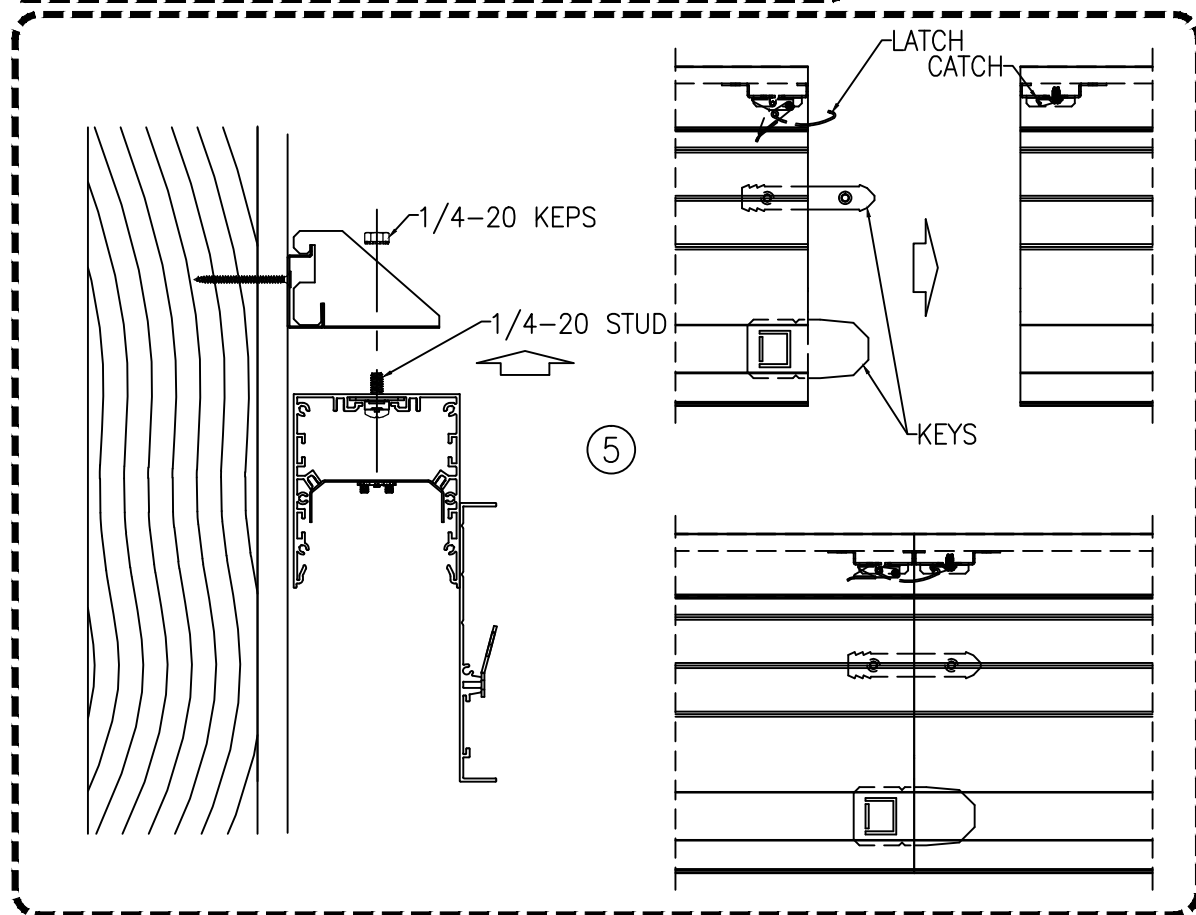
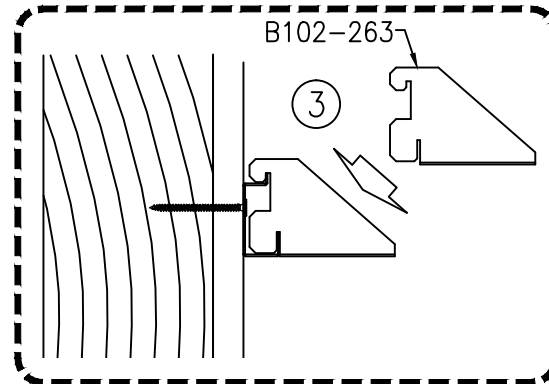


TABLE 1		
REGRESS HEIGHT	"A"	"B"
2"	5 15/16"	6 15/16"
3"	6 15/16"	7 15/16"
4"	7 15/16"	8 15/16"



- ① FIXTURES TO BE MOUNTED PRIOR TO CEILING BEING INSTALLED.
- ② MOUNT SUPPORT CHANNEL (B102-262) BY USING DRYWALL SCREWS INTO WALL STUD. MOUNTING HEIGHT OF CHANNEL DEPENDS UPON REGRESS AS SPECIFIED ON ORDER. SEE CHART NO. 1 FOR MOUNTING HEIGHT. MOUNTING HEIGHTS ARE RELATIVE TO FINISHED CEILING LOCATION. RECOMMENDED HORIZONTAL LOCATION OF CHANNEL TO BE AT EACH END OF RUN AND (1) APPROX. WHERE FIXTURES JOIN TOGETHER. MOUNTING CHANNELS CAN BE FIELD CUT IF REQUIRED.
- ③ HOOK FIXTURE SUPPORT BRACKET ONTO CHANNEL IN APPROX. LOCATION OF ENDS OF FIXTURES (2 BRACKETS PER FIXTURE).
- ④ REMOVE GEARTRAYS AS REQUIRED TO WIRE FIXTURES AND TO JOIN FIXTURES IF ROWS ARE REQUIRED. WITH POWER SHUT OFF AT PANEL, MOUNT 1/2" FLEXIBLE CONDUIT TO 7/8" DIA. HOLE IN FEED HOUSING. MAKE ELECTRICAL CONNECTIONS AS PER LOCAL CODES.
- ⑤ LIFT FIXTURE INTO POSITION. MOVE FIXTURE SUPPORT BRACKETS OVER 1/4-20 STUDS ON TOP OF HOUSING. USING 1/4-20 KEPS NUTS PROVIDED, SECURE FIXTURE INTO PLACE. IF ROWS ARE REQUIRED, MOUNT SECOND FIXTURE IN CLOSE PROXIMITY TO END OF FIRST FIXTURE. USING FIXTURE SUPPORT BRACKETS, MOUNT SECOND FIXTURE. DO NOT FULLY TIGHTEN KEPS NUTS ON SECOND FIXTURE. CONNECT WIRE HARNESS FROM FIRST TO SECOND FIXTURE. JOIN FIXTURES BY ALIGNING KEYS IN HOUSING AND TRIM AND USING CATCH AND LATCH TO DRAW FIXTURES TOGETHER. FULLY TIGHTEN KEPS NUTS ON TOP OF SECOND FIXTURE. CONTINUE FOR BALANCE OF ROW (FOR LONGER ROWS, ADDITIONAL FEED LOCATIONS MAY BE REQUIRED, SEE LAYOUT DRAWINGS).
- ⑥ USING TIE WIRE, SECURE TRIM INTO POSITION TO ABOVE STRUCTURE. WIRE TO BE ATTACHED TO BRACKET (B102-280) ON TRIM (THIS IS TO POSITION TRIM IF TRIM FLANGE IS TO SUPPORT ADJACENT CEILING). REINSTALL ANY GEARTRAYS THAT WERE REMOVED EARLIER AND INSTALL LENS, PRISMS DOWN. TURN POWER TO FIXTURES ON TO TEST. CEILING IS NOW READY TO BE INSTALLED.

Project:	Type:	CORONET INC. 77 WOOD STREET, PATERSON, NJ 07524 T: 973-345-7660 F: 973-345-8705 WWW.CORONETLED.COM			
Drawing Number:	Catalog #: PG4 INSTALLATION INSTRUCTIONS		Rev	Date	Description
			Drwn		

!!! ATTENTION !!!

APPROVAL REQUIRED TO RELEASE DRAWING INTO PRODUCTION.

YES () NO ()

APPROVAL SIGNATURE _____

PLEASE PRINT NAME _____

DATE: _____

Sht. of		
SO#	Chk'd BY:	Dwn By:
		Rev. No. 0000
Date:	Scale: NONE	Size: B