

INSTALLATION GUIDE-RECESSED

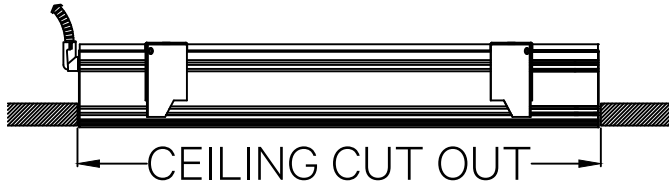


Risk of fire and electrical shock. In accordance with national local building and electrical codes, CORONET lighting fixtures must be installed by a qualified electrician. Disconnect power at electrical panel before servicing.

PART LIST

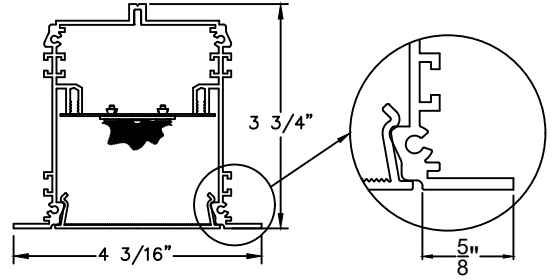
- A-8-32 Screw
- B-End Plate
- C-Support Bracket
- D-1/4-20 Screw
- E-LED Tray
- F-Lens
- G-Extrusion
- H-Catch & Latch Bracket
- J-Catch
- K-Alignment Pins
- L-6-32 Screw
- M-Latch

SIDE VIEW

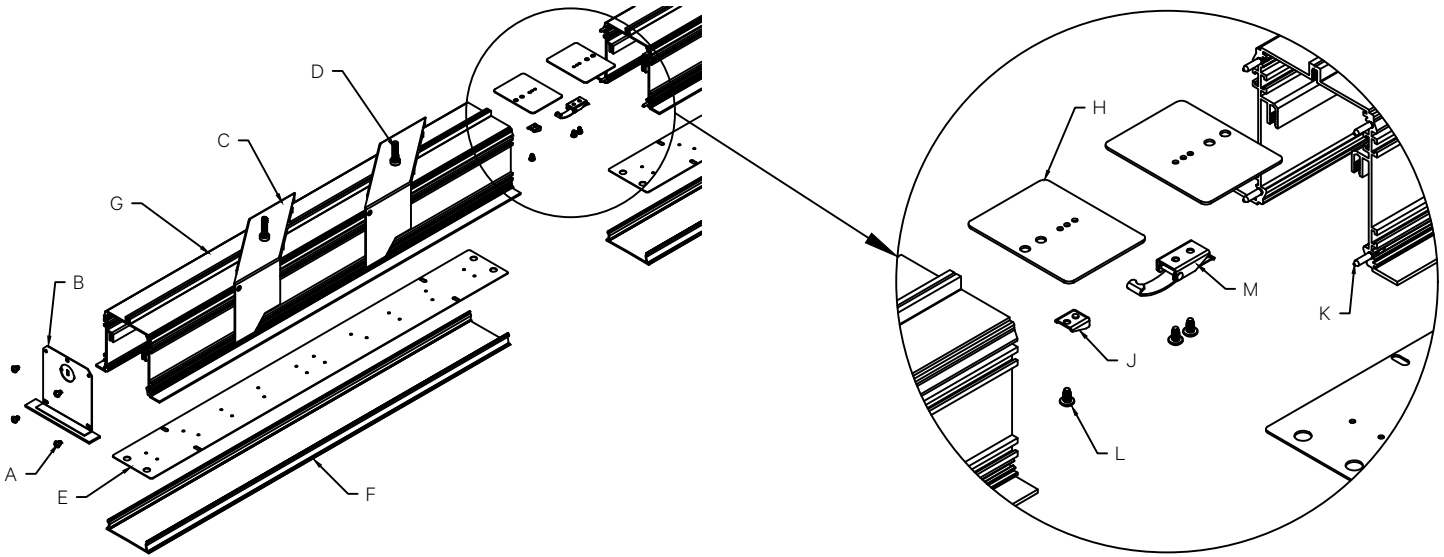


PLEASE CONSULT FACTORY SHOP DRAWINGS FOR CEILING CUT OUT DIMENSIONS

CROSS SECTION VIEW

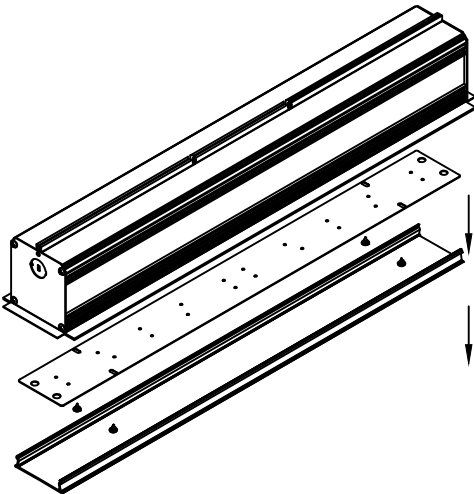


EXPLODED CONNECTION VIEW



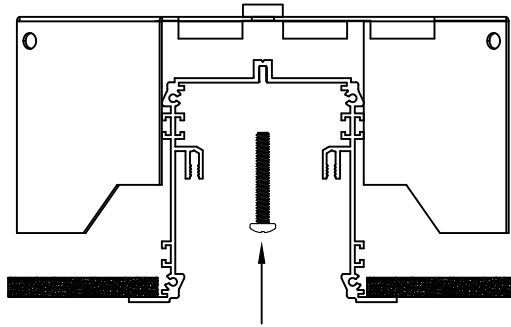
EXPLODED VIEWS ARE TO SHOW DETAIL ONLY, FIXTURES ARE SHIPPED PRE-ASSEMBLED.

1



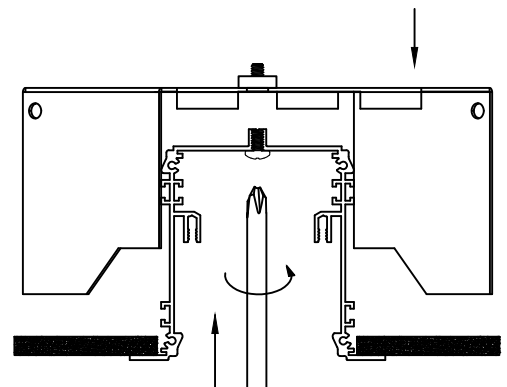
Remove the lens and led tray before installing into the ceiling.
*Warning: Before making the ceiling cutout, power cable must be located in the appropriate area.

2



Install the fixture into the ceiling using the provided 1/4-20 machine screws.

3



As you tighten the 1/4-20 machine screw with the nut, the support bracket rotate as well. Also, the support bracket and fixture will secure snugly to the ceiling.

INDIVIDUAL FIXTURES ARE NOT INTENDED FOR CONTINUOUS RUNS.

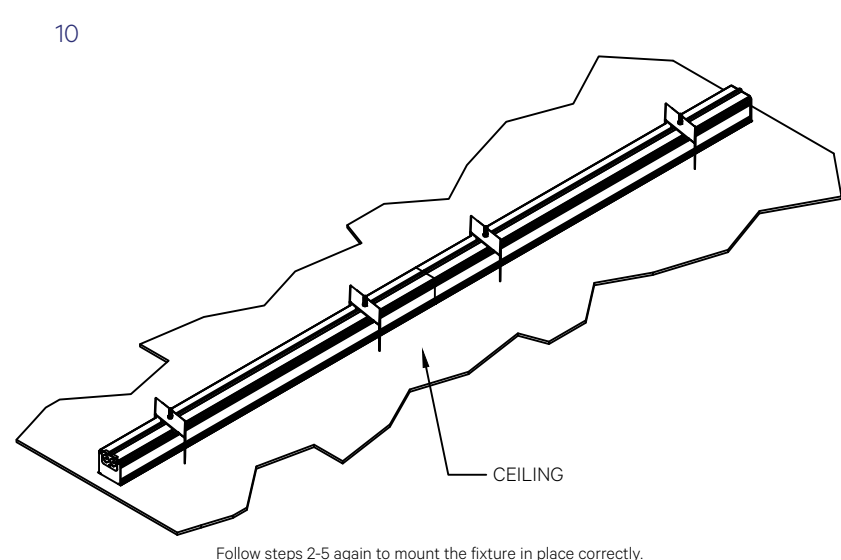
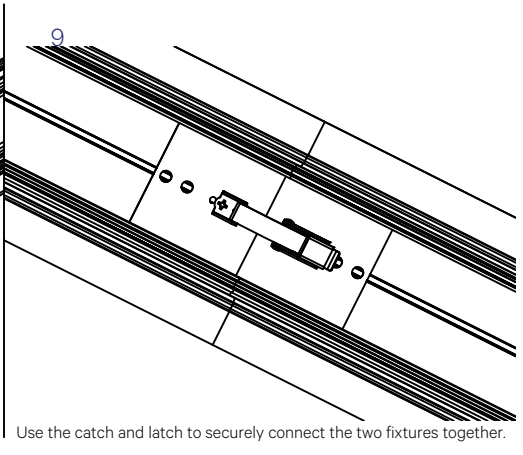
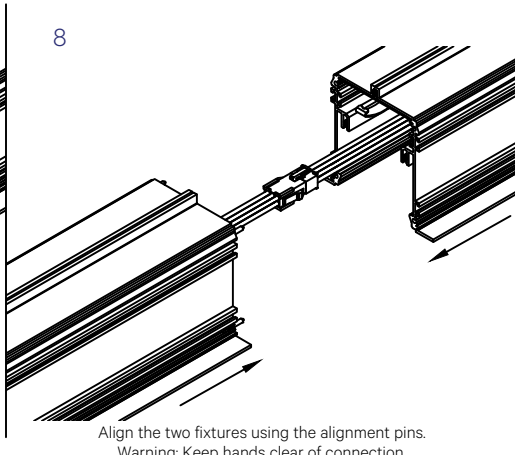
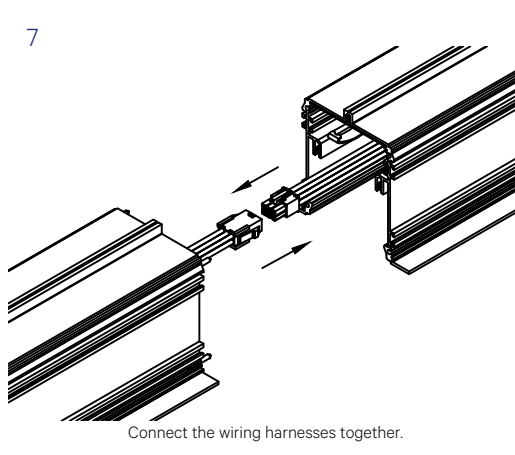
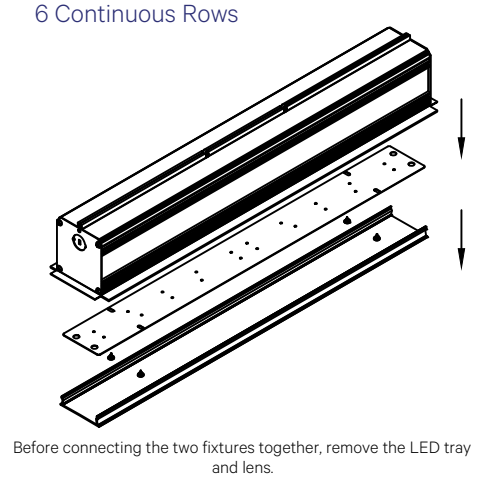
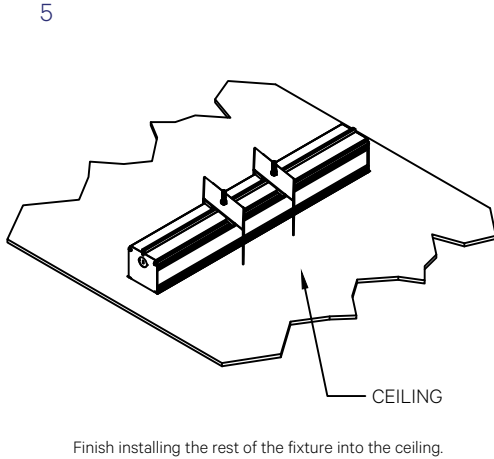
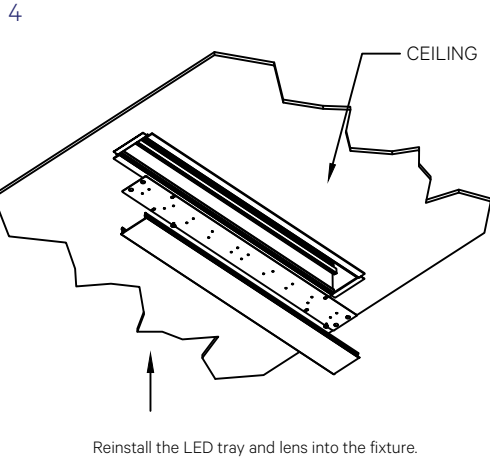
ADDITIONAL SUPPORTS TO THE STRUCTURE MAY BE REQUIRED.

*CHECK WITH YOUR LOCAL BUILDING CODE FOR THOSE REQUIREMENTS.

INSTALLATION GUIDE-RECESSED



Risk of fire and electrical shock. In accordance with national local building and electrical codes, CORONET lighting fixtures must be installed by a qualified electrician. Disconnect power at electrical panel before servicing.



GENERAL INSTALLATION CONSIDERATIONS - See submittal drawings for job specific data.

Operating Temperature.....-40°C to 50°C
 Operating Voltage.....110VAC-277VAC, 50Hz-60Hz
 Weight......28 lb/ft
 Dimensions.....See submittal drawings

- Installation by a certified electrician only.
- Read and understand the installation instructions before attempting to install or use the fixture.
- Only use fixtures with voltage for which it is rated. Do not exceed the specified voltage and current input.
- Do not use the fixture if the housing, lens, or power cable is damaged.
- Ensure that the main power supply is off before installing or wiring the fixture.
- Method of wire connection to be determined by local electrical codes and regulations.
- The external flexible cable of this luminaire cannot be field replaced; if the cord is damaged, contact Coronet.
- The light source contained in this luminaire shall only be replaced by the lighting manufacturer or his service agent or a similar qualified person.