

DATE	PROJECT	FIRM	TYPE
------	---------	------	------



Narrow, linear luminaire with all uplight. For indoor applications where an LED luminaire with small profile providing continuous light is required. Suspended or wall mount installation.

FEATURES

- Available In Made To Measure Lengths Accurate Up To 1/16"
- Patterns Available (See Page 2)
- Damp Location Rated
- CRI 90+ Standard; R9>50
- 5 Year, 50,000 Hour Fixture Warranty
- 2700K, 3000K, 3500K, 4000K & 5000K Color Temperatures Available
- Available with PoE

APPLICATIONS Offices, Lobbies, Retail Stores, Classrooms, Reception Areas & Corridors

CONSTRUCTION Extruded Aluminum Housing with Steel End Caps. Formed Steel Gear Tray

OPTICS Extruded High Transmission Satin Acrylic Lens with No LED Imaging. Additional Optics Available

WARRANTY 5 Year Limited Warranty (Covers Standard Components)

FINISH Standard Powder-Coated White. Custom RAL Colors Available

FIXTURE RATINGS & CERTIFICATIONS Union Made ETL Listed Made In The USA Damp Location Rated



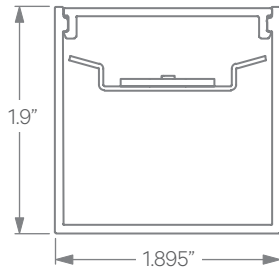
DRIVERS & SENSORS



For Wiring Diagrams and Sensor Information Click [Here](#)

ELECTRICAL Integral Driver with 0-10V Dimming Standard or 'Power Over Wire' System Which Eliminates Power Feed Cord By Combining The Aircraft Cable and Power Feed. Several Driver Options Available

EXTRUSION DIMENSIONS



LED SYSTEM INFORMATION

	Nominal System Watts	Nominal Delivered Lumens	Nominal Efficacy
Standard (LTG1)	7.25 W/ft	600 lm/ft	87 LPW
Low (LTG2)	5 W/ft	456 lm/ft	92 LPW
High (LTG3)	10 W/ft	827 lm/ft	85 LPW

Based on a 3500K luminaire using one driver. Custom outputs available; specify below.

ORDERING

1	2	3	4	5	6	7	8	9	10	11
---	---	---	---	---	---	---	---	---	----	----

<p>1 - FIXTURE ID</p> <p>LS1 LED UP</p>	<p>2 - LENGTH</p> <p>2 - 2 ft 4 - 4 ft 8 - 8 ft X'-X" - Specify Length PAT - Pattern (Consult Factory)</p>	<p>3 - COLOR TEMP</p> <p>27 - 2700K/90 CRI 30 - 3000K/90 CRI 35 - 3500K/90 CRI 40 - 4000K/90 CRI 50 - 5000K/90 CRI TW* - Tunable White RGBW** - RGB+3000K *Must use DMX or TW10 Driver **Must use DMX Driver</p>	<p>4 - LED SYSTEM</p> <p>LTG1 - Standard LTG2 - Low LTG3 - High LTGC - Custom Output</p>	<p>5 - VOLTAGE</p> <p>UNV - Universal (120/277V)</p>	<p>6 - DRIVER</p> <p>DB - Standard Dimming (0-10V) DB1% - 1% Dimming (0-10V) DB.1% - 0.1% Dimming (0-10V) LTEA - Lutron 2-wire 1% Dimming (120V only) LDE1 - Lutron Digital EcoSystem LDE5 - 5 Series EcoSystem; 5% Dimming PoE - Power over Ethernet. Consult Factory for Compatibility DMX - For Color Tuning and RGBW (Remote) TW10 - Dual Channel, 0-10V For Color Tuning (CCT and Intensity Control)</p>
--	---	---	---	---	--

<p>7 - FINISH</p> <p>W - White (Standard) BLK* - Black CC* - Custom Color (provide RAL#)</p> <p>*White cord and canopy provided. Must specify for other requests.</p>	<p>8 - MOUNTING</p> <p>AC - Air Craft Cable (50") ACP - Power Over Aircraft Cable WM - Wall Mount</p>	<p>9 - OPTICS</p> <p>SD - Standard Diffuser BW - 70° Batwing AVI-BW - 140° AVI-OPTIC Batwing ASYM - Asymmetric Optic</p>	<p>10 - CONTROL (Optional)</p> <p>EIS - Enlighted Sensor WISD - Wattstopper Daylight Sensor WISM - Wattstopper Occupancy Sensor SLS - SensiLUM Sensor ACS - Acuity Controls nLight System CCS - Casambi Compatible ECS - Eaton WaveLinX System</p> <p>*For other control systems not listed consult factory.</p>	<p>11 - OTHER OPTIONS</p> <p>EM 120V - Emergency Pack EM 277V - Emergency Pack EMCKT - Emergency Circuit</p>
--	--	---	---	---

DATE

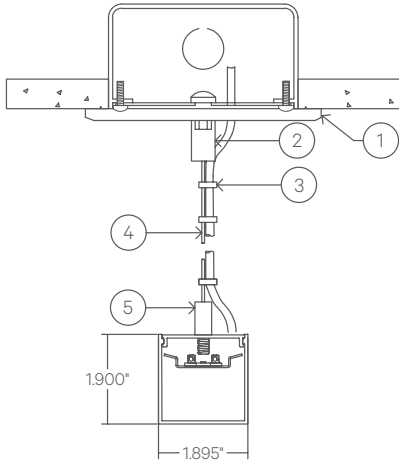
PROJECT

FIRM

TYPE

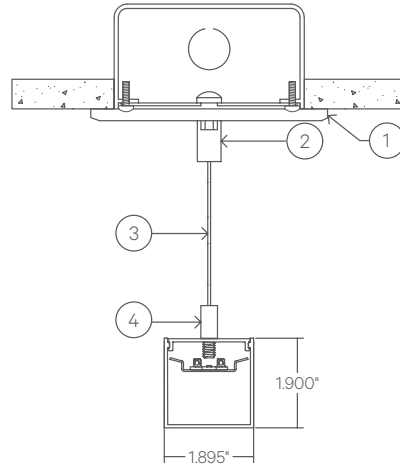
MOUNTING OPTIONS

AC - Air Craft Cable (50")



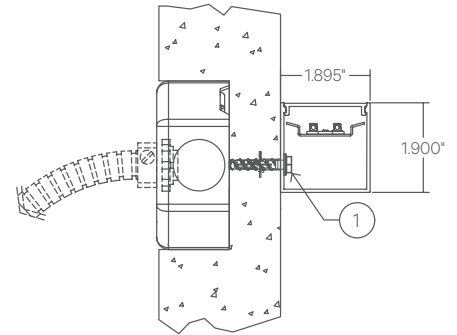
- 1 - 5" Round Canopy (Standard White Finish)
- 2 - Canopy Retainer
- 3 - SJT Cord (Standard White)
- 4 - Air Craft Cable
- 5 - Gripper

ACP - Power Over Aircraft Cable



- 1 - 5" Round Canopy (Standard White Finish)
- 2 - Canopy Retainer
- 3 - ACP Cable
- 4 - Gripper

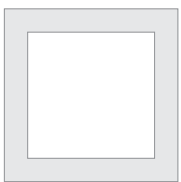
WM - Wall Mount



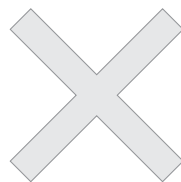
- 1 - Hardware (not supplied)

PATTERNS

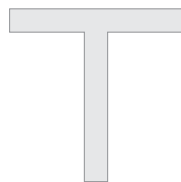
Patterns feature illuminated corners and angles. **Must consult factory for custom corners, patterns and elevations.**



Square Patterns



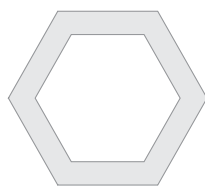
X Patterns



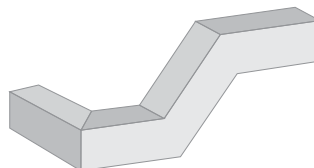
T Patterns



Custom Angles

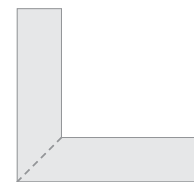


Custom Patterns



Custom Elevations

LENS CUT



Mitered

DATE

PROJECT

FIRM

TYPE

ACP - 'Power Over Aircraft Cable' Option

