

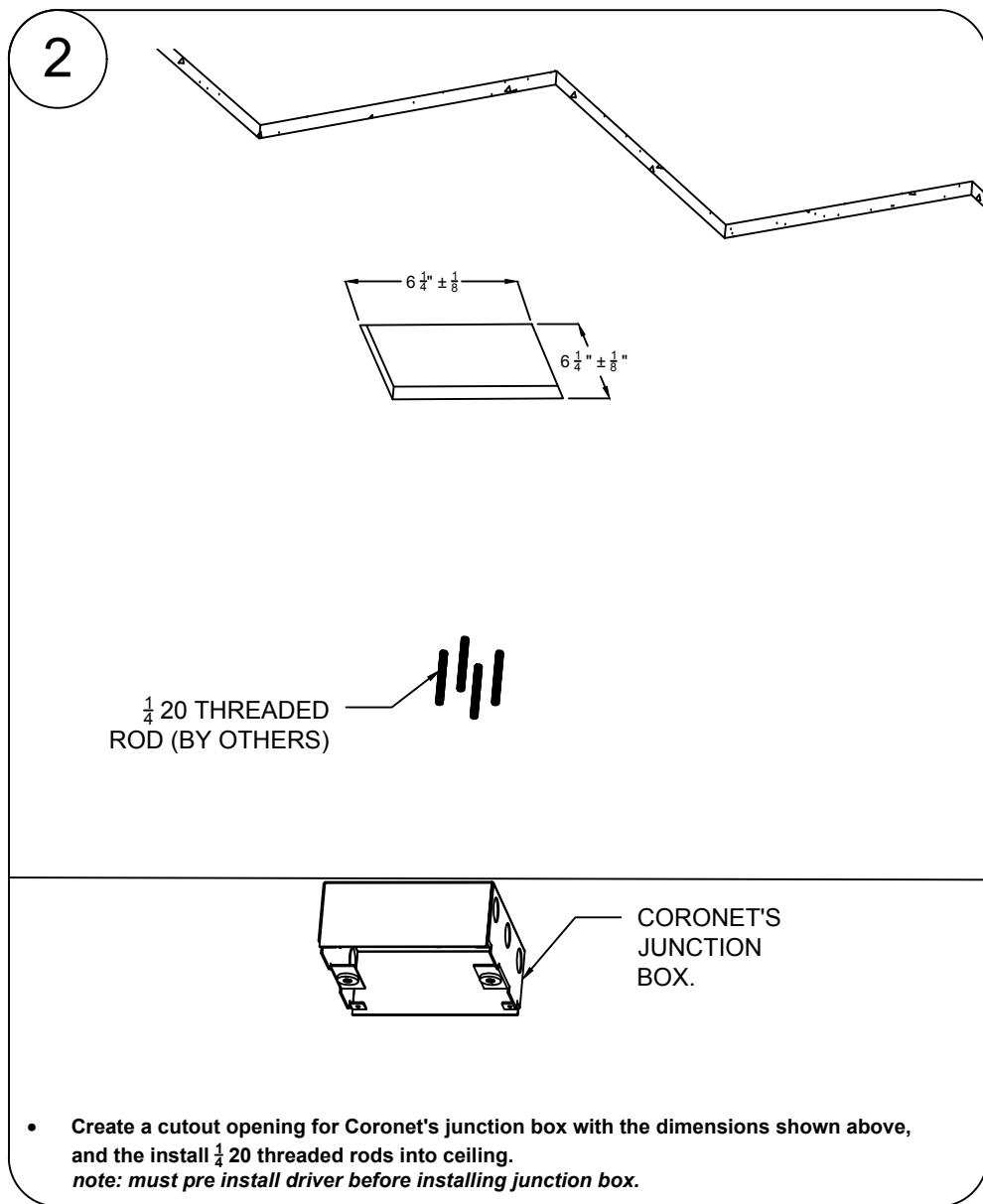
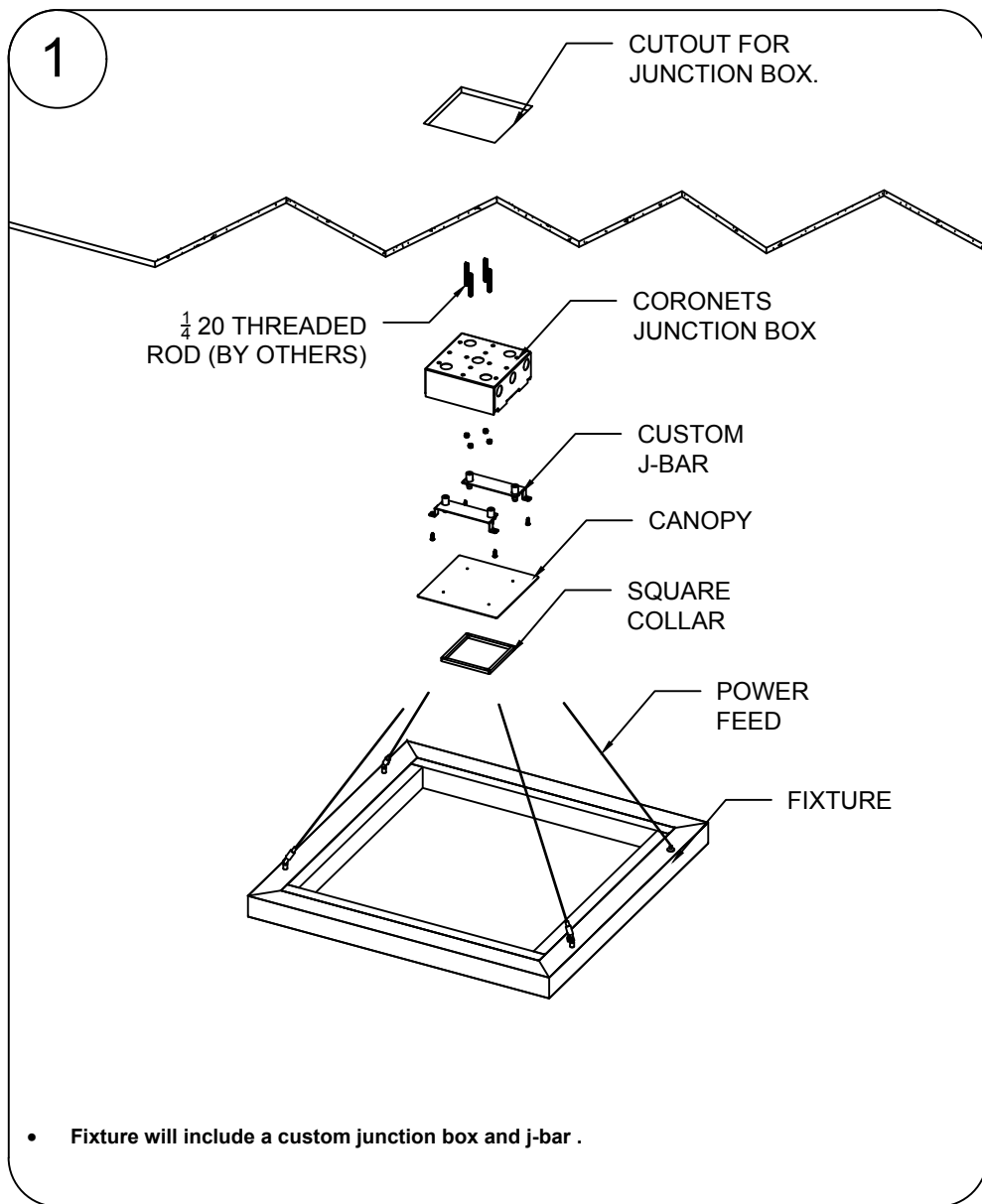
1. CORONET INC. RESERVES THE RIGHT TO MAKE ANY DESIGN CHANGES FOR CONTINUOUS IMPROVEMENT WHICH WILL NOT AFFECT THE OVERALL APPEARANCE OR PERFORMANCE. 2. ALL FIXTURES TO BE WIRED BY CERTIFIED ELECTRICIAN ONLY. Page 1

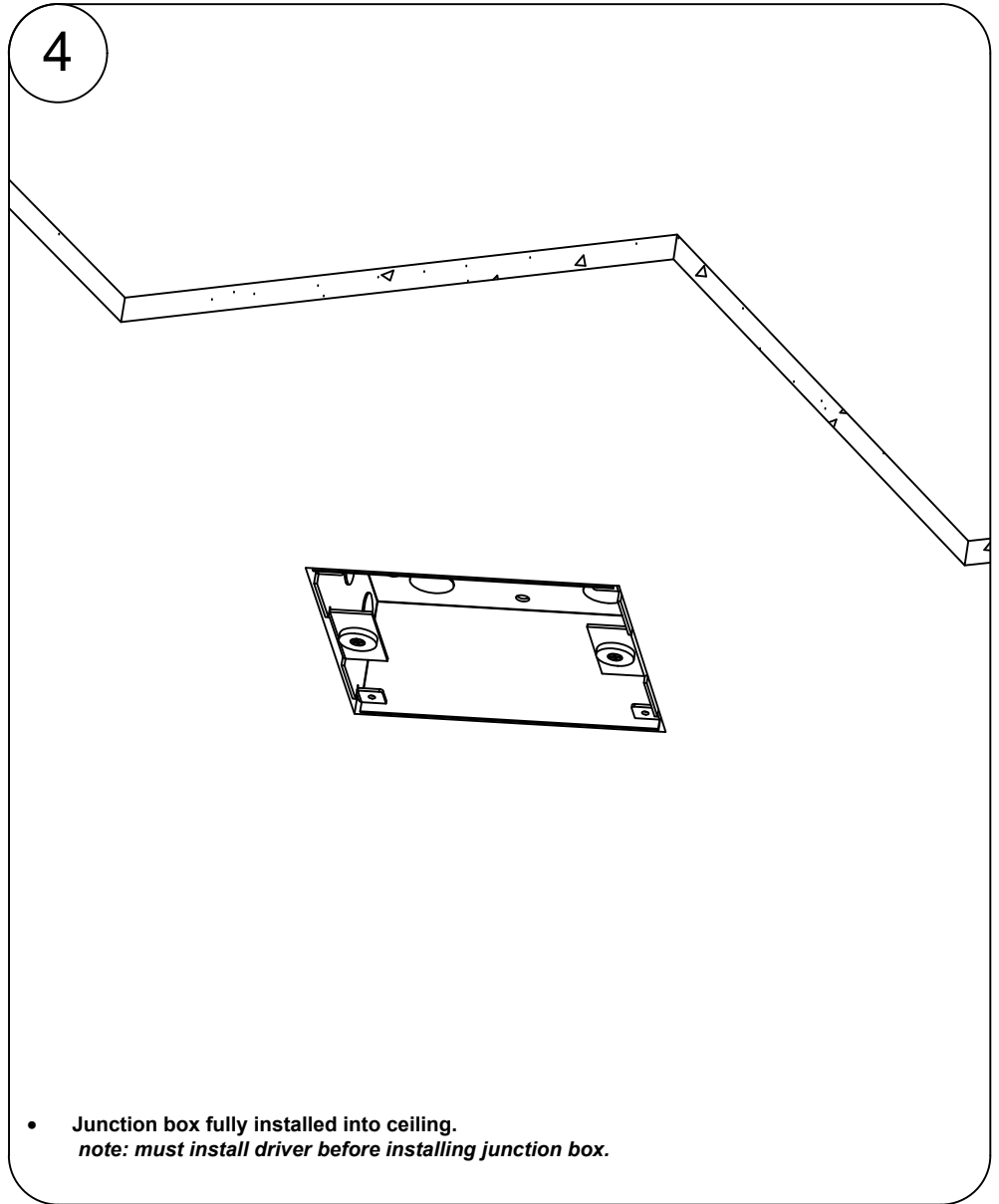
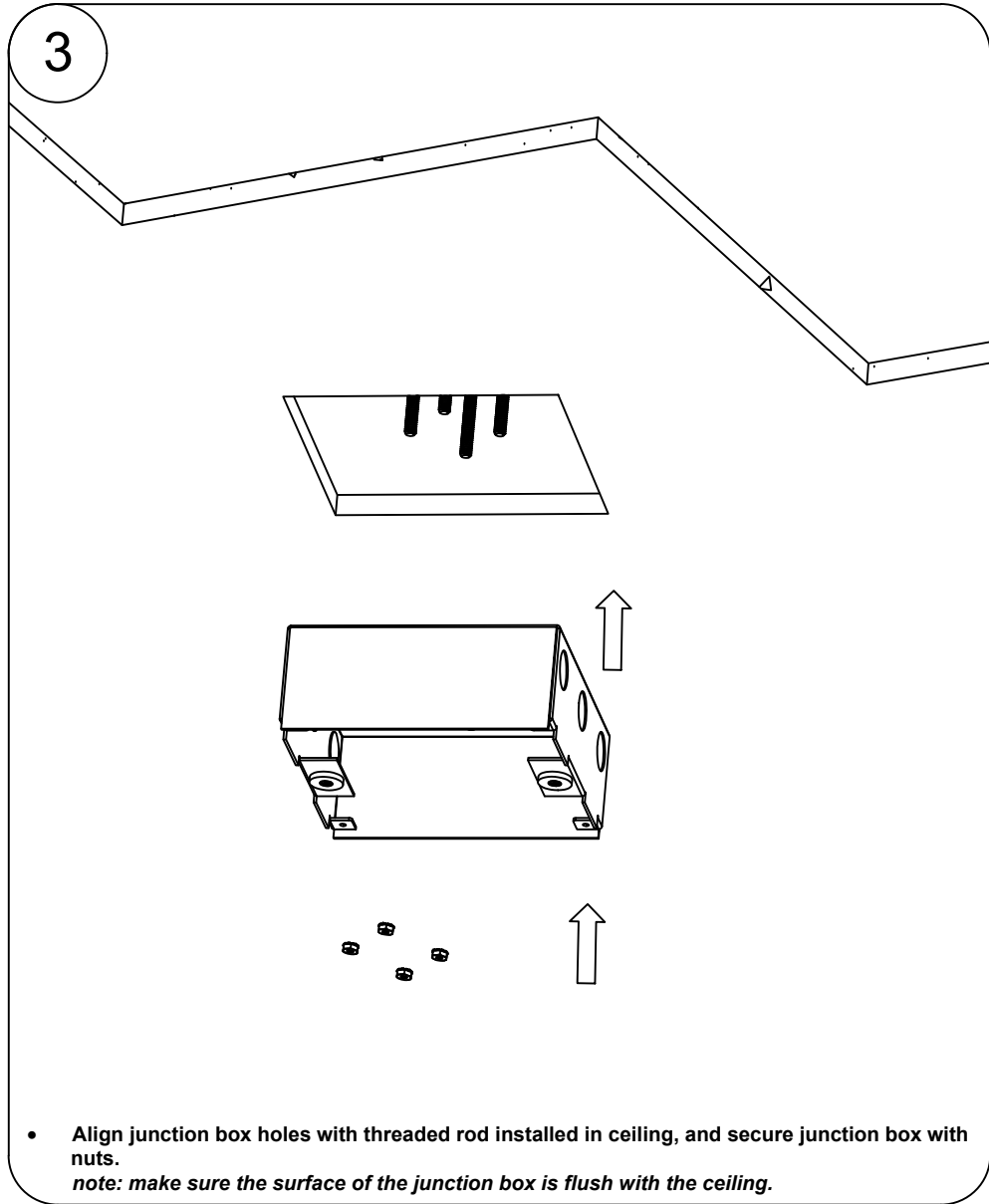
**CORONET INC.**  
 55 SHEPHERDS LANE, TOTOWA, NJ 07512  
 T: 973-345-7660 F: 973-345-8705  
 WWW.CORONETLED.COM

**WARNING: RISK OF FIRE AND ELECTRICAL SHOCK. FIXTURE MUST BE INSTALLED BY A QUALIFIED ELECTRICIAN ONLY IN ACCORDANCE WITH NATIONAL LOCAL BUILDING AND ELECTRICAL CODES. DISCONNECT POWER AT ELECTRICAL PANEL BEFORE SERVICING.**



	<b>NOTICE</b> Do not touch LED chip damage device Cover manufacturer handling instructions transfer section.
	<b>⚠ DANGER</b> Hazardous Voltage Contact will cause electric shock or burn. Only work on de-energized equipment. Disconnect power before wiring fixture.





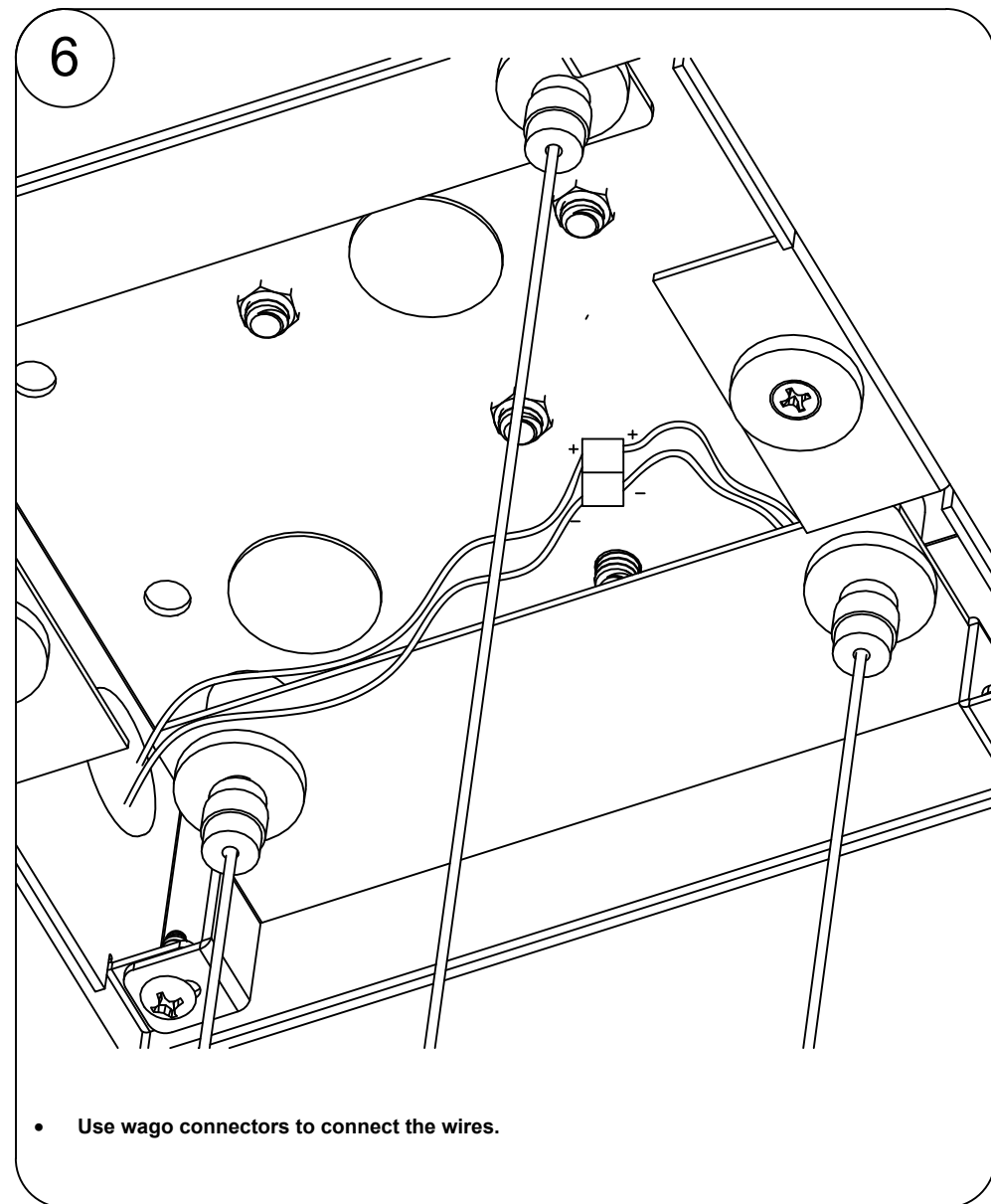
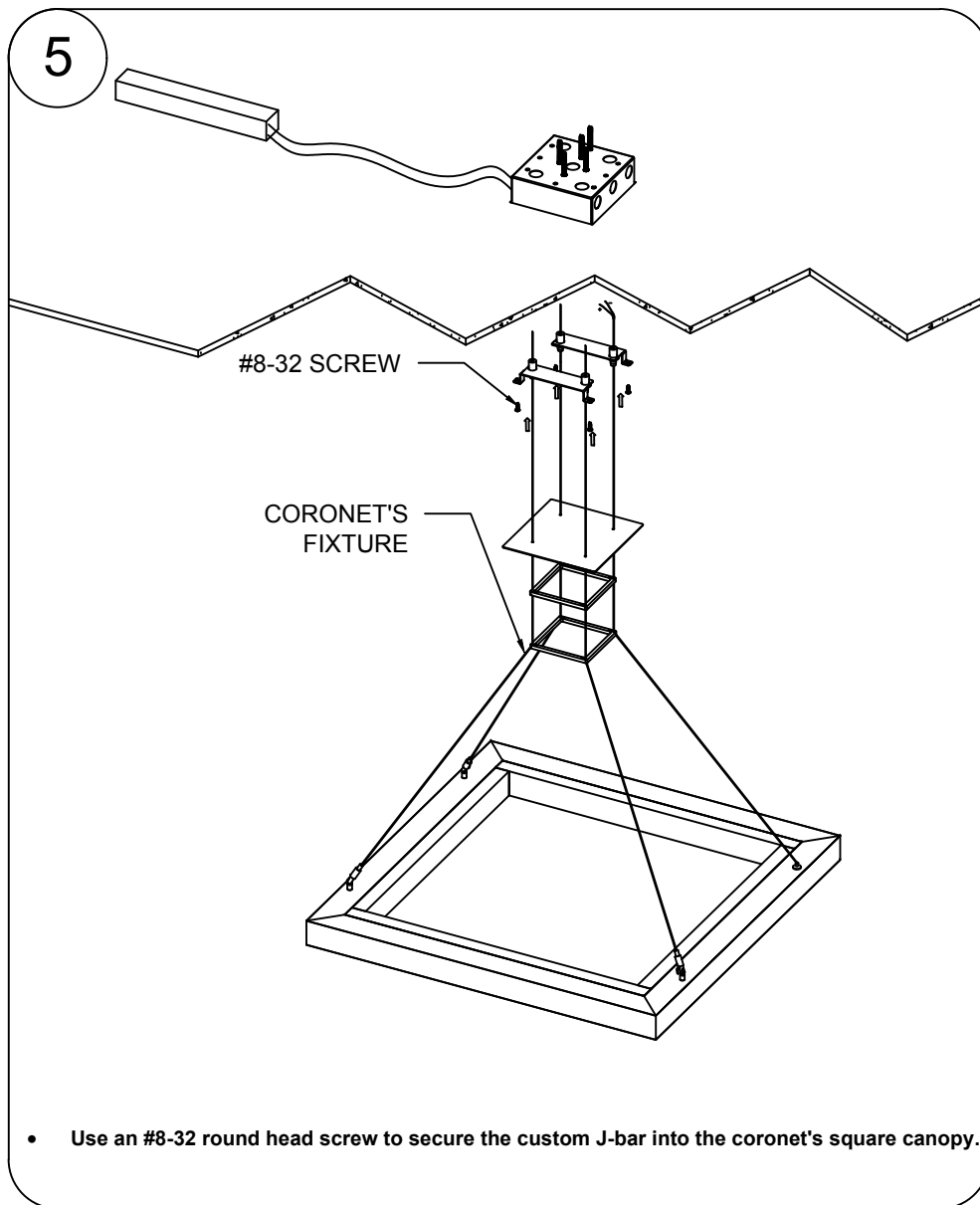
1. CORONET INC. RESERVES THE RIGHT TO MAKE ANY DESIGN CHANGES FOR CONTINUOUS IMPROVEMENT WHICH WILL NOT AFFECT THE OVERALL APPEARANCE OR PERFORMANCE. 2. ALL FIXTURES TO BE WIRED BY CERTIFIED ELECTRICIAN ONLY. Page 3

**CORONET INC.**  
 55 SHEPHERDS LANE, TOTOWA, NJ 07512  
 T: 973-345-7660 F: 973-345-8705  
 WWW.CORONETLED.COM

**WARNING: RISK OF FIRE AND ELECTRICAL SHOCK. FIXTURE MUST BE INSTALLED BY A QUALIFIED ELECTRICIAN ONLY IN ACCORDANCE WITH NATIONAL LOCAL BUILDING AND ELECTRICAL CODES. DISCONNECT POWER AT ELECTRICAL PANEL BEFORE SERVICING.**



	<b>NOTICE</b> Do not touch LED they damage device Cover components to handle electrical transfer devices.
	<b>DANGER</b> Hazardous Voltage Contact will cause Electric shock or burn. Only work on de-energized equipment. Disconnect power before wiring fixture.



1. CORONET INC. RESERVES THE RIGHT TO MAKE ANY DESIGN CHANGES FOR CONTINUOUS IMPROVEMENT WHICH WILL NOT AFFECT THE OVERALL APPEARANCE OR PERFORMANCE. 2. ALL FIXTURES TO BE WIRED BY CERTIFIED ELECTRICIAN ONLY.

Page 4

### CORONET INC.

55 SHEPHERDS LANE, TOTOWA, NJ 07512  
T: 973-345-7660 F: 973-345-8705  
WWW.CORONETLED.COM



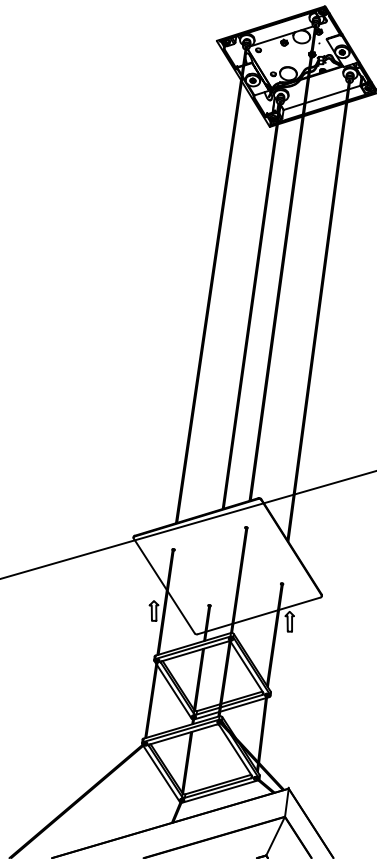
**WARNING: RISK OF FIRE AND ELECTRICAL SHOCK. FIXTURE MUST BE INSTALLED BY A QUALIFIED ELECTRICIAN ONLY IN ACCORDANCE WITH NATIONAL LOCAL BUILDING AND ELECTRICAL CODES. DISCONNECT POWER AT ELECTRICAL PANEL BEFORE SERVICING.**



Intertek

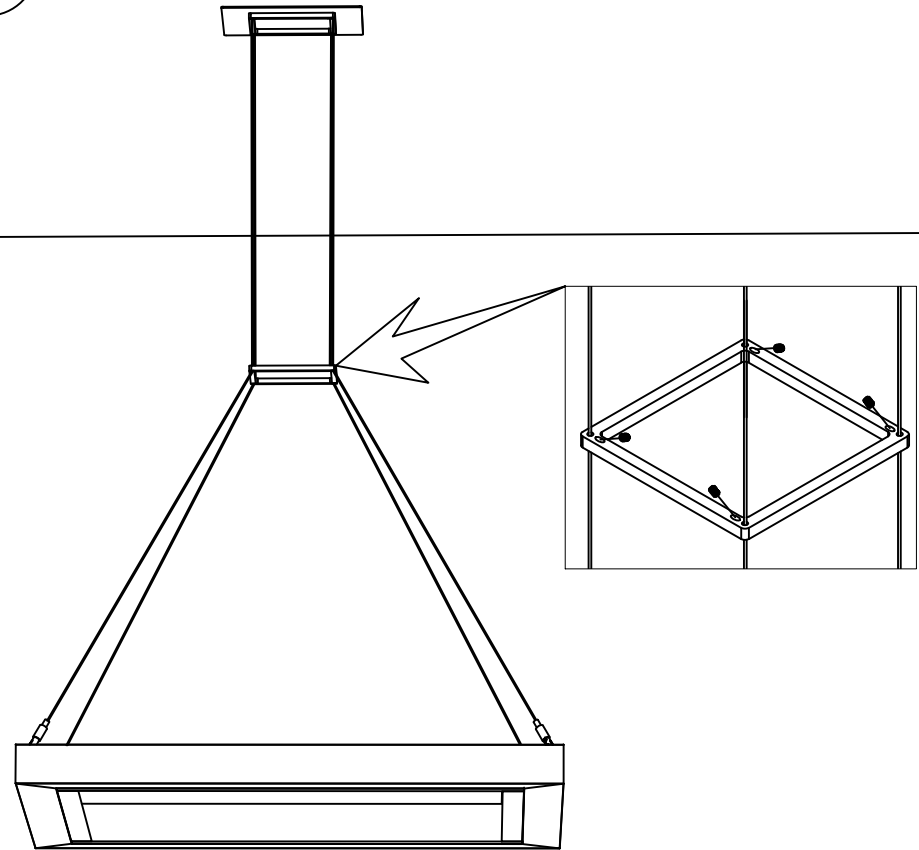


7



- Push up the plate and the first square collar to cover the canopy, they will be held by the magnets attached inside of the junction box. .

8



- Finally, use 6-32 set screws to adjust square collar height.

## CORONET INC.

55 SHEPHERDS LANE, TOTOWA, NJ 07512  
 T: 973-345-7660 F: 973-345-8705  
 WWW.CORONETLED.COM



**WARNING: RISK OF FIRE AND ELECTRICAL SHOCK. FIXTURE MUST BE INSTALLED BY A QUALIFIED ELECTRICIAN ONLY IN ACCORDANCE WITH NATIONAL LOCAL BUILDING AND ELECTRICAL CODES. DISCONNECT POWER AT ELECTRICAL PANEL BEFORE SERVICING.**

