



RRD LED 4FT

Round architectural luminaire with 4ft diameter. For use in indoor applications where an LED luminaire is required; great for lobbies and corridors. Suitable for tee-grid and drywall installation.



Features

- Glare-free lighting
- Available in custom lengths and long runs
- Corners and Patterns Available
- Damp Location Rated
- CRI Value: 80+; available in 90+
- 5 year, 50,000 hour lamp life Warranty
- 2700k, 3000k, 3500k, 4000k, and 5000k color temperatures available

Applications

- Offices
- Lobbies
- Retail Stores
- Classrooms
- Reception Areas
- Corridors

Details

Construction: Heavy gauge, cold rolled steel housing. Spun steel trim.

Optics: .125" thick concave opal lens.

Electrical: Integral driver with dimming. Several driver options available. See below for Lutron Dimming information:

LTEA=2-wire forward phase; Hi-lume 1% Dimming, only available for 120V.

L3DA=3-wire EcoSystem; Hi-lume 1% Dimming

LDE1=Digital EcoSystem; Hi-lume 1% Dimming, 'soft-on fade-to-black' (Required for Daylighting)

LDE5=5 Series EcoSystem; 5% Dimming.

Warranty: 5 year limited warranty; covers standard components.

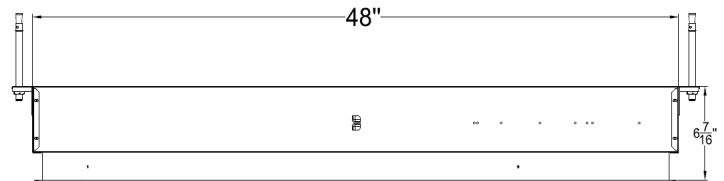
Approvals: Union made, ETL listed, and manufactured in the US. Rated for Damp Location.

LED System Information

	Nominal System Watts	Nominal Delivered Lumens	Nominal Efficacy
Standard (LTG1)	160W	13,230Lm	83Lm/W
Low (LTG2)	130W	11,045Lm	85Lm/W
High (LTG3)	198W	16,050Lm	81Lm/W

Please Note: Standard CRI is 80+, must specify for requests over 90. Outputs reflected in chart based on 4000K color temperature. For custom LED package requests consult factory; wattages vary based on specified output. Additional photometric information available.

Extrusion Dimensions



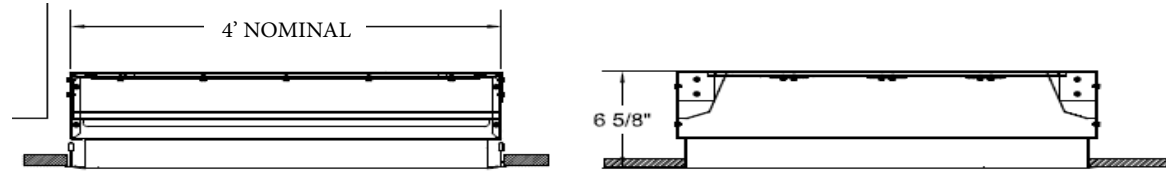
Ordering Information

RRD LED Series	Size	LED System	Color Temp	Voltage	Mounting	Driver	Options
	4FT	LTG1- Standard	2700K	120	T- 9/16" Tee Grid	DB- Standard 10% Dimming (0-10V)	EM-Emergency Pack
		LTG2- Low	3000K	277	SR- Sheetrock	DB1%-1% Dimming (0-10V)	WH-Whips
		LTG3- High	3500K	UNV		DB0.1%-0.1% Dimming (0-10V)	EIS- Integral Sensor by Enlighted
		C- Custom Output (ie-C3500Lm)	4000K			LTEA*-Lutron 2-wire 1% Dimming	WIS- Integral Sensor by Wattstopper
			5000K			L3DA*-Lutron 3-wire 1% Dimming	90CRI- CRI of 90+
						LDE1*-Lutron Digital EcoSystem	
						LDE5*-5 Series EcoSystem; 5% Dimming	

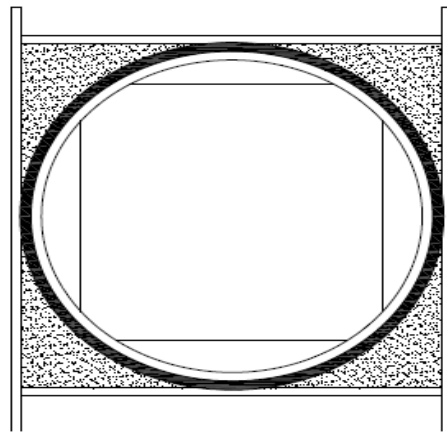
*Refer to 'Electrical' Information Above

Ordering Example: RRD LED-4FT-LTG1-4000K-UNV-NT-LTEA-EM

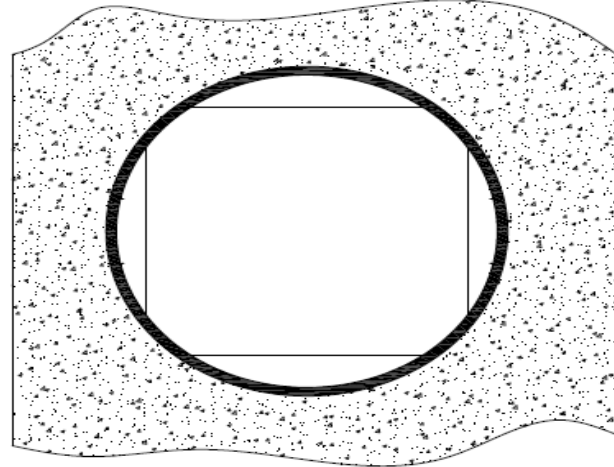
CROSS SECTION VIEW:



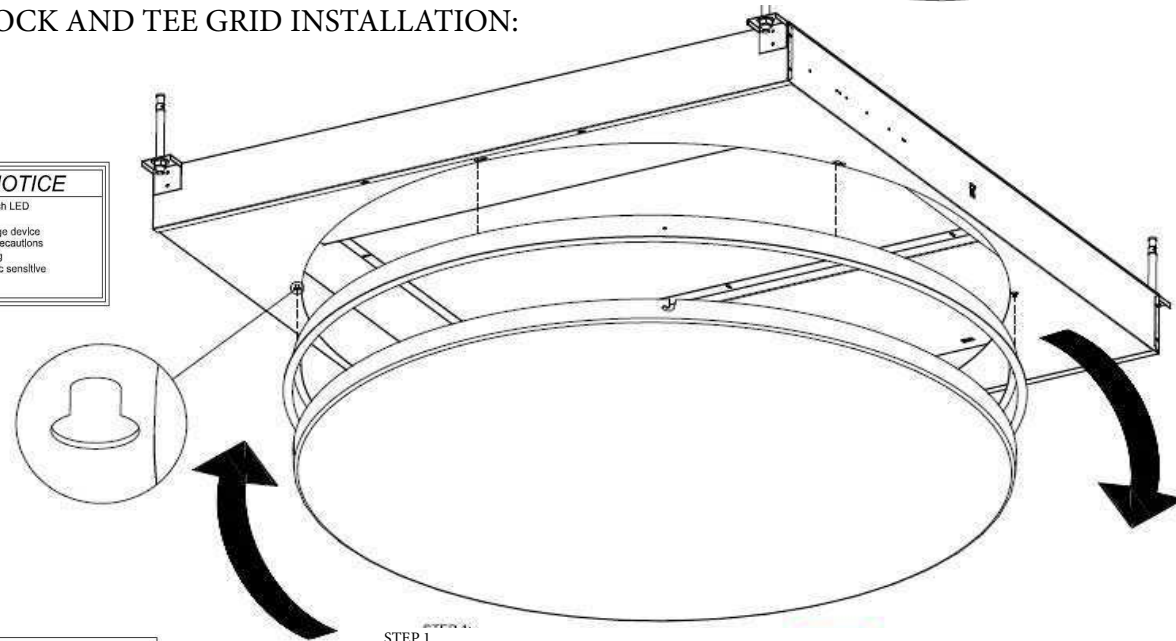
BOTTOM VIEW-GRID



BOTTOM VIEW-SHEETROCK

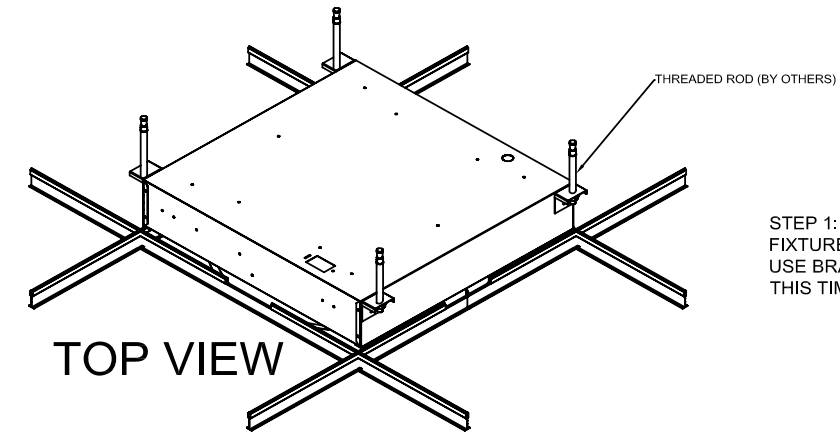


SHEETROCK AND TEE GRID INSTALLATION:



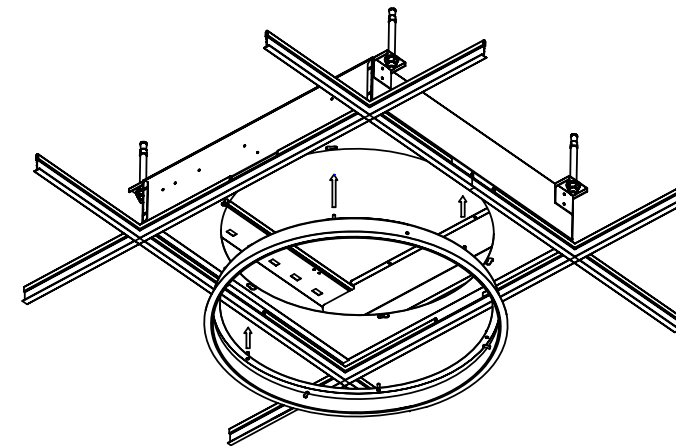
- STEP 1
FIXTURE MUST BE SUPPORTED BY THREADED ROD. USE BRACKETS PROVIDED FOR SUPPORT. AT THIS TIME, HOOK UP ELECTRICAL CONNECTION
- STEP 2
ATTACH RING INTO FIXTURE USING KEY SLOTS AS SHOWN ON DETAIL. USE NUTS TO LOCK RING IN PLACE. AT THIS TIME, MAKE SURE THAT FLANGE OF FIXTURE SITS FLUSH WITH FINISHED CEILING. ***DO THIS BEFORE FINISHED CEILING IS INSTALLED***
- STEP 3
TWIST LOCK LENS INTO PLACE

GRID INSTALLATION INSTRUCTIONS:



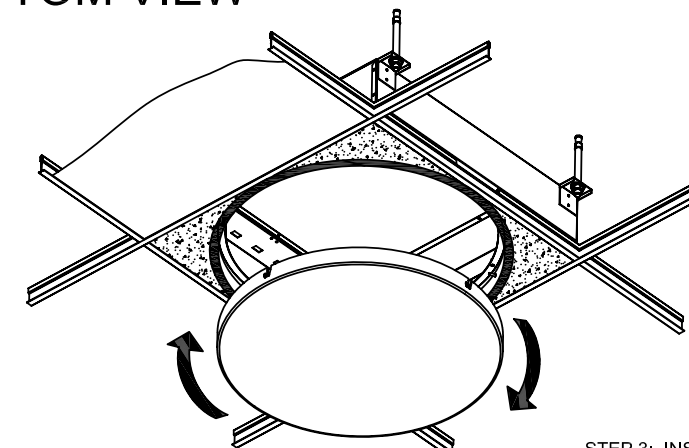
TOP VIEW

STEP 1:
FIXTURE MUST BE SUPPORTED BY THREAD ROD
USE BRACKETS PROVIDED FOR SUPPORT. AT
THIS TIME, DO YOUR ELECTRICAL CONNECTION.



BOTTOM VIEW

STEP 2:
ONCE HOUSING IS SUPPORTED, MUST CUT TILE
AROUND THE RING AND TWIST LOCK RING INTO
HOUSING. ONCE LOCK IN MUST TIGHTEN NUTS
IN HOUSING TO KEEP RING IN PLACE.

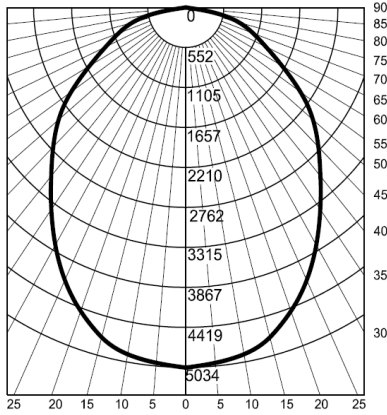


BOTTOM VIEW

STEP 3: INSTALL LENS BY TWIST LOCKING IN
THE PROPER LOCATION, INSTALLATION IS NOW
COMPLETED.

Photometrics

RRD LED 4FT LTG1 3500K
 DELIVERED LUMENS: 13,230Lm
 TOTAL WATTS: 160W
 EFFICACY: 84 Lumens/Watt



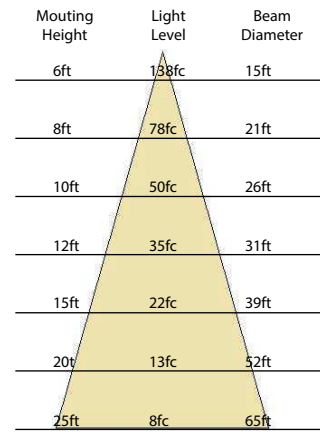
ZONAL LUMEN SUMMARY

Zone	Lumens	%Lamp	%Fixt
0.00 - 30.00	3797.00	22.34	28.77
0.00 - 40.00	6141.43	36.18	46.45
0.00 - 60.00	10566.87	62.12	79.93
0.00 - 90.00	13230.45	77.70	100.00
90.00 - 120.00	0.00	0.00	0.00
90.00 - 150.00	0.00	0.00	0.00
90.00 - 180.00	0.00	0.00	0.00
0.00 - 180.00	13230.33	77.78	100.00

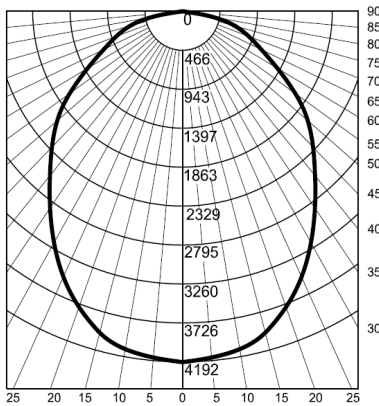
CANDELA DISTRIBUTION

0.00	22.50	45.00	67.50	90.00
0.00	3152.45	3152.45	3152.45	3152.45
5.00	3095.70	3124.44	3123.34	3104.08
10.00	3030.77	3025.36	3012.47	3003.71
15.00	2890.62	2869.93	2871.63	2865.91
20.00	2688.83	2700.31	2692.18	2689.98
25.00	2477.47	2484.07	2495.30	2487.05
30.00	2254.76	2264.37	2259.07	2263.35
35.00	2008.52	2023.02	2025.27	2024.06
40.00	1758.44	1761.20	1765.22	1775.32
45.00	1512.38	1518.75	1522.88	1527.67
50.00	1276.06	1279.33	1283.62	1288.16
55.00	1059.66	1057.05	1055.21	1063.02
60.00	850.21	846.32	853.78	857.16
65.00	660.75	665.63	669.20	667.74
70.00	502.33	503.42	504.64	506.56
75.00	368.85	367.84	368.50	368.58
80.00	259.40	259.65	257.28	259.24
85.00	141.48	141.04	142.58	140.52
90.00	25.08	27.14	25.39	26.05

CONE OF LIGHT



RRD LED 4FT LTG2 3500K
 DELIVERED LUMENS: 11,000Lm
 TOTAL WATTS: 130W
 EFFICACY: 85 Lumens/Watt



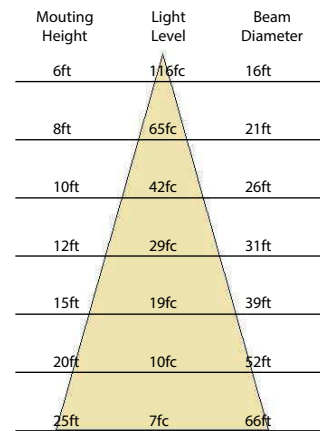
ZONAL LUMEN SUMMARY

Zone	Lumens	%Lamp	%Fixt
0.00 - 30.00	3154.01	22.28	28.67
0.00 - 40.00	5102.26	36.04	46.39
0.00 - 60.00	8780.89	62.03	79.83
0.00 - 90.00	10999.25	77.69	100.00
90.00 - 120.00	4.87	0.03	0.04
90.00 - 150.00	4.87	0.03	0.04
90.00 - 180.00	4.87	0.03	0.04
0.00 - 180.00	10999.25	77.69	100.00

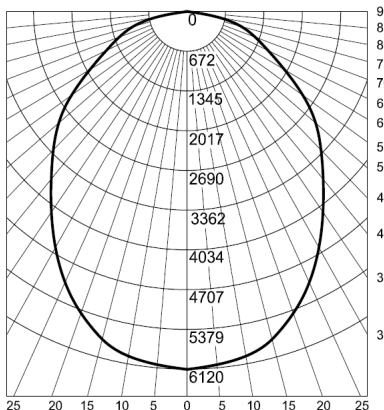
CANDELA DISTRIBUTION

0.00	22.50	45.00	67.50	90.00
0.00	4191.96	4191.96	4191.96	4191.96
5.00	4058.96	4094.71	4108.81	4105.67
10.00	4031.17	4005.36	4024.37	4004.69
15.00	3901.82	3900.35	3888.89	3892.93
20.00	3766.14	3745.48	3761.76	3771.40
25.00	3578.90	3586.51	3589.39	3592.47
30.00	3394.48	3381.70	3361.68	3383.60
35.00	3138.40	3129.22	3123.58	3125.00
40.00	2846.33	2850.74	2854.54	2845.06
45.00	2561.74	2551.06	2550.09	2561.11
50.00	2243.08	2248.47	2242.15	2233.47
55.00	1925.63	1927.15	1925.88	1925.71
60.00	1608.62	1603.71	1599.09	1604.00
65.00	1280.39	1283.81	1285.64	1281.23
70.00	972.80	968.07	971.20	966.70
75.00	690.10	691.96	687.90	689.61
80.00	435.52	434.91	434.73	436.01
85.00	175.28	176.80	178.80	179.90
90.00	18.34	17.61	17.51	17.78

CONE OF LIGHT



RRD LED 4FT LTG3 3500K
 DELIVERED LUMENS: 15,945Lm
 TOTAL WATTS: 198W
 EFFICACY: 80 Lumens/Watt



ZONAL LUMEN SUMMARY

Zone	Lumens	%Lamp	%Fixt
0.00 - 30.00	4572.90	22.28	28.68
0.00 - 40.00	7399.11	36.05	46.40
0.00 - 60.00	12734.86	62.04	79.86
0.00 - 90.00	15946.02	77.69	100.00
90.00 - 120.00	7.14	0.03	0.04
90.00 - 150.00	7.14	0.03	0.04
90.00 - 180.00	7.14	0.03	0.04
0.00 - 180.00	15946.02	77.69	100.00

CANDELA DISTRIBUTION

0.00	22.50	45.00	67.50	90.00
0.00	6051.47	6051.47	6051.47	6051.47
5.00	5940.99	5930.30	5899.81	5906.30
10.00	5797.26	5839.68	5777.07	5820.85
15.00	5589.80	5646.12	5670.42	5658.83
20.00	5451.09	5469.82	5456.22	5462.44
25.00	5207.24	5188.23	5195.34	5191.75
30.00	4916.93	4905.65	4902.33	4882.89
35.00	4537.99	4547.26	4528.00	4536.47
40.00	4111.57	4147.03	4145.87	4138.56
45.00	3719.15	3703.01	3703.10	3699.93
50.00	3267.14	3258.11	3261.42	3254.40
55.00	2799.34	2789.40	2784.86	2787.75
60.00	2331.89	2322.01	2320.64	2328.87
65.00	1853.79	1868.21	1849.48	1851.37
70.00	1409.40	1400.89	1407.18	1401.86
75.00	1006.64	999.67	991.17	990.97
80.00	631.36	629.25	633.22	631.40
85.00	251.39	257.65	259.05	257.14
90.00	26.75	25.47	24.93	27.03

CONE OF LIGHT

