



## RRD LED 2FT

Round architectural luminaire with 2ft diameter. For use in indoor applications where an LED luminaire is required; great for lobbies and corridors. Suitable for tee-grid and drywall installation.



### Features

- Glare-free lighting
- Available in custom lengths and long runs
- Corners and Patterns Available
- Damp Location Rated
- CRI Value: 80+; available in 90+
- 5 year, 50,000 hour lamp life Warranty
- 2700k, 3000k, 3500k, 4000k, and 5000k color temperatures available

### Applications

- Offices
- Lobbies
- Retail Stores
- Classrooms
- Reception Areas
- Corridors

### Details

**Construction:** Heavy gauge, cold rolled steel housing. Spun steel trim.

**Optics:** .125" thick concave opal lens.

**Electrical:** Integral driver with dimming. Several driver options available. See below for Lutron Dimming information:

**LTEA**=2-wire forward phase; Hi-lume 1% Dimming, only available for 120V.

**L3DA**=3-wire EcoSystem; Hi-lume 1% Dimming

**LDE1**=Digital EcoSystem; Hi-lume 1% Dimming, 'soft-on fade-to-black' (Required for Daylighting)

**LDE5**=5 Series EcoSystem; 5% Dimming.

**Warranty:** 5 year limited warranty; covers standard components.

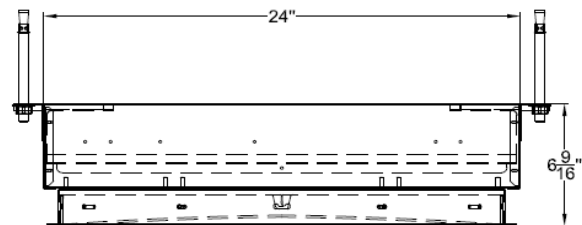
**Approvals:** Union made, ETL listed, and manufactured in the US. Rated for Damp Location.

### LED System Information

	Nominal System Watts	Nominal Delivered Lumens	Nominal Efficacy
Standard (LTG1)	37W	3,125Lm	84Lm/W
Low (LTG2)	33W	2,810Lm	85Lm/W
High (LTG3)	42W	3,500Lm	83Lm/W

**Please Note:** Standard CRI is 80+, must specify for requests over 90. Outputs reflected in chart based on 4000K color temperature. For custom LED package requests consult factory; wattages vary based on specified output. Additional photometric information available.

### Extrusion Dimensions



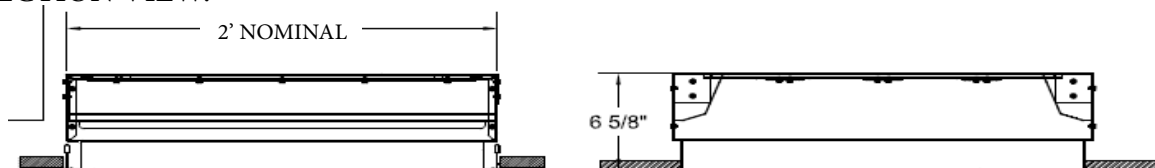
### Ordering Information

RRD LED Series	Size	LED System	Color Temp	Voltage	Mounting	Driver	Options
	2FT	LTG1- Standard	2700K	120	T- 9/16" Tee Grid	DB- Standard 10% Dimming (0-10V)	EM-Emergency Pack
		LTG2- Low	3000K	277	SR- Sheetrock	DB1%-1% Dimming (0-10V)	WH-Whips
		LTG3- High	3500K	UNV		LTEA*-Lutron 2-wire 1% Dimming	EIS- Integral Sensor by Enlighted
		C- Custom Output (ie-C3500Lm)	4000K			L3DA*-Lutron 3-wire 1% Dimming	WIS- Integral Sensor by Wattstopper
			5000K			LDE1*-Lutron Digital EcoSystem	90CRI- CRI of 90+
						LDE5*-5 Series EcoSystem; 5% Dimming	

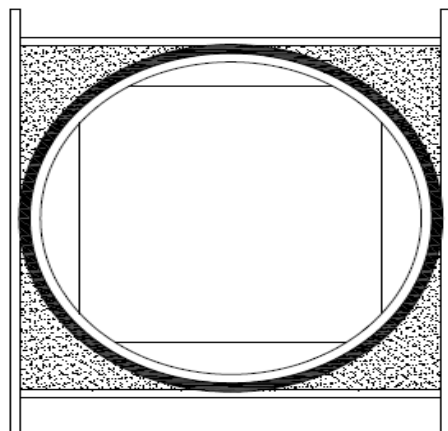
\*Refer to 'Electrical' Information Above

Ordering Example: RRD LED-2FT-LTG1-4000K-UNV-NT-LTEA-EM

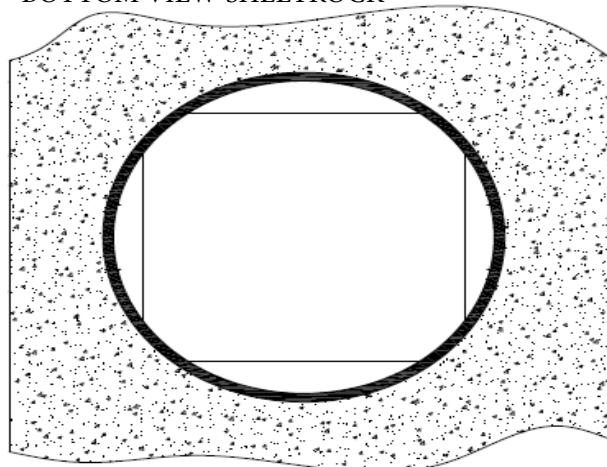
### CROSS SECTION VIEW:



BOTTOM VIEW-GRID

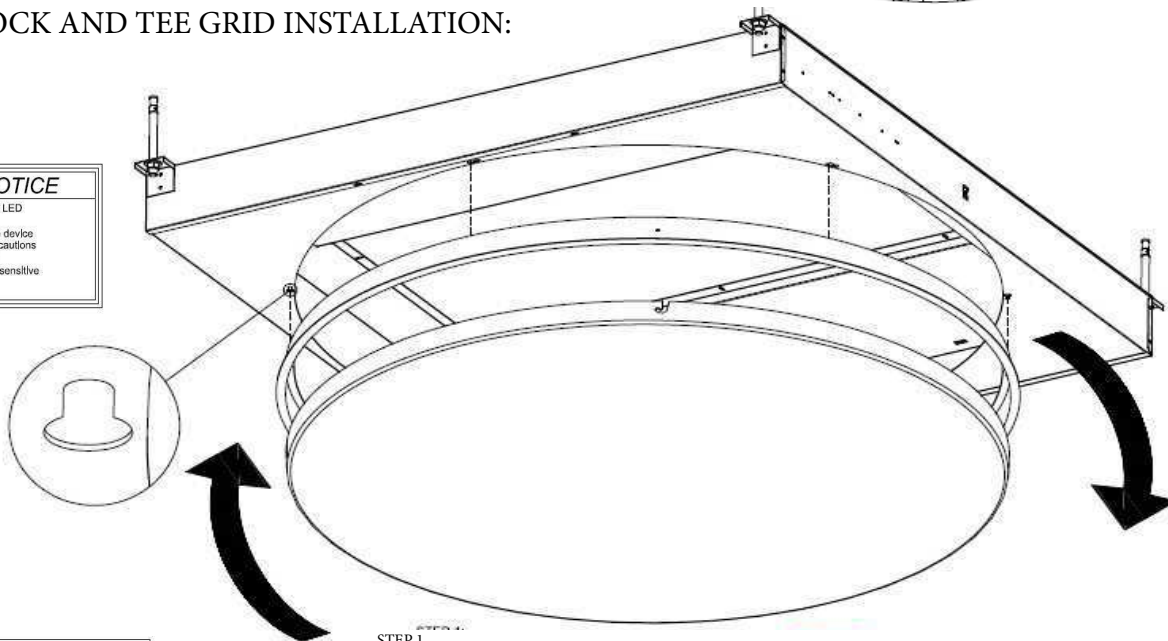


BOTTOM VIEW-SHEETROCK



### SHEETROCK AND TEE GRID INSTALLATION:

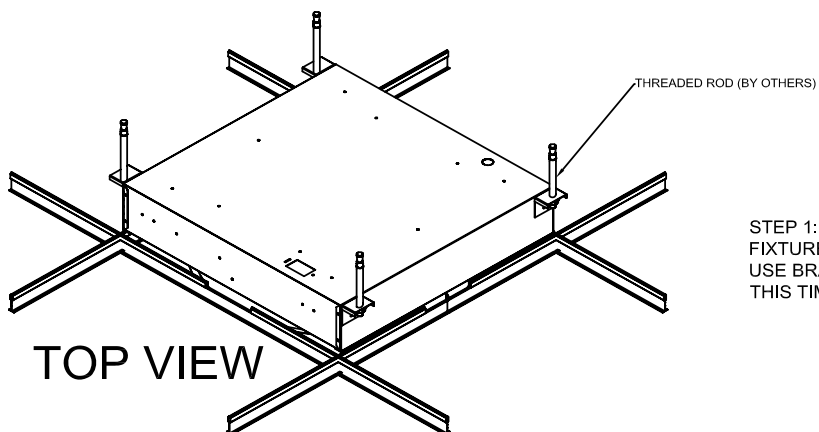
	<b>NOTICE</b>
	<p>Do not touch LED boards May damage device Observe precautions for handling electrostatic sensitive devices.</p>



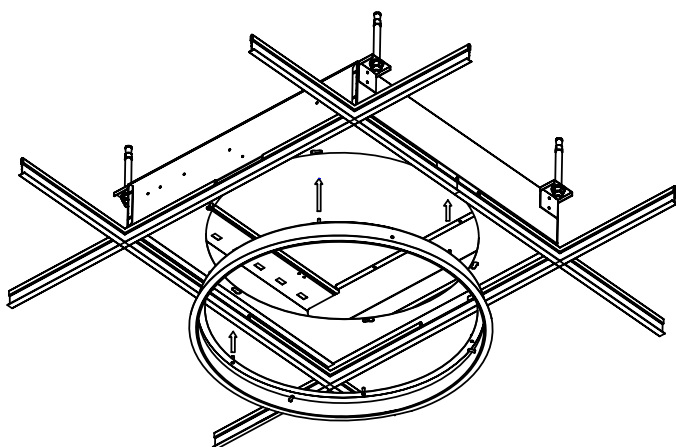
	<b>⚠ DANGER</b>
	<p>Hazardous voltage. Contact will cause electric shock or burn. Only work on de-energized equipment. Disconnect power before wiring fixture.</p>

- STEP 1**  
FIXTURE MUST BE SUPPORTED BY THREADED ROD. USE BRACKETS PROVIDED FOR SUPPORT. AT THIS TIME, HOOK UP ELECTRICAL CONNECTION
- STEP 2**  
ATTACH RING INTO FIXTURE USING KEY SLOTS AS SHOWN ON DETAIL. USE NUTS TO LOCK RING IN PLACE. AT THIS TIME, MAKE SURE THAT FLANGE OF FIXTURE SITS FLUSH WITH FINISHED CEILING. **\*\*\*DO THIS BEFORE FINISHED CEILING IS INSTALLED\*\*\***
- STEP 3**  
TWIST LOCK LENS INTO PLACE

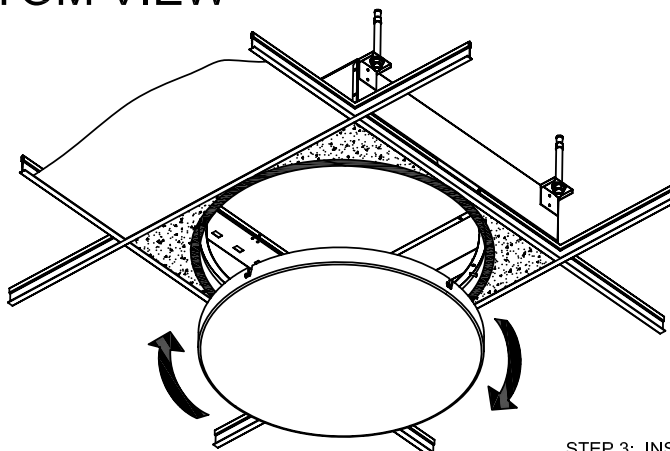
## GRID INSTALLATION INSTRUCTIONS:



STEP 1:  
FIXTURE MUST BE SUPPORTED BY THREAD ROD  
USE BRACKETS PROVIDE FOR SUPPORT. AT  
THIS TIME, DO YOUR ELECTRICAL CONNECTION.



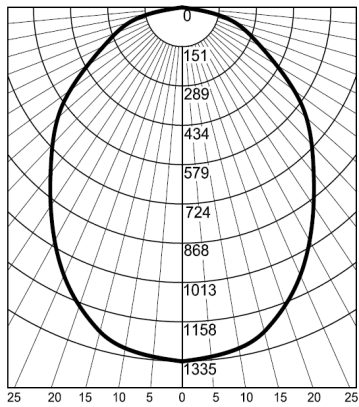
STEP 2:  
ONCE HOUSING IS SUPPORTED, MUST CUT TILE  
AROUND THE RING AND TWIST LOCK RING INTO  
HOUSING. ONCE LOCK IN MUST TIGHTEN NUTS  
IN HOUSING TO KEEP RING IN PLACE.



STEP 3: INSTALL LENS BY TWIST LOCKING IN  
THE PROPER LOCATION, INSTALLATION IS NOW  
COMPLETED.

## Photometrics

**RRD LED 2FT LTG1 3500K**  
 DELIVERED LUMENS: 3,031Lm  
 TOTAL WATTS: 37W  
 EFFICACY: 82 Lumens/Watt



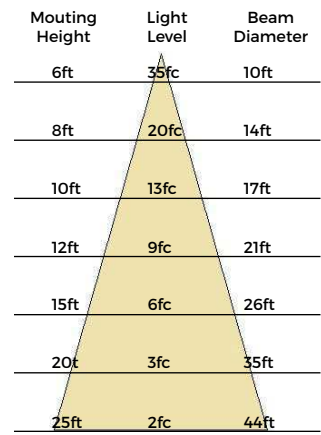
### ZONAL LUMEN SUMMARY

Zone	Lumens	%Lamp	%Fixt
0- 30	948	24.8	31.3
0- 40	1506	39.5	49.7
0- 60	2478	65.0	81.8
0- 90	3031	79.4	100.0
90-120	0	0.0	0.0
90-150	0	0.0	0.0
90-180	0	0.0	0.0
0-180	3031	79.4	100.0

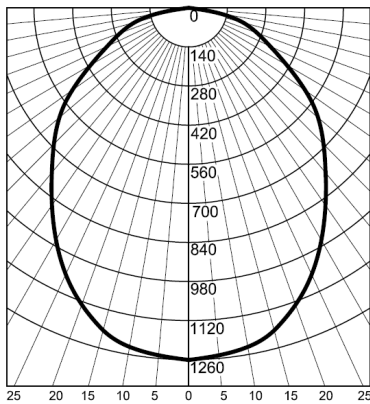
### CANDELA DISTRIBUTION

	0.0	22.5	45.0	67.5	90.0
0.0	1254.99	1254.99	1254.99	1254.99	1254.99
5.0	1225.97	1244.31	1249.14	1240.92	1260.49
10.0	1225.21	1228.14	1227.12	1227.80	1228.29
15.0	1186.81	1191.38	1188.68	1190.19	1189.48
20.0	1126.47	1133.13	1131.70	1133.73	1137.50
25.0	1072.50	1068.98	1067.21	1067.19	1066.27
30.0	989.32	993.96	988.36	987.35	988.93
35.0	899.26	895.14	895.81	894.22	898.38
40.0	800.86	799.50	797.87	795.68	797.57
45.0	695.10	694.81	694.03	693.69	697.00
50.0	594.86	592.01	589.68	587.24	586.07
55.0	493.94	493.40	491.10	489.59	490.05
60.0	398.99	399.38	397.90	395.55	396.06
65.0	312.99	313.60	313.73	311.95	311.47
70.0	236.57	234.73	235.94	234.57	232.71
75.0	167.58	167.01	166.65	166.10	166.00
80.0	112.54	113.04	111.32	112.48	112.24
85.0	56.61	57.54	56.69	57.48	56.88
90.0	7.36	7.72	7.84	7.56	8.25

### CONE OF LIGHT



**RRD LED 2FT LTG2 3500K**  
 DELIVERED LUMENS: 2,730Lm  
 TOTAL WATTS: 33W  
 EFFICACY: 83 Lumens/Watt



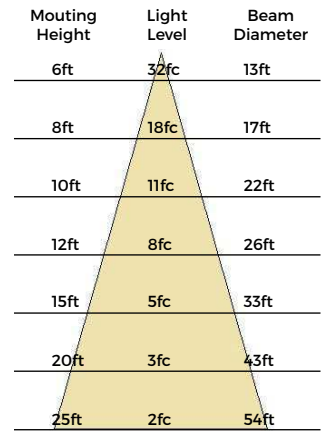
### ZONAL LUMEN SUMMARY

Zone	Lumens	%Lamp	%Fixt
0- 30	853	24.9	31.3
0- 40	1355	39.5	49.7
0- 60	2229	65.0	81.8
0- 90	2727	79.4	100.0
90-120	0	0.0	0.0
90-150	0	0.0	0.0
90-180	0	0.0	0.0
0-180	2727	79.4	100.0

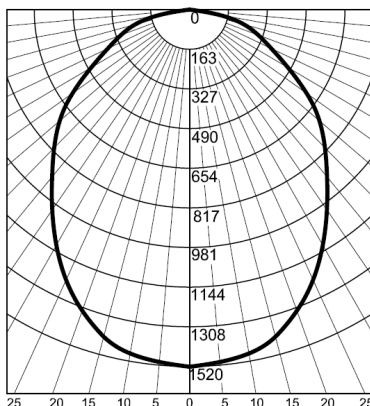
### CANDELA DISTRIBUTION

	0.0	22.5	45.0	67.5	90.0
0.0	1148.07	1148.07	1148.07	1148.07	1148.07
5.0	1123.36	1127.18	1125.58	1118.19	1123.00
10.0	1096.52	1102.70	1104.44	1106.40	1107.67
15.0	1072.44	1067.21	1070.98	1072.53	1068.74
20.0	1017.17	1018.04	1017.95	1020.44	1019.07
25.0	963.89	962.32	962.72	961.97	958.08
30.0	894.23	893.69	890.95	885.80	890.44
35.0	806.45	807.88	801.31	805.62	801.70
40.0	716.93	716.31	717.69	717.14	718.81
45.0	625.23	626.70	623.83	622.59	621.75
50.0	533.89	534.34	530.29	526.78	528.73
55.0	444.77	444.58	441.21	442.15	439.54
60.0	357.78	359.56	358.62	354.91	356.00
65.0	282.78	281.78	281.25	280.81	279.78
70.0	209.38	212.70	210.17	210.17	209.97
75.0	152.05	151.08	149.69	149.63	149.33
80.0	101.89	101.55	100.89	100.43	100.77
85.0	51.19	51.62	51.48	51.18	51.81
90.0	6.79	6.53	6.96	6.65	7.46

### CONE OF LIGHT



**RRD LED 2FT LTG3 3500K**  
 DELIVERED LUMENS: 3,420Lm  
 TOTAL WATTS: 42W  
 EFFICACY: 81 Lumens/Watt



### ZONAL LUMEN SUMMARY

Zone	Lumens	%Lamp	%Fixt
0- 30	1071	24.8	31.3
0- 40	1701	39.5	49.7
0- 60	2800	64.9	81.7
0- 90	3425	79.4	100.0
90-120	0	0.0	0.0
90-150	0	0.0	0.0
90-180	0	0.0	0.0
0-180	3425	79.4	100.0

### CANDELA DISTRIBUTION

	0.0	22.5	45.0	67.5	90.0
0.0	1428.48	1428.48	1428.48	1428.48	1428.48
5.0	1414.52	1398.79	1395.90	1409.44	1420.87
10.0	1376.60	1385.63	1380.76	1383.17	1385.10
15.0	1345.14	1348.56	1345.31	1340.80	1360.53
20.0	1275.24	1279.35	1277.85	1275.76	1282.43
25.0	1211.23	1207.18	1207.83	1204.87	1212.65
30.0	1119.53	1123.45	1117.89	1117.16	1114.39
35.0	1017.16	1010.34	1009.48	1013.47	1008.48
40.0	902.86	901.77	900.19	902.48	897.76
45.0	787.97	785.36	782.06	781.70	782.62
50.0	669.55	666.58	664.99	663.68	662.37
55.0	557.38	559.86	557.11	554.03	554.10
60.0	452.80	451.53	449.58	449.62	447.69
65.0	357.54	353.35	354.76	352.47	352.73
70.0	265.55	267.19	265.14	264.31	264.72
75.0	189.24	189.10	188.84	187.98	189.67
80.0	127.47	126.73	126.05	126.00	126.84
85.0	65.86	64.73	64.67	64.39	65.38
90.0	8.50	8.39	8.27	8.38	8.71

### CONE OF LIGHT

