



## CPM LED

Specially designed perimeter system offered with either regressed, flush, or no lens and provided with wall wash reflector. Cut to fit exact measurements.



### Features

- Cut to exact dimensions of space
- Damp Location Rated
- CRI Value: 80+; available in 90+
- 5 year, 50,000 hour lamp life Warranty
- 2700k, 3000k, 3500k, 4000k, and 5000k color temperatures available

### Applications

- Offices
- Lobbies
- Retail Stores
- Reception Areas
- Corridors

### Details

**Construction:** Extruded Aluminum.

**Lens:** Optional regressed, flush, or no lens.

**Electrical:** Integral driver with dimming. Several driver options available. See below for Lutron Dimming information:

- LTEA**=2-wire forward phase; Hi-lume 1% Dimming, only available for 120V.
- L3DA**=3-wire EcoSystem; Hi-lume 1% Dimming
- LDE1**=Digital EcoSystem; Hi-lume 1% Dimming, 'soft-on fade-to-black' (Required for Daylighting)
- LDE5**=5 Series EcoSystem; 5% Dimming.

**Warranty:** 5 year limited warranty; covers standard components.

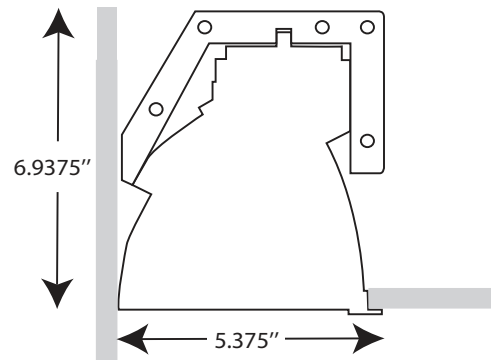
**Approvals:** Union made, ETL listed, and manufactured in the US. Rated for Damp Location.

### LED System Information

|                 | Nominal System Watts | Nominal Delivered Lumens | Nominal Efficacy |
|-----------------|----------------------|--------------------------|------------------|
| Standard (LTG1) | 7.25W/ft             | 740Lm/ft                 | 102Lm/W          |
| Low (LTG2)      | 5W/ft                | 510Lm/ft                 | 102Lm/W          |
| High (LTG3)     | 8.75W/ft             | 850Lm/ft                 | 97Lm/W           |

**Please Note:** Values reflect 'RG' option. Standard CRI is 80+, must specify for requests over 90. Outputs reflected in chart based on 4000K color temperature. For custom LED package requests consult factory; wattages vary based on specified output. Additional photometric information available.

### Extrusion Dimensions



### Ordering Information

#### CPM LED

##### Series

##### Size

- 4FT
- 8FT
- XFT (Continuous Row Mounting)

##### LED System

- LTG1- Standard
- LTG2- Low
- LTG3- High
- C- Custom Output (ie-C650Lm/ft)

##### Color Temp

- 2700K
- 3000K
- 3500K
- 4000K
- 5000K

##### Voltage

- 120
- 277
- UNV

##### Lens

- O- Open
- RG- Regressed
- FL- Flushed

##### Driver

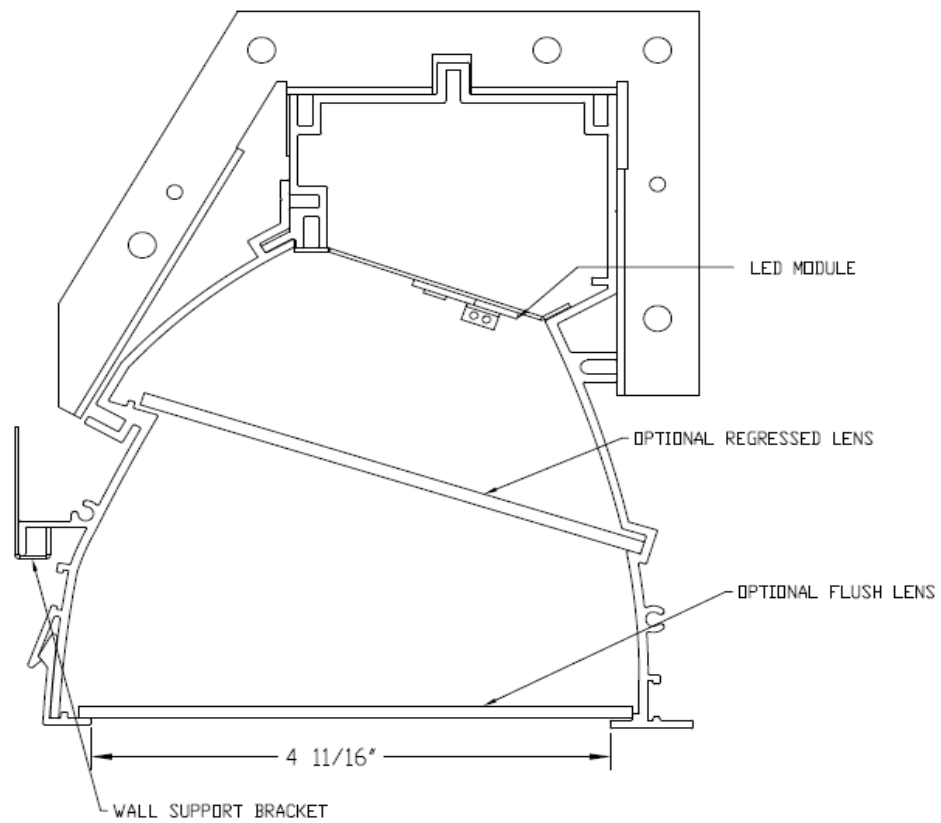
- DB- Standard 10% Dimming (0-10V)
- DB1%-1% Dimming (0-10V)
- DB.01%-0.01% Dimming (0-10V)
- LTEA\*-Lutron 2-wire 1% Dimming
- L3DA\*-Lutron 3-wire 1% Dimming
- LDE1\*-Lutron Digital EcoSystem
- LDE5\*-5 Series EcoSystem; 5% Dimming

##### Options

- EM-Emergency Pack
- EIS- Integral Sensor by Enlighted
- WIS- Integral Sensor by Wattstopper
- 90CRI- CRI of 90+
- CC- Custom Color

\*Refer to 'Electrical' Information Above

Ordering Example: CPM LED-4FT-LTG1-4000K-UNV-RG-LTEA-EM



DO NOT MODIFY OR ALTER THIS PRODUCT IN ANY WAY, OR INSTALL IN ANY FASHION WHICH IS CONTRARY TO THE INSTRUCTIONS CONTAINED HEREIN.

IF YOU HAVE ANY QUESTIONS REGARDING THIS PRODUCT OR THE INSTALLATION OF IT, PLEASE CALL CORONET, INC AT 973-345-7660.

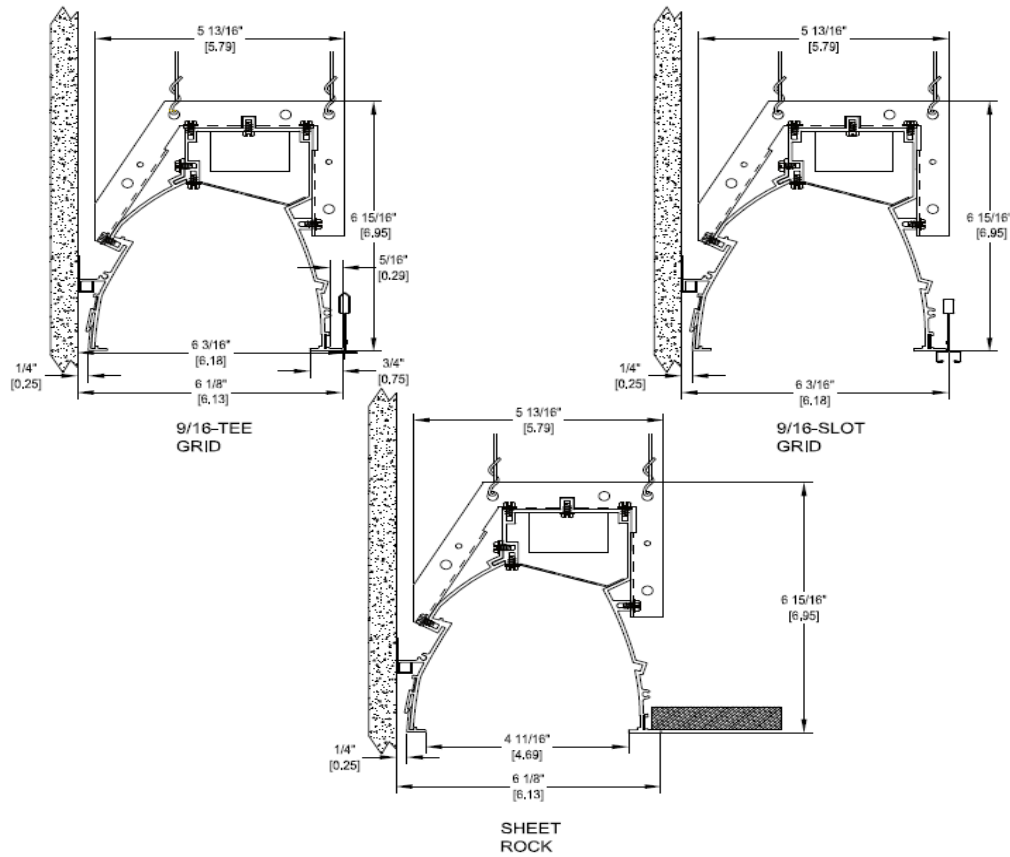
**NOTES: PRIOR TO STARTING**

- A. WALL SURFACE SHOULD BE FINISHED A MINIMUM OF 8" ABOVE THE CEILING
- B. SUPPORT RAILS ARE SHIPPED IN 48" LENGTHS: SAWCUT TO SUIT FIELD CONDITIONS. ONE SUPPORT RAIL PER FIXTURE TO BE MOUNTED ON CENTER OF UNIT.

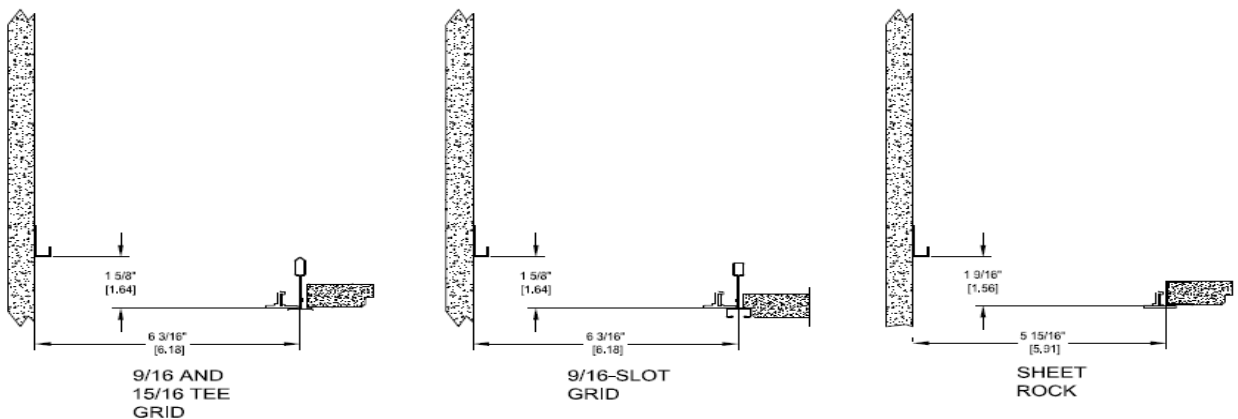
**INSTRUCTIONS:**

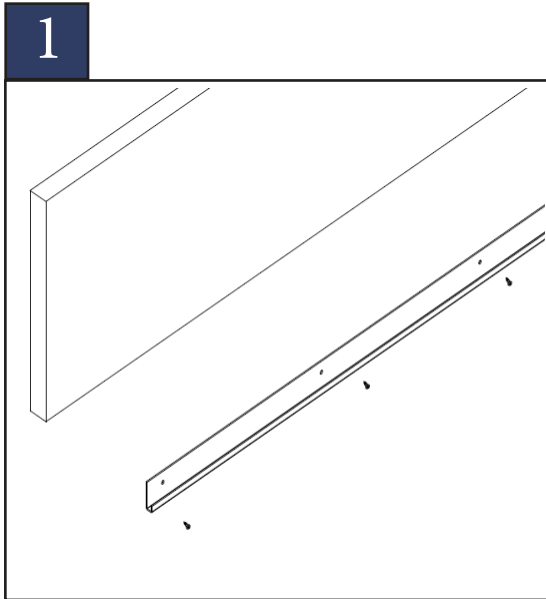
(IMPORTANT- CORRECT LOCATION IS BASED ON CEILING TYPE BEING USED; SEE BELOW)

1. CHALK LEVEL LINE ABOVE CEILING ALONG THE WALL FOR POSITIONING THE BOTTOM EDGE OF THE SUPPORT RAIL. SEE BELOW FOR DIMENSION.
2. PLACE BOTTOM EDGE OF SUPPORT RAIL ON CHALK LINE AND FASTEN TO WALL WITH HARDWARE NEEDED.
3. MOUNT SUPPORT RAILS TO WALL. SHIM BEHIND SUPPORT RAILS WHEN NECESSARY TO FORM A CONTINUOUS STRAIGHT RAIL.

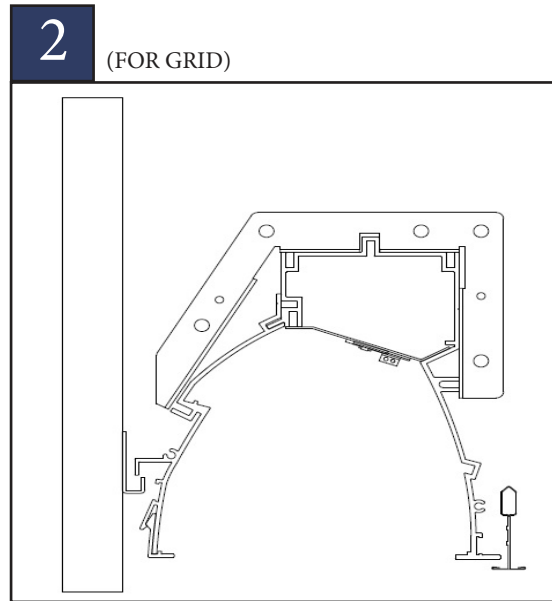


**Ceiling Types:**

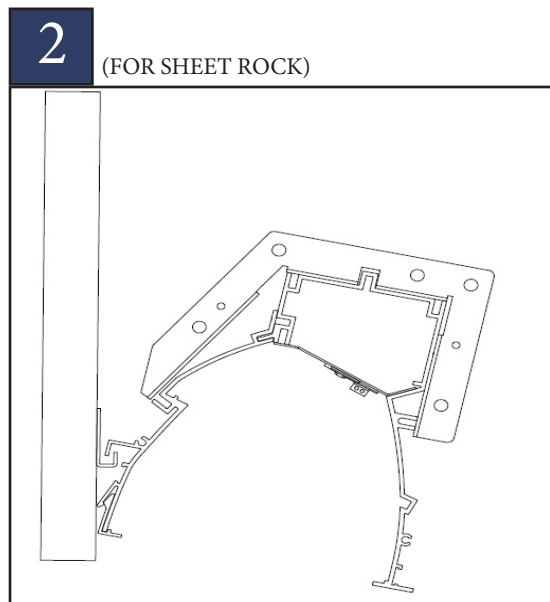




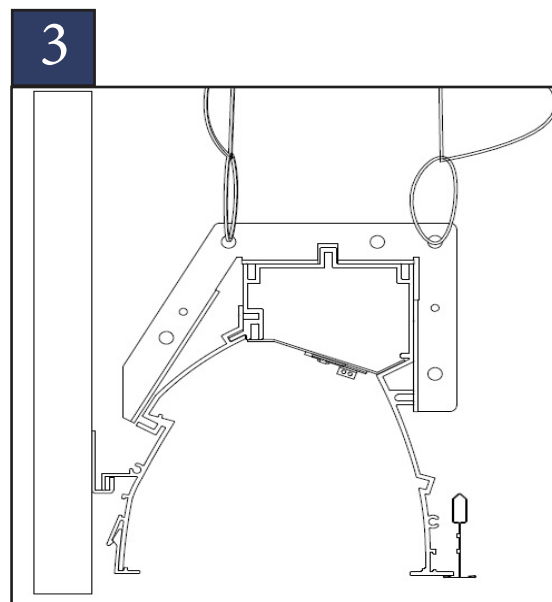
**1**  
MOUNT SUPPORT BRACKET TO WALL



**2** (FOR GRID)  
LIFT HOUSING INTO PLACE AND ENGAGE WITH BOTH SUPPORT BRACKET AND GRID



**2** (FOR SHEET ROCK)  
LIFT HOUSING INTO PLACE AND ENGAGE WITH SUPPORT BRACKET



**3**  
SECURE WIRE-TIES TO BRACKETS

## CONNECTING RUNS:

### INSTRUCTIONS:

1. Slide aligner keys into appropriate grooves on adjoining unit.
2. Place screws into brackets and secure washers (included)

