

DATE _____

JOB NAME _____

TYPE _____

| Features | Applications |
|--|--|
| <ul style="list-style-type: none"> • Glare-free lighting • Available with 100% direct light or 100% uplight • Can be suspended or surface mounted | <ul style="list-style-type: none"> • Offices • Lobbies • Corridors • Retail Stores |

| Series | Size | Lamping | Voltage | Mounting | Options |
|------------|--|------------|-------------------|---|--|
| LS2 | 4FT (Nominal) 8FT (Nominal) XFT (Custom Lengths Available) | T5 T5HO | 120 277 UNV | AC—Aircraft Cable (24", 36" standard, 48") SM—Surface Mount WB—Wall Bracket | EM—Emergency Pack* (*Must specify voltage) EM2-2 Light Emergency* (*Must specify voltage) DB—Dimming Ballast SC—Separate Circuit UP- All Uplight CC- Custom Color |

Ordering Example: LS2-4FT-54WT5HO-UNV-SM-SC

Details

Application Features: Premium grade, modular architectural luminaire. For use in indoor applications where a T5 or T5HO luminaire with small profile providing continuous light is required. Only available with 1 lamp in cross section. Available as individual fixtures or with end and intermediate units for mounting in continuous rows. Available in suspended, surface or wall mounted configurations. For all uplight configurations groove is shown on bottom. Adjustable suspension points (direct version only).

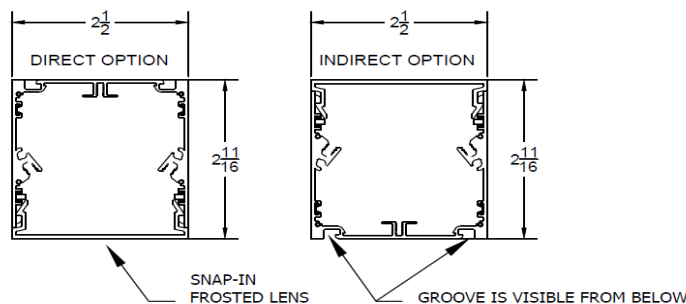
Construction: Extruded aluminum housing.

Finish: Powder painted matte white.

Approvals: Union made, UL listed, and manufactured in the US.

Optics: Satin White Snap-In Lens.

Options: Emergency Battery Backup (remote), Dimming Ballast, All Uplight.



Light Distribution:
 Indirect—0%. Direct—100%
 or Indirect—100%. Direct—0%