



DATE

JOB NAME

TYPE

Features

- Steel housing with white enamel finish
- Clean appearance, no exposed fasteners.
- Milk White Lens

Applications

- Office Areas
- Stairwells
- Corridors
- Class Rooms
- Hospitals
- Nursing Homes

Series	Size	LED System	Color Temp	Voltage	Mounting	Options
BPR LED	2x2	LTG1- Standard LTG2- Low LTG3- High C- Custom Package (Consult Factory)	3000K 3500K 4000K 5000K	120 277 UNV	SM- Surface Mount PS- Pendant Stem	EM- EM Pack* DB- Dimming SC- Separate Circuit WH- Whips

* Voltage must be specified with EM option

Ordering Example: BPR LED-2X2-LTG2-4000K-UNV-SM-DB

LED System Information

Options:

PACKAGE	SYSTEM WATTS	DELIVERED LUMENS
LTG1 (STANDARD)	29.5W	3280Lm
LTG2 (LOW)	27W	2975Lm
LTG3 (HIGH)	33W	3755Lm

Color Temperature Pro-rate:

CCT	OUTPUT
3000K	95%
3500K	97%
4000K	100%
5000K	103%

***FOR ANY CUSTOM LED PACKAGE REQUESTS CONSULT FACTORY

Details

Application Features: Specification grade, surface mounted luminaire with milk white lens. For use in indoor applications where a LED luminaire with maximum efficiency is required. Available in 1x4, 2x2 and 2x4 configurations.

Construction: Die formed and spot welded, heavy guage cold rolled steel housing. Diffuser held within hinged door frame, hinges from either side using steel pin hinges and is held in closed position by two positive cam latches. Ballast accessed through tool-less ballast cover. Sufficient knock-outs provided for optional pendant stems.

Electrical: Integral driver.

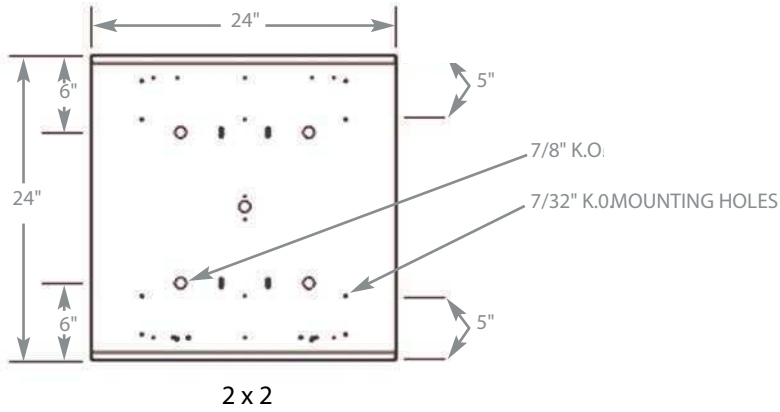
Approvals: Union made, ETL listed, and manufactured in the US.

Mounting: Surface mounts over electrical junction box or with optional pendant stems.

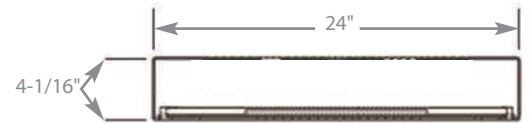
Optics: Milk White Lens

Options: Emergency Battery Backup, Dimming, and 6' Whips.

TOP VIEW

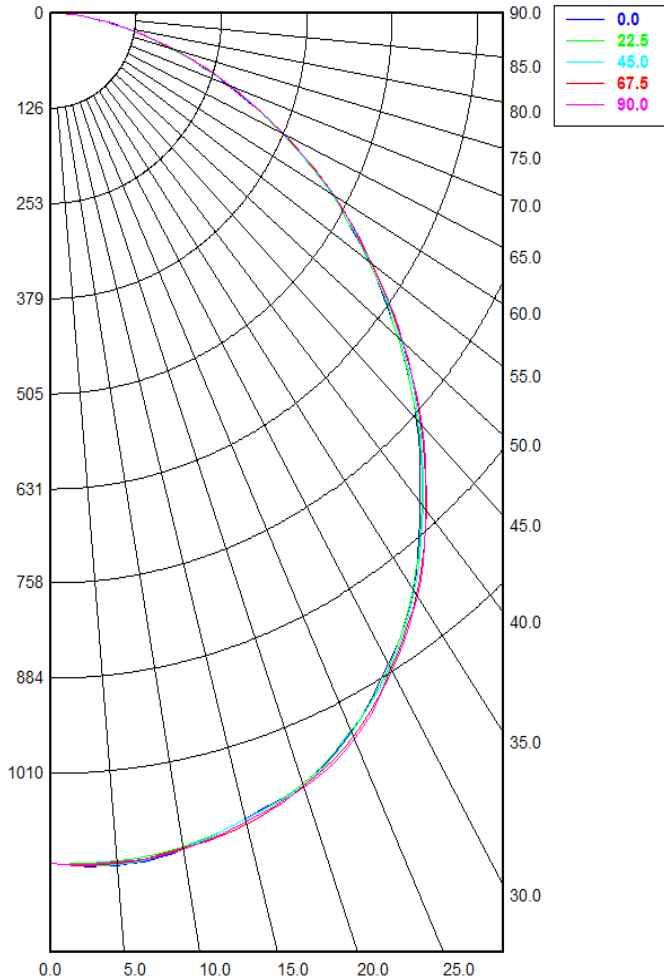


CROSS SECTION



Photometrics:

BPR LED-2X2-LTG1-4000K:



Candela Distribution:

	0.0	22.5	45.0	67.5	90.0
0.0	1139.10	1139.10	1139.10	1139.10	1139.10
5.0	1143.16	1140.65	1140.62	1141.78	1142.53
10.0	1137.01	1137.16	1136.83	1138.75	1129.96
15.0	1119.13	1120.63	1120.08	1123.41	1124.54
20.0	1094.14	1098.90	1102.50	1101.35	1101.93
25.0	1062.06	1064.09	1066.07	1070.30	1075.53
30.0	1011.16	1009.99	1011.80	1019.13	1020.69
35.0	946.30	945.26	947.91	951.73	954.91
40.0	863.01	865.08	868.65	871.96	875.26
45.0	778.79	777.60	782.06	786.26	787.64
50.0	682.07	681.00	685.90	689.62	692.53
55.0	582.69	585.51	586.63	590.87	592.47
60.0	484.33	484.75	486.94	491.46	493.33
65.0	380.77	381.08	383.32	385.93	387.19
70.0	283.49	283.74	285.62	288.12	287.98
75.0	191.69	191.95	192.39	194.04	195.24
80.0	109.69	109.05	109.94	111.41	112.25
85.0	44.76	45.04	44.91	46.37	46.11
90.0	6.96	7.04	6.87	6.89	7.00

Zonal Lumen Summary

Zone	Lumens	%Lamp	%Fixt
0- 30	921	23.5	28.1
0- 40	1511	38.6	46.1
0- 60	2635	67.3	80.4
0- 90	3277	83.7	100.0
90-120	0	0.0	0.0
90-150	0	0.0	0.0
90-180	0	0.0	0.0
0-180	3277	83.7	100.0

Total Luminaire Optical Efficiency = 82.6%

Coefficients of Utilization - Zonal Cavity Method

pfc = 0.20

pcc->	.8				.7				.5				.3				.0			
pw->	.7	.5	.3	.0	.7	.5	.3	.0	.5	.3	.0	.5	.3	.0	.5	.3	.0	.5	.3	.0

RCR	0	100	100	100	100	98	98	98	98	93	93	93	89	89	89	86	86	86	84
1	91	88	84	79	89	86	82	78	82	79	76	79	77	74	72	72	72	71	
2	83	76	71	64	81	75	70	63	72	68	62	69	66	61	60	60	60	59	
3	76	67	61	53	74	66	60	52	63	58	52	61	57	51	50	50	50	50	
4	70	60	52	44	68	59	52	44	56	51	44	54	49	43	43	43	43	43	
5	64	53	46	38	62	52	45	38	51	44	38	49	43	37	37	37	37	37	
6	59	48	41	33	58	47	40	33	46	39	33	44	39	33	32	32	32	32	
7	55	44	36	29	53	43	36	29	42	35	29	40	35	29	29	29	29	29	
8	51	40	33	26	50	39	32	26	38	32	26	37	31	26	26	26	26	26	
9	48	36	30	23	46	36	29	23	35	29	23	34	29	23	23	23	23	23	
10	45	34	27	21	44	33	27	21	32	26	21	32	26	21	21	21	21	21	