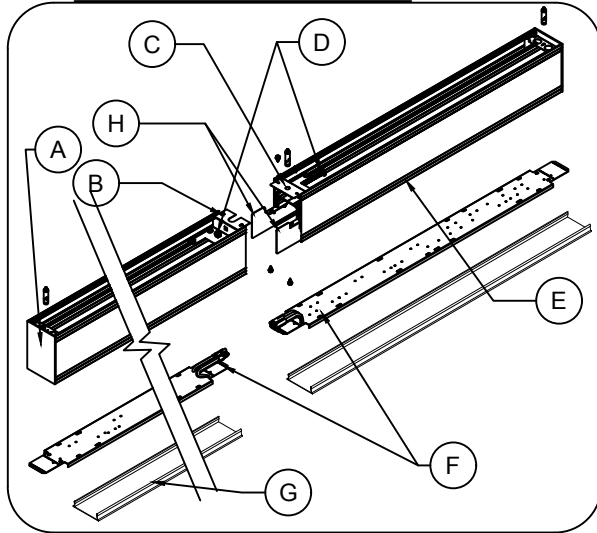
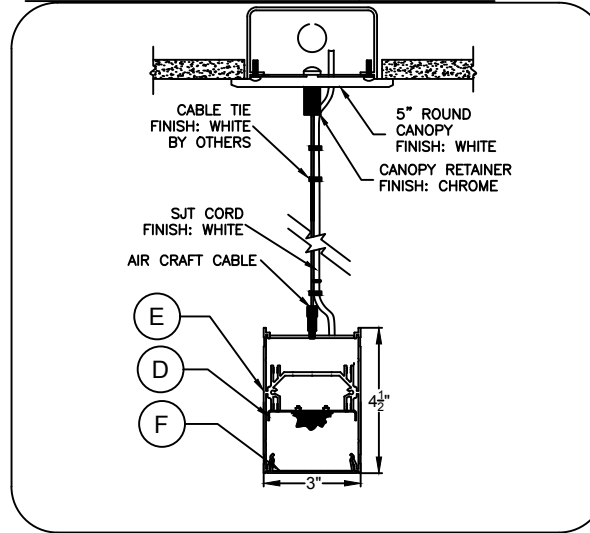


EXPLODED VIEW:



CROSS SECTION VIEW:



PART LIST:

A- END PLATE

B- MALE CONNECTING BRACKET

C- FEMALE CONNECTING BRACKET

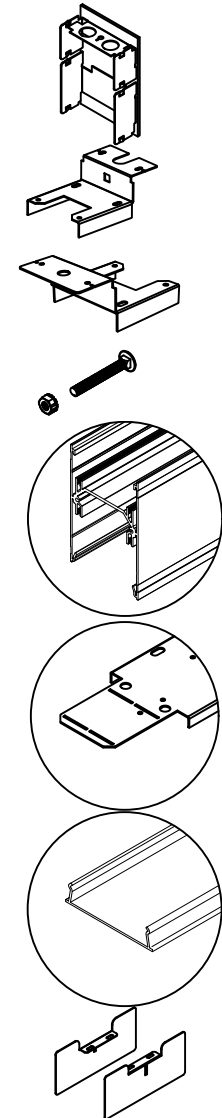
D- BOLT AND NUT

E- DIRECT FIXTURE

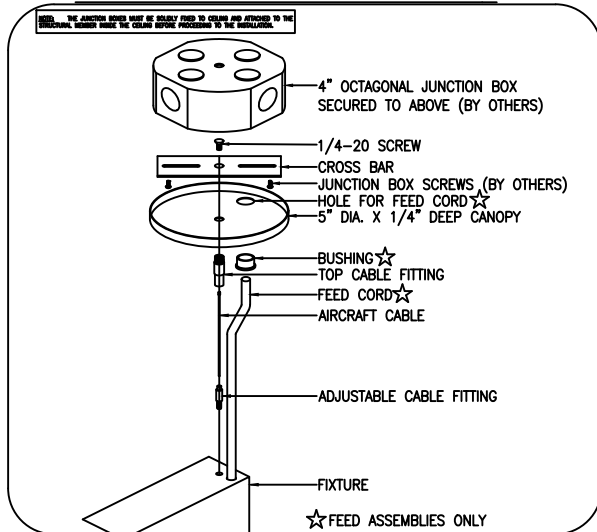
F- LED TRAY

G- LENS

H- ALIGNERS



POWER SIDE DETAIL:



NON POWER SIDE DETAIL:

