



DATE

JOB NAME

TYPE

Features	Applications
<ul style="list-style-type: none"> <li>• Opal white lens; .125" thick</li> <li>• Available for mounting in lay in T-bar and sheetrock ceilings</li> </ul>	<ul style="list-style-type: none"> <li>• Office Areas</li> <li>• Class Rooms</li> <li>• Retail Stores</li> <li>• Hospitals</li> </ul>

Series	Size	Lamping	Mounting	Options
RRD	2FT 3FT 4FT	T8 T5 T5HO <small>***SEE PAGE 2 FOR AVAILABLE LAMPING CONFIGURATIONS</small>	T-Lay-in for Tee Bar* F-Flange Kit for Sheetrock  *Standard Tee is 9/16". <b>Must</b> specify if 15/16"	EM- Emergency Pack DB- Dimming Ballast SC- Seperate Circuit SMR- Semi Recessed

Ordering Example: RRD-2FT-T5HO-T-EM

**Details**

**Application Features:** Specification grade, recessed troffer with formed circular lens. For use in indoor applications where a fluorescent luminaire is required

**Construction:** Die formed and embossed, heavy gauge cold rolled steel housing. Spun steel trim.

**Finish:** Powder coated matte white.

**Electrical:** Integral Driver

**Approvals:** Union made, UL listed, and manufactured in the US.

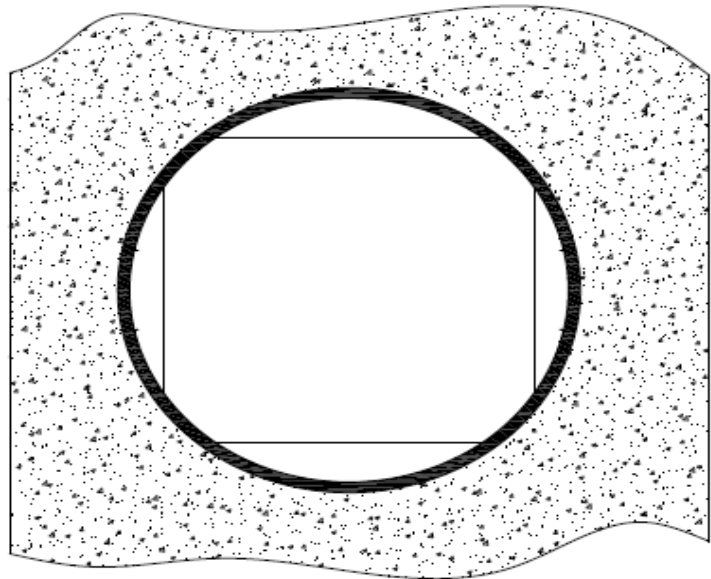
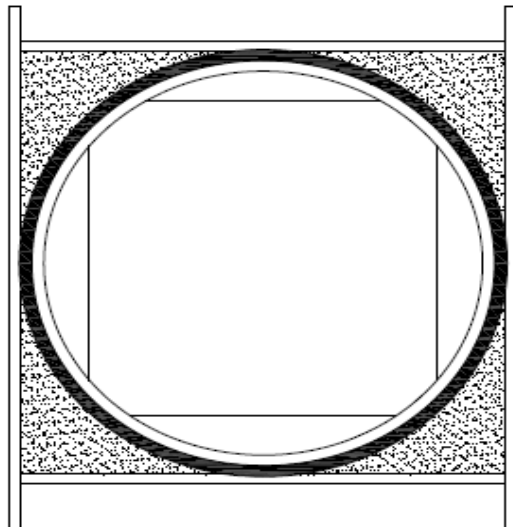
**Mounting:** Recessed mounting for T-Bar or with Flange Kit for sheetrock ceiling installation.

**Optics:** .125" thick concave opal lens

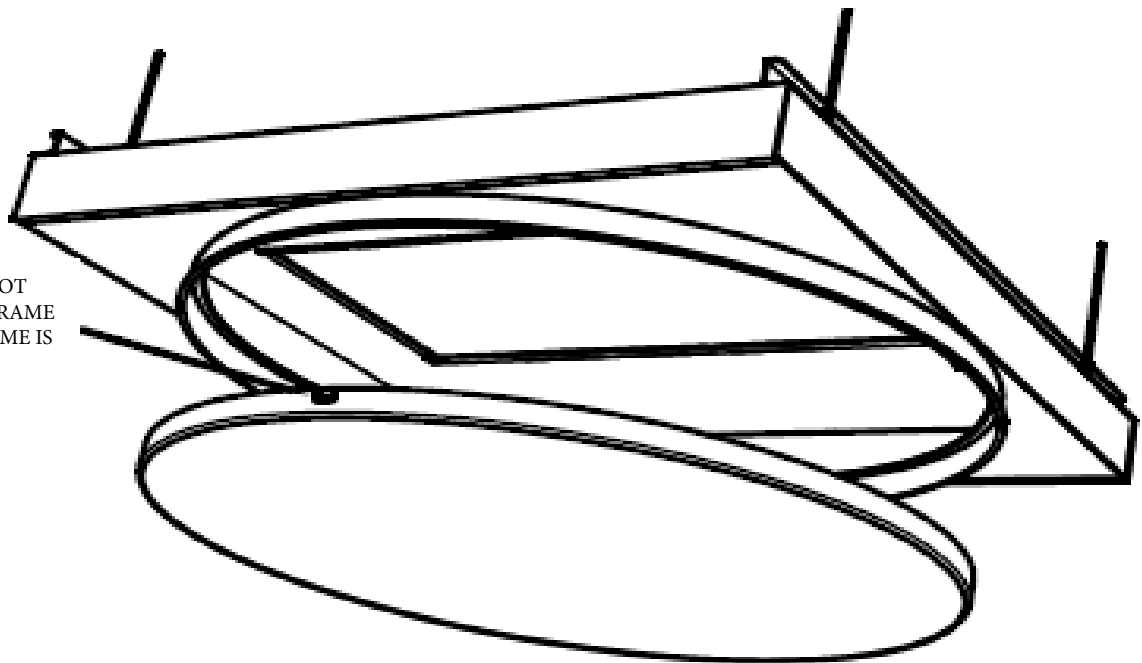
**Options:** Emergency Battery Backup, Separate Circuit



NOTE: FOR 3FT AND 4FT FIXTURES, MUST ADD 1-3/8" FOR SUPPORT BRACKETS (8" TOTAL DEPTH)



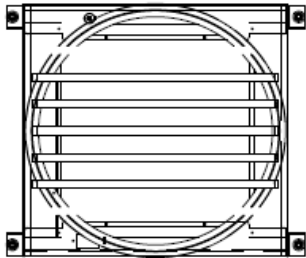
DOME TWIST-LOCK SLOT  
(INSERT DOME INTO FRAME PINS. TURN UNTIL DOME IS ENGAGED).



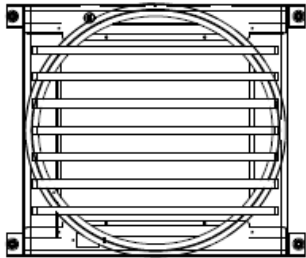
2FT

3FT

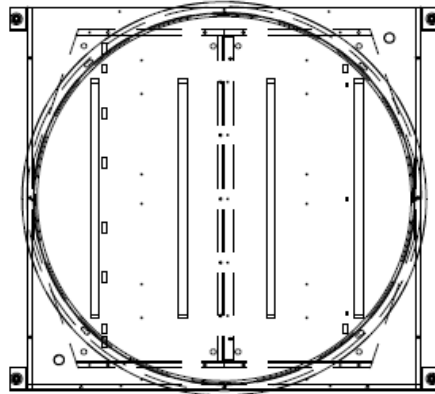
4FT



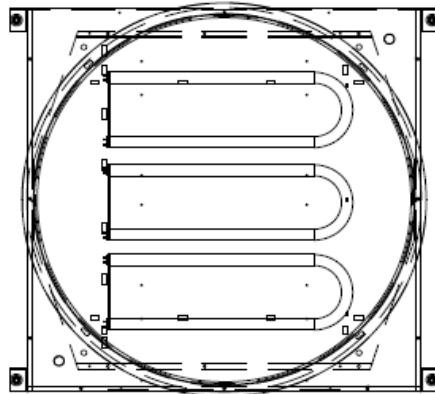
(4) T8 2FT LAMP



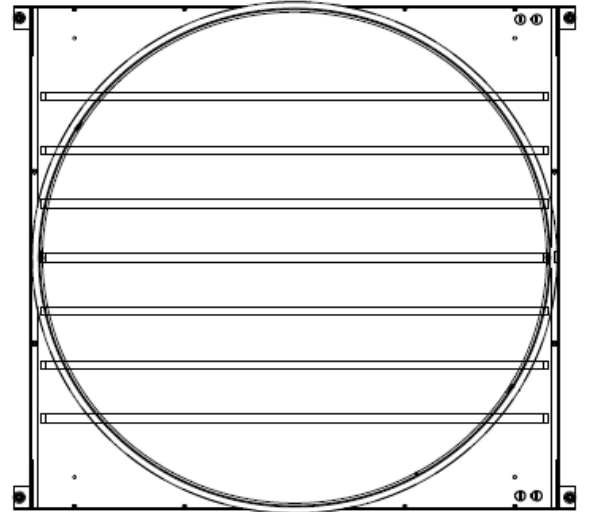
(7) T5/T5HO 2FT LAMP



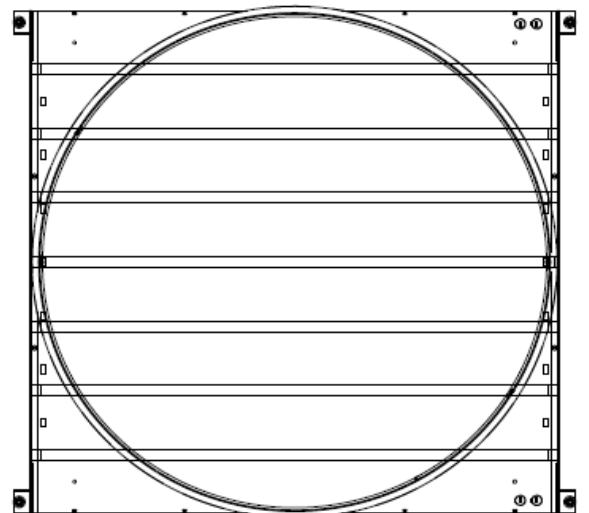
(4) T5/T5HO 2FT LAMPS



(3) T8U6 2FT LAMPS



(7) T5/T5HO 4FT LAMP



(7) LIGHT T8 4FT LAMP

\*\*\*For other lamp configuration requests please consult factory