



DATE

JOB NAME

TYPE

Features	Applications
<ul style="list-style-type: none"> <li>Indoor / outdoor, wet applications</li> <li>Enclosed surface luminaires</li> <li>Vandal resistant fixtures are ADA compliant.</li> </ul>	<ul style="list-style-type: none"> <li>Common walkways</li> <li>Stairwells</li> <li>Parking Garages</li> </ul>

Series	Style/Housing	Lamps	Watts	Guard	Color	Finish
AP	RS-ROUND SHALLOW RD-ROUND DEEP	1 2	13W CFL 18W CFL 26W CFL 32W CFL 42W CFL	OG—Open CG—Cross EG—Eyelid	W—White B—Bronze BL—Black T—Titanium	CR—Clear Ribbed F—Frosted WT—White Translucent

Ordering Example: AP-RD-1-26W-OG-W-F

**Details**

**Application Features:** Architecturally stylish-rugged construction, vandal resistant fixture. Metal housing and parts. Extruded EDPM ribbed, rubber gasketing seals the lens and the fixture interior from moisture, dirt and insects. Lens guards (one piece-injection molded) feature DEEP HOLES to allow rain to drain from the face of the fixture. Level bar / "top" indicator for easier installation.

**Construction:**Wet location, die cast marine grade aluminum housing with threaded / plugged conduit entry holes. Tamper-proof fasteners (Torx T-15 pin-in-head stainless steel screws) and nylon washers.

**Finish:** Pre-painted rust inhibitor process.

**Electrical:** Electronic ballasts are UL listed, Class P, thermally protected, Universal voltage, 50/60 Hz.

**Approvals:** Union made, UL Listed, and manufactured in the US. Shallow housing units are ADA compliant.

**Options:** White, Bronze or Titanium finishes, with Clear Ribbed, Frosted or White Translucent lenses. Availabe with 1 light emergency pack.

**Optics:** One piece, injection molded, polycarbonate lens – 0.125" thickness (Lens retaining clips provided).



AP- Round  
Color- Black  
Lens- Frosted  
Lens Protector-  
Cross Guard



AP- Round  
Color- Black  
Lens- White Translucent  
Lens Protector  
Eyelid Guard



AP- Round  
Color- Black  
Lens- Clear Ribbed  
Lens Protector  
Open Face



AP- Oval  
Color- Black  
Lens- Clear Ribbed  
Lens Protector  
Cross Guard

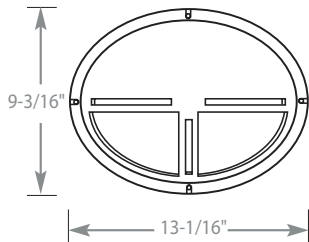


AP- Oval  
Color- Black  
Lens- Clear Ribbed  
Lens Protector-  
Eyelid Guard  
Mounting Horizontal

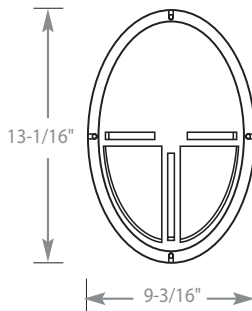


AP- Oval  
Color- Black  
Lens- Clear Ribbed  
Lens Protector-  
Eyelid Guard  
Mounting Vertical

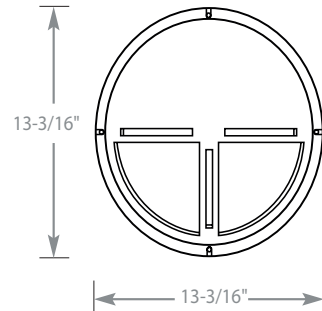
Oval - Horizontal



Oval - Vertical



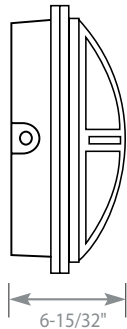
Round



Shallow



Deep



Shallow



Deep



\*\*\* ADA COMPLIANT