



DATE

JOB NAME

TYPE

Features	Applications
<ul style="list-style-type: none"> <li>• Steel housing with white enamel finish</li> <li>• Clean appearance, no exposed fasteners.</li> <li>• Shallow design; only 3" deep with lens and egg-crate, 4" deep with louver</li> </ul>	<ul style="list-style-type: none"> <li>• Office Areas</li> <li>• Stairwells</li> <li>• Corridors</li> <li>• Class Rooms</li> <li>• Hospitals</li> <li>• Nursing Homes</li> </ul>

Series	Size	Lamps	Watts	Voltage	Options
<b>BPR</b>	1 X 4	2	17WT8	120	EM-EM Pack 1-Lamp
	2 X 2	3	14WT5	277	EM2-EM Pack 2-Lamp
	2 X 4	4	24WT5HO	UNV	DB-Dimming Ballast
			32WT8U		SC-Separate Circuit
			32WT8		IR-Inner Reflector
			28WT5		MW-Milk White Lens
			40WBX		PS-Pendant Stems
			50WBX		(6", 12", 24", 36", 48")
			55WBX		
			54WT5HO		

Ordering Example: BPR-2X2-4-32WT8-MV-EM

**Details**

**Application Features:** Specification grade, surface mounted luminaire with clear prismatic #12 pattern acrylic lens. For use in indoor applications where a T8, T8 U-lamp, T5, T5HO, LED luminaire with maximum efficiency is required. Available in 1x4, 2x2 and 2x4 configurations.

**Construction:** Die formed and spot welded, heavy guage cold rolled steel housing. Diffuser held within hinged door frame, hinges from either side using steel pin hinges and is held in closed position by two positive cam latches. Ballast accessed through tool-less ballast cover. Sufficient knock-outs provided for optional pendant stems.

**Finish:** Powder painted white.

**Electrical:** Electronic ballasts are class P, thermally protected.

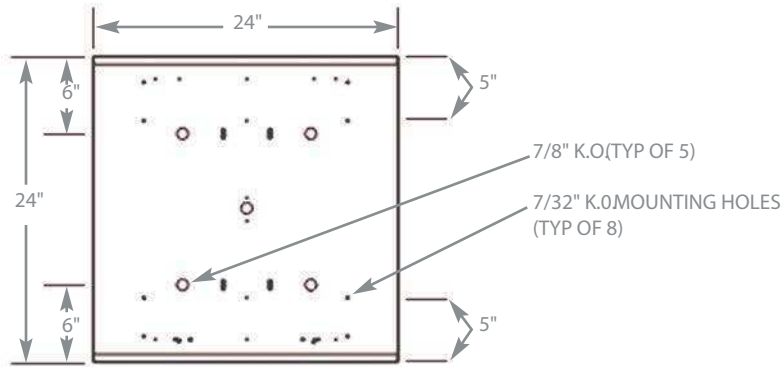
**Approvals:** Union made, UL Listed, and manufactured in the US.

**Mounting:** Surface mounts over electrical junction box or with optional pendant stems.

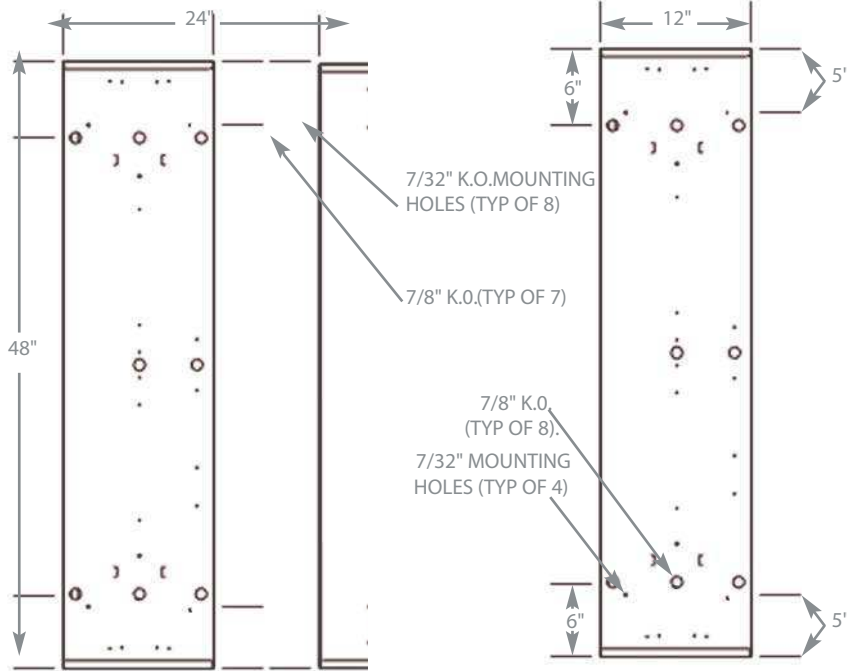
**Optics:** Clear prismatic #12 pattern extruded acrylic lens with optional milk white lens upon request.

**Options:** Emergency Battery Backup, Dimming Ballast, Separate Circuit, Milk White Lens, Inner Reflector, and Pendant Stems

TOPVIEWS



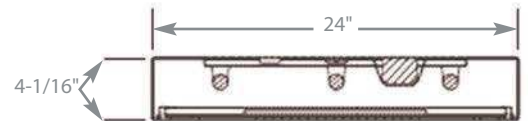
2 x 2



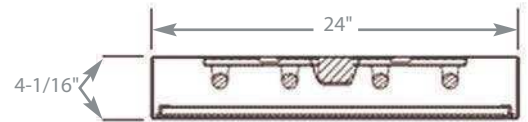
2 x 4

1 x 4

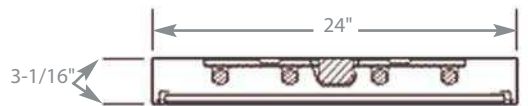
CROSS SECTIONS



2 x 2 / 2 x 4—3-Lamp



2 x 2 / 2 x 4—4-Lamp  
(deep house for use with louver)



2 x 2 / 2 x 4—4-lamp  
(shallow housing for use with lens  
and eggcrate)