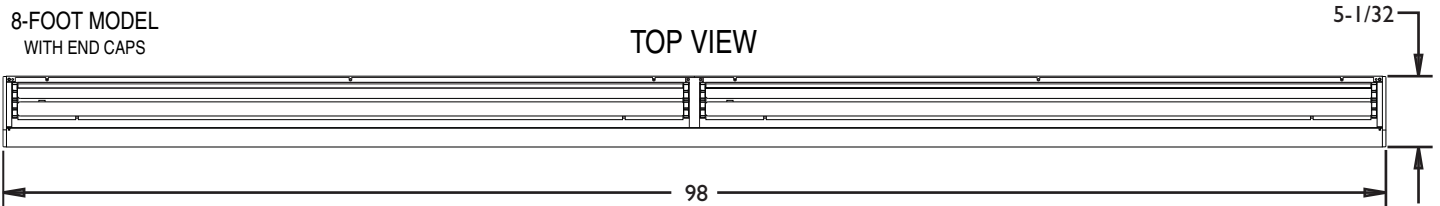
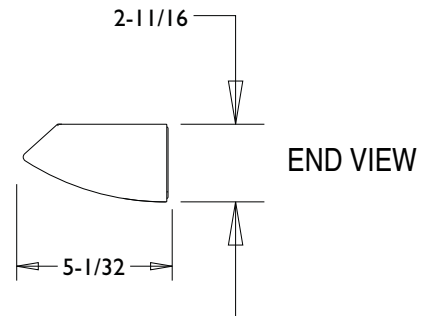
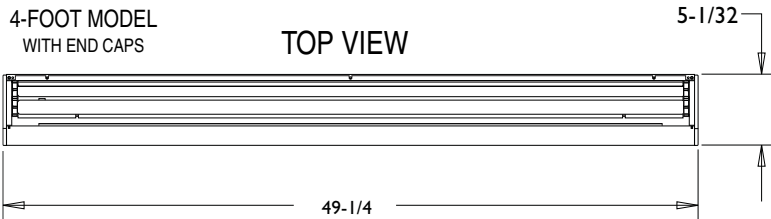
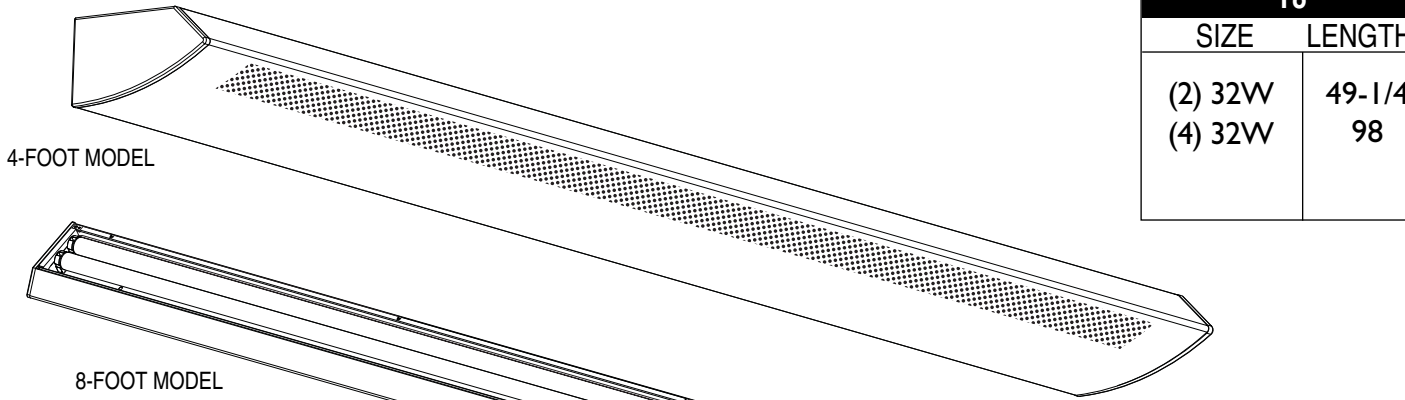


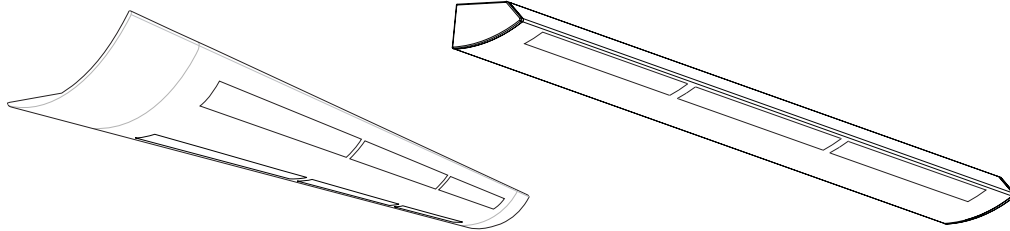
T8	
SIZE	LENGTH
(2) 32W	49-1/4
(4) 32W	98



CORONET, INC. RESERVES THE RIGHT TO MAKE ANY DESIGN CHANGES FOR CONTINUOUS IMPROVEMENT WHICH WILL NOT AFFECT THE OVERALL APPEARANCE OR PERFORMANCE. ALL FIXTURES TO BE WIRED BY CERTIFIED ELECTRICIAN ONLY.

WARNING: RISK OF FIRE AND ELECTRICAL SHOCK. FIXTURE MUST BE INSTALLED BY A QUALIFIED ELECTRICIAN ONLY IN ACCORDANCE WITH NATIONAL LOCAL BUILDING AND ELECTRICAL CODES. DISCONNECT POWER AT ELECTRICAL PANEL BEFORE SERVICING.

PAINTING PROCEDURES FOR SUSPENDED & WALL MOUNT LINEAR FIXTURES



SEND THESE PROCEDURES WITH FIXTURES TO THE PAINTER

PROCEDURES:

1. Make sure end caps are mounted to the body before painting.
2. If no end caps are needed, make sure you mask off the outside face of the joiner before painting. This will assure a good fit between joiners.
3. Make sure the painter is aware that the body is steel and the end cap and joiner are aluminum cast.
4. The painter should check the gap between the end cap and joiner to make sure there is a good fit and that there are no gaps before painting. Close gaps by pushing the end cap towards the body.

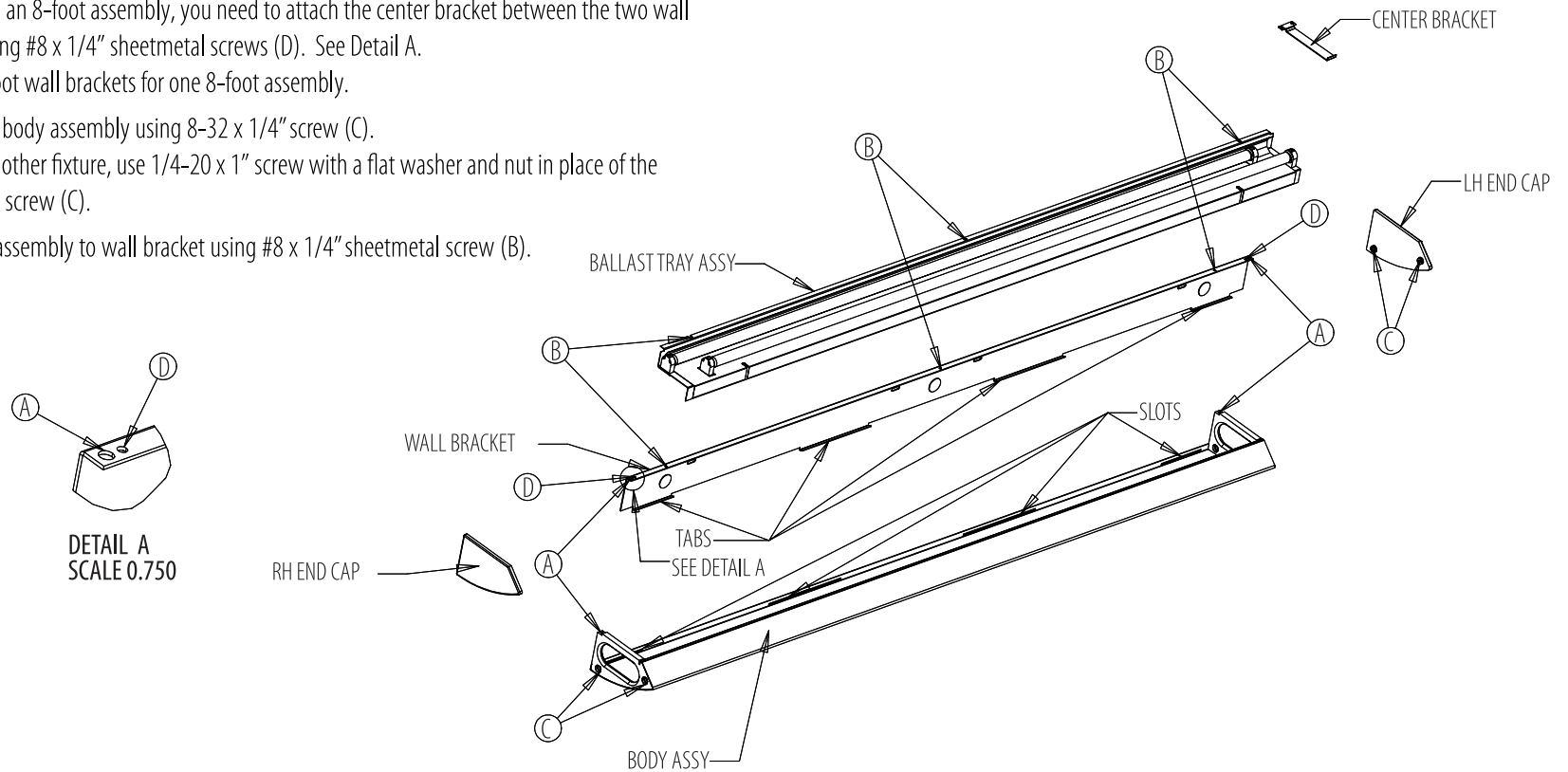
CORONET, INC. RESERVES THE RIGHT TO MAKE ANY DESIGN CHANGES FOR CONTINUOUS IMPROVEMENT WHICH WILL NOT AFFECT THE OVERALL APPEARANCE OR PERFORMANCE.
ALL FIXTURES TO BE WIRED BY CERTIFIED ELECTRICIAN ONLY.

ASSEMBLY INSTRUCTIONS

1. Mount wall bracket to wall using a level or laser making sure bracket is level.
NOTE: If running consecutive fixtures, mount wall brackets butting up to each other.
Use two wall brackets for one 8-foot fixture.
2. Mount body assembly to wall bracket by inserting slots into tabs on wall bracket. Attach body assembly using #8 x 1/4 self-tapping screw (A). See Detail A (two 4-foot wall brackets for one 8-foot assembly).
NOTE: When using an 8-foot assembly, you need to attach the center bracket between the two wall brackets using #8 x 1/4" sheetmetal screws (D). See Detail A.
Use (2) 4-foot wall brackets for one 8-foot assembly.
3. Attach end caps to body assembly using 8-32 x 1/4" screw (C).
NOTE: If joining another fixture, use 1/4-20 x 1" screw with a flat washer and nut in place of the 8-32 x 1/4" screw (C).
4. Install ballast tray assembly to wall bracket using #8 x 1/4" sheetmetal screw (B).

HARDWARE LIST (by others)

- (A) #8 x 1/4 Self Tapping Screw (2 pcs.)
- (B) #8 x 1/4 Sheetmetal Screw (3 pcs.)
- (C) 8-32 x 1/4 Machine Screw (used with end caps) (2 pcs.)
- * (C) 1/4- 20 X 1 with Flat Washer & Nut (Attaching Fixture) (2 Pcs)
- (D) #8 x 1/4 Sheetmetal Screw (2 Pcs.)



CORONET, INC. RESERVES THE RIGHT TO MAKE ANY DESIGN CHANGES FOR CONTINUOUS IMPROVEMENT WHICH WILL NOT AFFECT THE OVERALL APPEARANCE OR PERFORMANCE. ALL FIXTURES TO BE WIRED BY CERTIFIED ELECTRICIAN ONLY.



WARNING: RISK OF FIRE AND ELECTRICAL SHOCK. FIXTURE MUST BE INSTALLED BY A QUALIFIED ELECTRICIAN ONLY IN ACCORDANCE WITH NATIONAL LOCAL BUILDING AND ELECTRICAL CODES. DISCONNECT POWER AT ELECTRICAL PANEL BEFORE SERVICING.

ASSEMBLY INSTRUCTIONS

1. Mount ballast to the ballast tray.
2. Insert sockets to ballast tray.
3. Mount reflector to ballast tray with #8 x 1/4 sheetmetal screws (2 Pls).
4. Install ballast tray assembly to wall bracket using #8 x 1/4" sheetmetal screw (B).

RECOMMENDED SOCKETS

T5/G5

Stucchi: 268

Vossloh: 108660

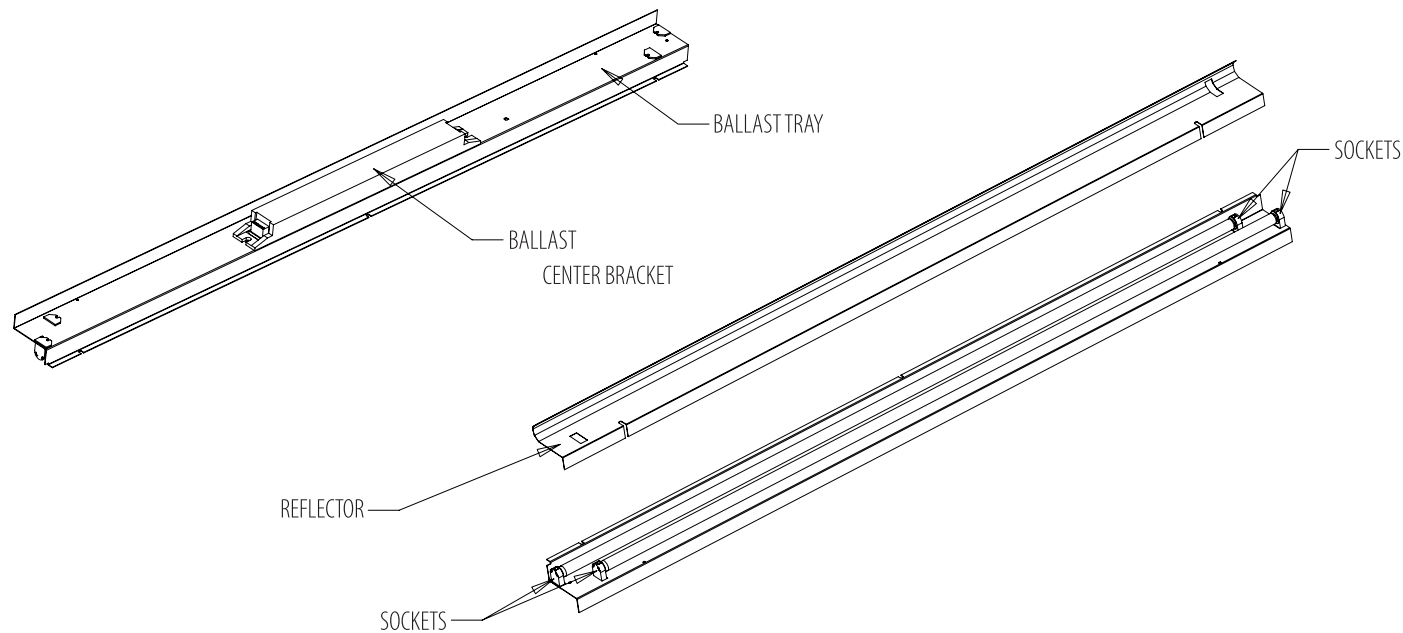
BJB: 26.620.2004.50

ALP: LH150-11

Etlin Daniels: FL622-L

T8

Vossloh: 509138



CORONET, INC. RESERVES THE RIGHT TO MAKE ANY DESIGN CHANGES FOR CONTINUOUS IMPROVEMENT WHICH WILL NOT AFFECT THE OVERALL APPEARANCE OR PERFORMANCE. ALL FIXTURES TO BE WIRED BY CERTIFIED ELECTRICIAN ONLY.



WARNING: RISK OF FIRE AND ELECTRICAL SHOCK. FIXTURE MUST BE INSTALLED BY A QUALIFIED ELECTRICIAN ONLY IN ACCORDANCE WITH NATIONAL LOCAL BUILDING AND ELECTRICAL CODES. DISCONNECT POWER AT ELECTRICAL PANEL BEFORE SERVICING.