

DATE

JOB NAME

TYPE

Features	Applications
<ul style="list-style-type: none"> Ribbed, white acrylic diffuser Uses LED dimmable modules 	<ul style="list-style-type: none"> Stairwells Corridors Bathrooms Utility Rooms

Series	Size	LED System	Color Temp	Voltage	Mounting	Options
FP1 LED	2FT 3FT 4FT	LTG1- Standard LTG2- Low LTG3- High C- Custom Package (Consult Factory)	3000K 3500K 4000K 5000K	120 277 UNV	SM-Surface Mount WB-Wall Bracket	EM-EM Pack DB- Standard 10% Dimming Driver (0-10V) DB1%- 1% Dimming Driver (0-10V) LUTRON 2- Hi-Lume Dimming Driver (1% 2-wire control) LUTRON 3- Hi-Lume Dimming Driver (1% 3-wire control) MS-Motion Sensor AA-Anodized Aluminum Finish CEC-Chrome Ends

Ordering Example: FP1 LED-4FT-LTG2-4000K-UNV-SM-MS

LED System Information

Options:

NOMINAL PACKAGE	NOMINAL SYSTEM WATTS	NOMINAL DELIVERED LUMENS
LTG1 (STANDARD)	18W (per 2ft)	1675Lm (per 2ft)
LTG2 (LOW)	16.5W (per 2ft)	1515Lm (per 2ft)
LTG3 (HIGH)	21W (per 2ft)	1918Lm (per 2ft)

Color Temperature Pro-rate:

CCT	OUTPUT
2700K	93%
3000K	95%
3500K	97%
4000K	100%
5000K	103%

***FOR ANY CUSTOM LED PACKAGE REQUESTS CONSULT FACTORY

Details

Application Features: Specification grade, surface mounted wall luminaire with ribbed white acrylic diffuser. For use in indoor applications where a LED luminaire with a diffuser for low-glare illumination is required. Available in lengths from 18.5" to 48.5".

Construction: Heavy guage steel housing. Sufficient knock-outs provided for convenience outlet and rocker switch.

Finish: White or Bright Anodized Aluminum finish.

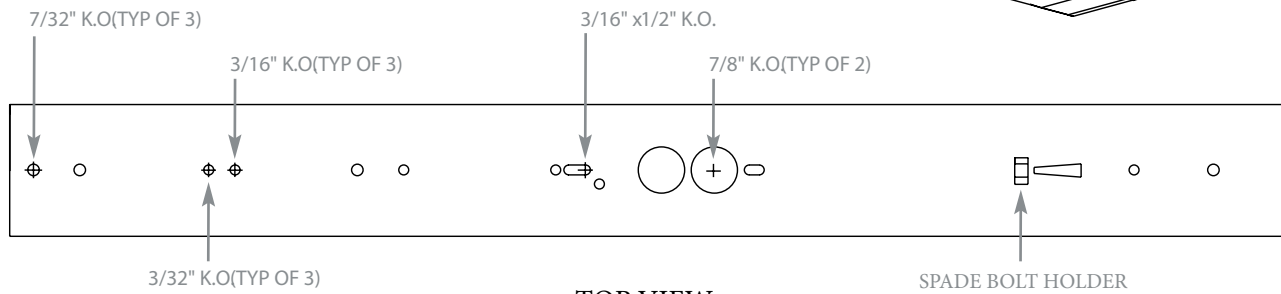
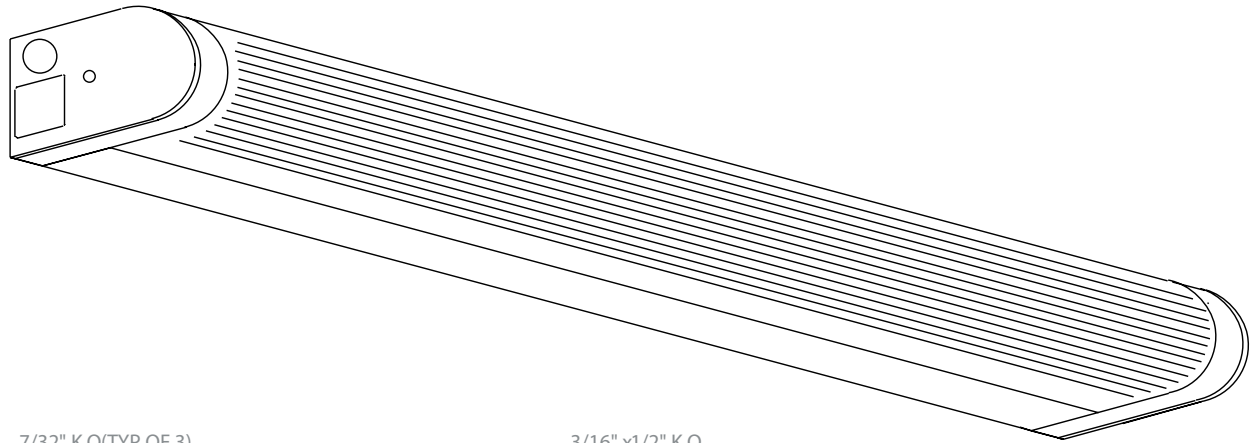
Electrical: Integral Driver.

Approvals: Union made, UL listed, and manufactured in the US.

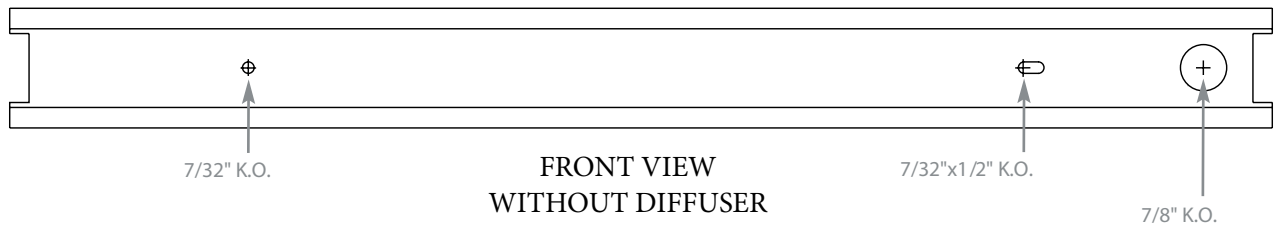
Mounting: Surface mounts over electrical junction box.

Optics: Ribbed, white acrylic diffuser.

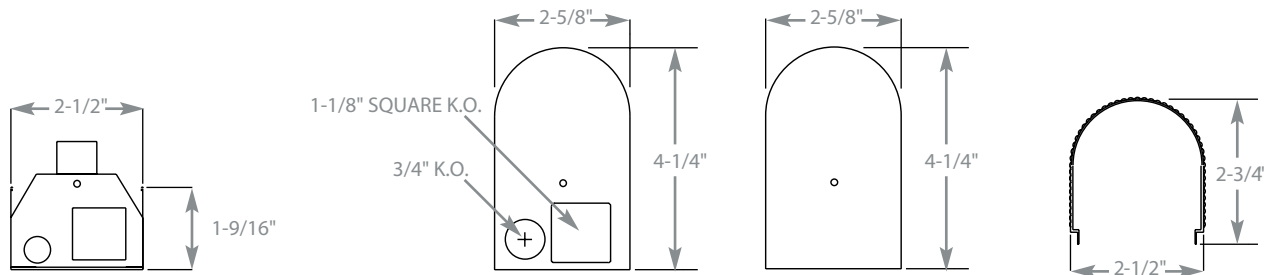
Options: Emergency Battery Backup, Dimming Ballast, Chrome End Caps, Solid End Caps.



TOP VIEW
WITHOUT DIFFUSER



FRONT VIEW
WITHOUT DIFFUSER



END VIEW
WITHOUT PLATE

End Plates
Standard pair has one solid
and one with knock out

Diffuser Only